



Chipsmall Limited consists of a professional team with an average of over 10 year of expertise in the distribution of electronic components. Based in Hongkong, we have already established firm and mutual-benefit business relationships with customers from,Europe,America and south Asia,supplying obsolete and hard-to-find components to meet their specific needs.

With the principle of “Quality Parts,Customers Priority,Honest Operation,and Considerate Service”,our business mainly focus on the distribution of electronic components. Line cards we deal with include Microchip,ALPS,ROHM,Xilinx,Pulse,ON,Everlight and Freescale. Main products comprise IC,Modules,Potentiometer,IC Socket,Relay,Connector.Our parts cover such applications as commercial,industrial, and automotives areas.

We are looking forward to setting up business relationship with you and hope to provide you with the best service and solution. Let us make a better world for our industry!



Contact us

Tel: +86-755-8981 8866 Fax: +86-755-8427 6832

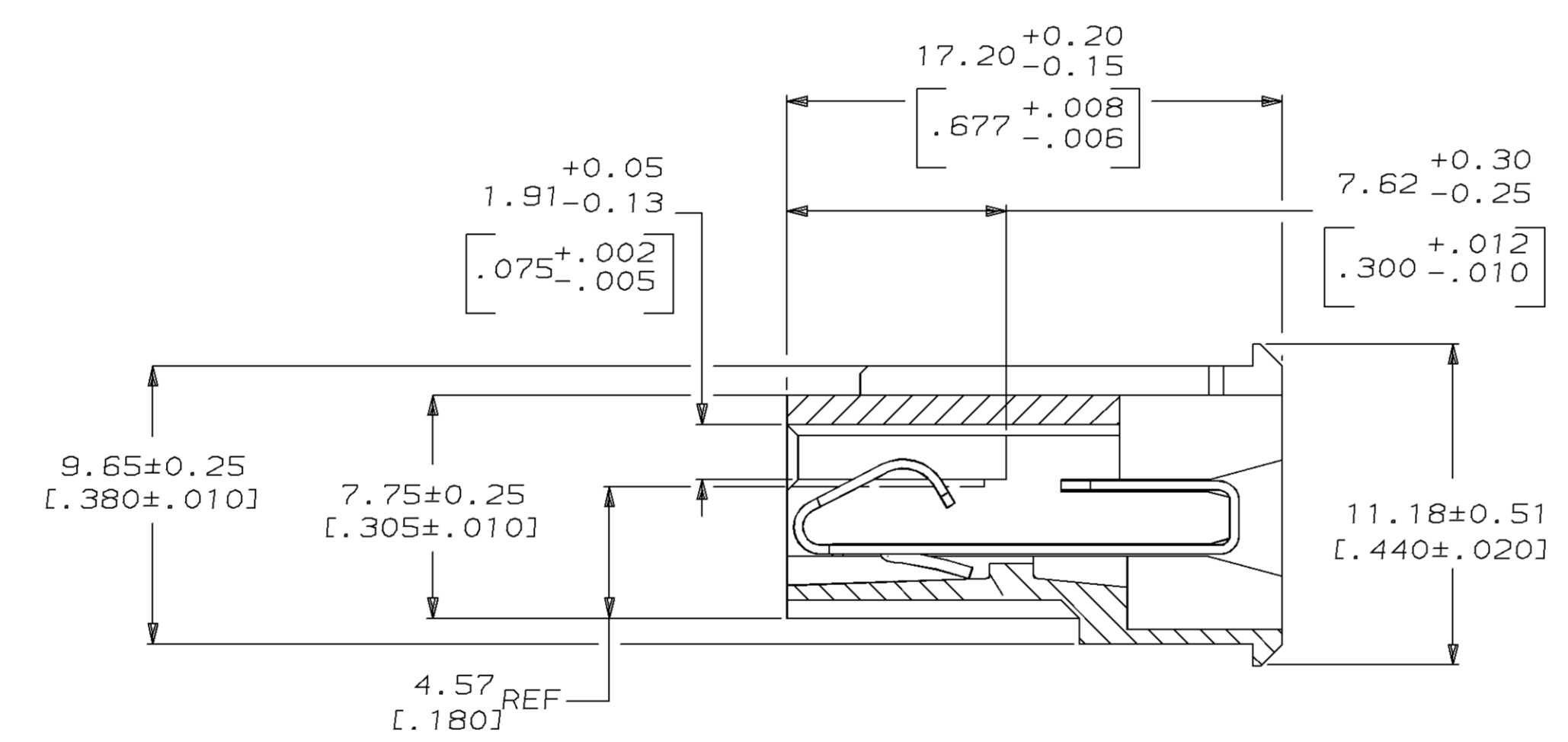
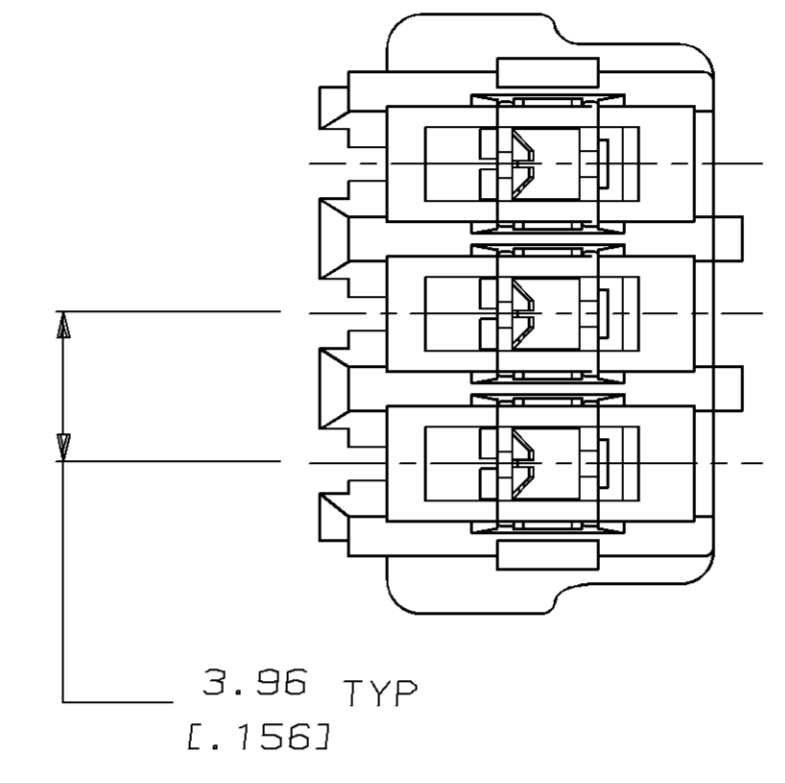
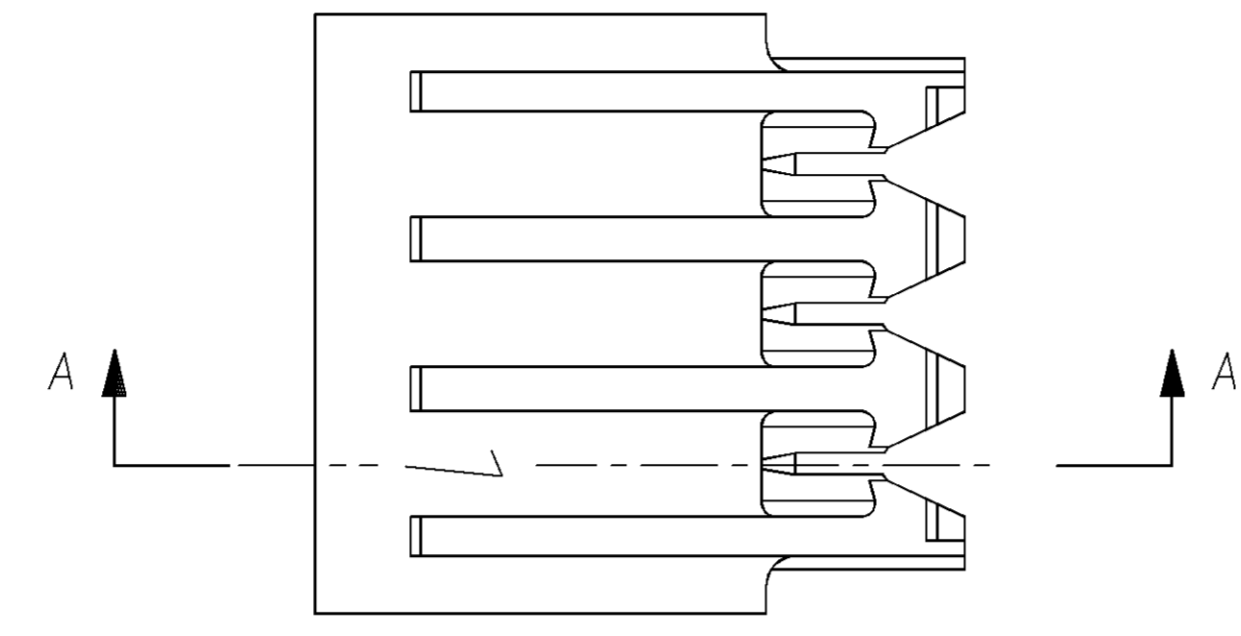
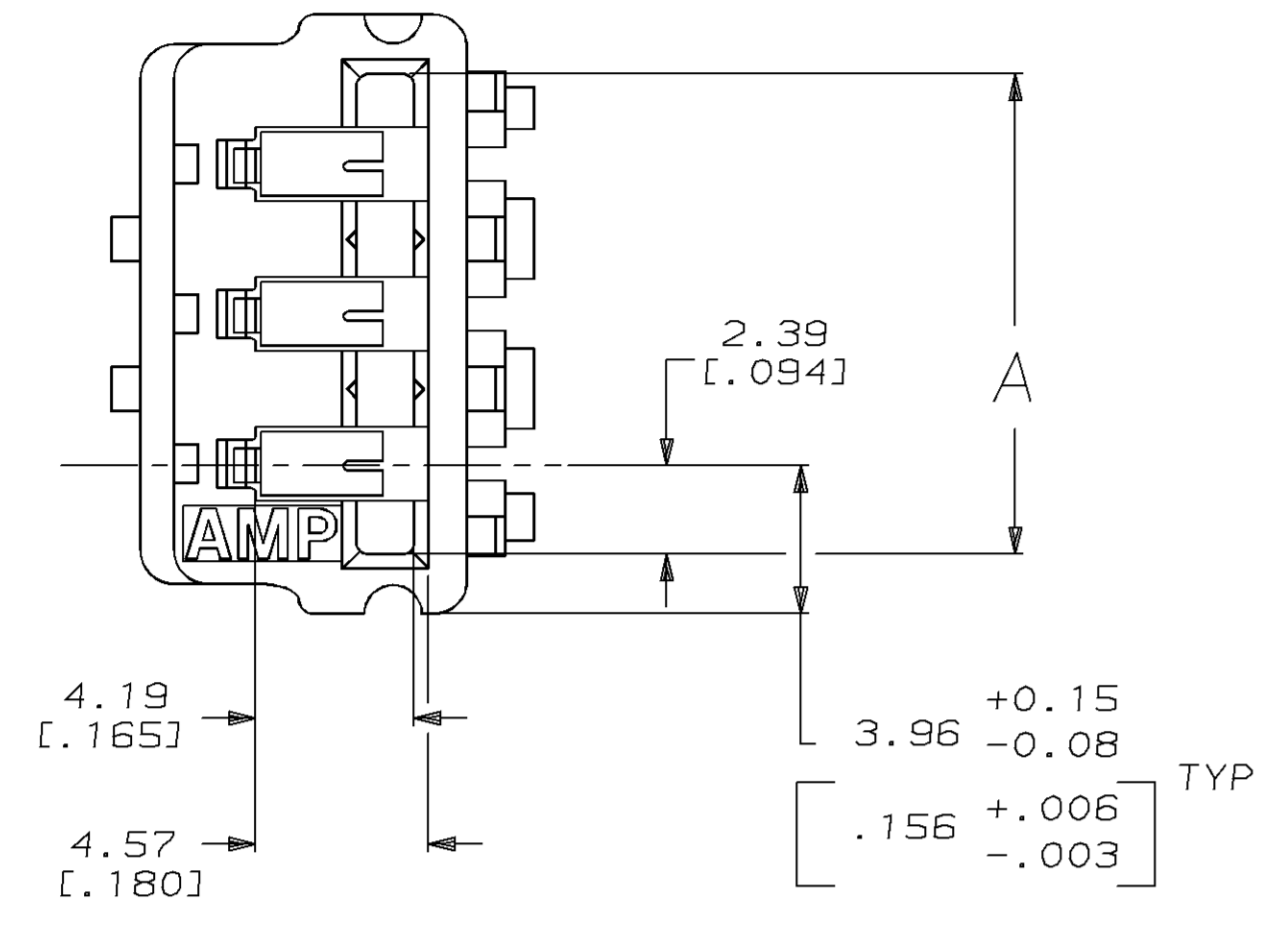
Email & Skype: info@chipsmall.com Web: www.chipsmall.com

Address: A1208, Overseas Decoration Building, #122 Zhenhua RD., Futian, Shenzhen, China

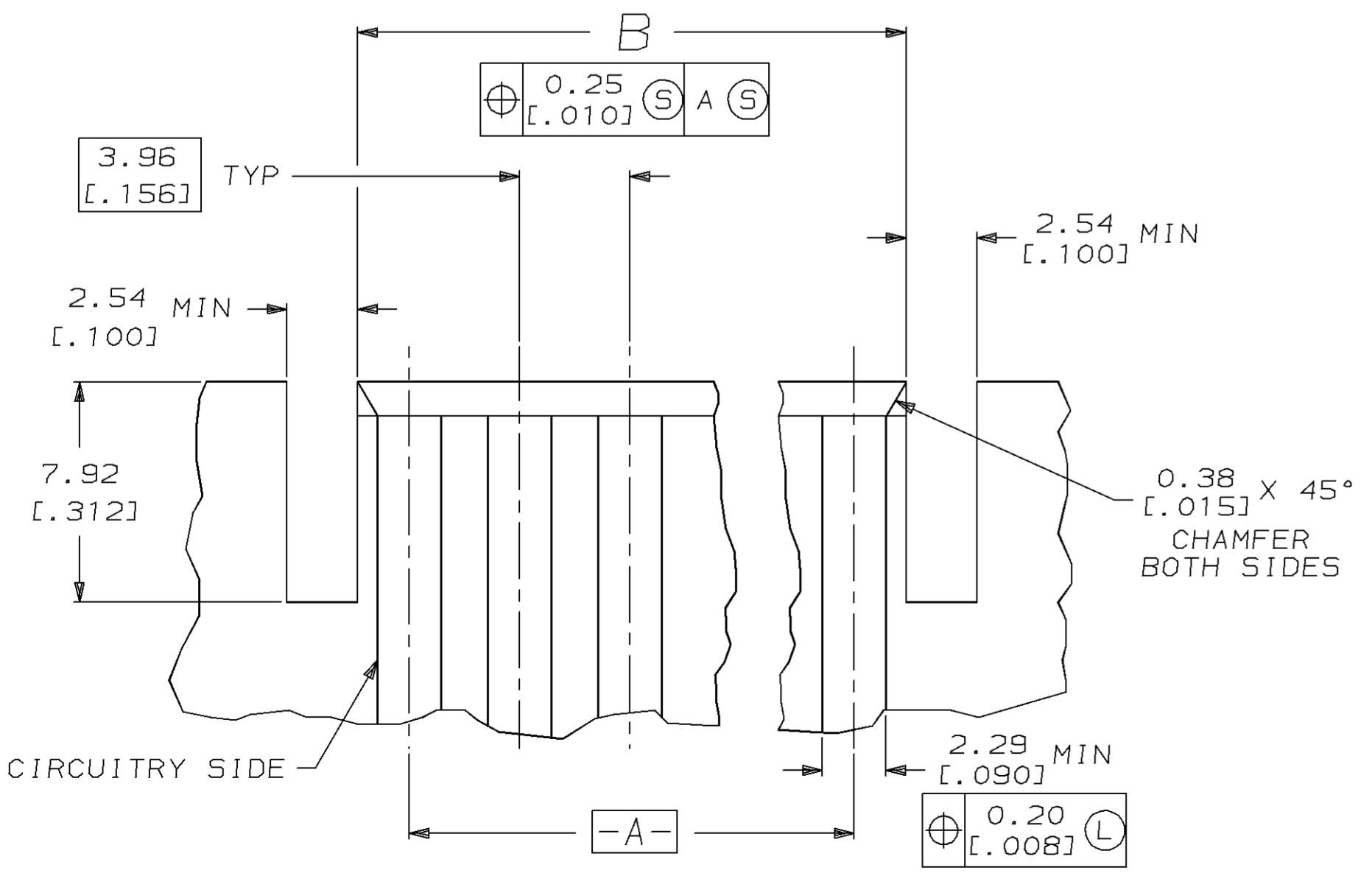


REVISIONS				DATE	APPD
LOC	DIST	P	F	ZONE	LTR
CM	54	P	F		P
DESCRIPTION				6-27-96	BL
OBS 1-6 PER EC 0730-0141-96					RS

- MATERIAL: CONNECTOR- POLYESTER UL94V-0 (ORANGE). CONTACTS- 0.30 [.012] THK COPPER ALLOY (BRIGHT TIN 0.00203 [.000080] MIN THK).
- CONTACT ACCEPT #18 AWG WIRE WITH 2.41 [.095] MAXIMUM INSULATION DIAMETER.
- CONNECTOR MATES WITH 1.57±0.20 [.062±.008] THICK P.C. BOARD.
- HOUSING FEATURES: FEED-THRU, STANDARD MOUTH WITHOUT MOUNTING EARS.
- DIMENSIONS IN BRACKETS ARE IN INCHES.



SECTION A-A



RECOMMENDED P.C. BOARD LAYOUT

95.50 [3.760]	95.91 [3.776]	24	2-641283-4
91.54 [3.604]	91.95 [3.620]	23	2-641283-3
87.58 [3.448]	87.99 [3.464]	22	2-641283-2
83.62 [3.292]	84.02 [3.308]	21	2-641283-1
79.65 [3.136]	80.06 [3.152]	20	2-641283-0
71.73 [2.824]	72.14 [2.840]	18	1-641283-8
59.84 [2.356]	60.25 [2.372]	15	1-641283-5
47.96 [1.888]	48.36 [1.904]	12	1-641283-2
36.07 [1.420]	36.47 [1.436]	9	641283-9
24.18 [.952]	24.59 [.968]	6	641283-6
12.29 [.484]	12.70 [.500]	3	641283-3

DO NOT SCALE PRINT. UNLESS SPECIFIED DIMENSIONS IN mm [INCHES] TOLERANCES ON:		DR 10-29-91 K. SALMON		AMP AMP Incorporated Harrisburg, PA 17105-3608	
1 DIMENSIONS ± 0.13 [.005]		CHK 10-29-91 R. SWING		NAME	
2 ANGLES ± 0.13 [.005]		APPD 10-29-91 G. MILLER		MTA-156	
3 ANGLES ± 0.13 [.005]		APPD 10-29-91 G. MILLER		CARD EDGE CONNECTOR ASSEMBLY, 18 AWG	
MATERIAL		PRODUCT SPEC		NO. OF CIRCUITS	
SEE NOTE 1		-		PART NO	
FINISH		APPLICATION SPEC		SIZE	
SEE NOTE 1		-		D 00779	
WEIGHT		-		CAGE CODE	
-		-		00779	
-		-		DRAWING NO	
-		-		641283	
-		-		SCALE	
-		-		5:1	
-		-		SHEET	
-		-		1 OF 1	

