



Chipsmall Limited consists of a professional team with an average of over 10 year of expertise in the distribution of electronic components. Based in Hongkong, we have already established firm and mutual-benefit business relationships with customers from,Europe,America and south Asia,supplying obsolete and hard-to-find components to meet their specific needs.

With the principle of “Quality Parts,Customers Priority,Honest Operation,and Considerate Service”,our business mainly focus on the distribution of electronic components. Line cards we deal with include Microchip,ALPS,ROHM,Xilinx,Pulse,ON,Everlight and Freescale. Main products comprise IC,Modules,Potentiometer,IC Socket,Relay,Connector.Our parts cover such applications as commercial,industrial, and automotives areas.

We are looking forward to setting up business relationship with you and hope to provide you with the best service and solution. Let us make a better world for our industry!



Contact us

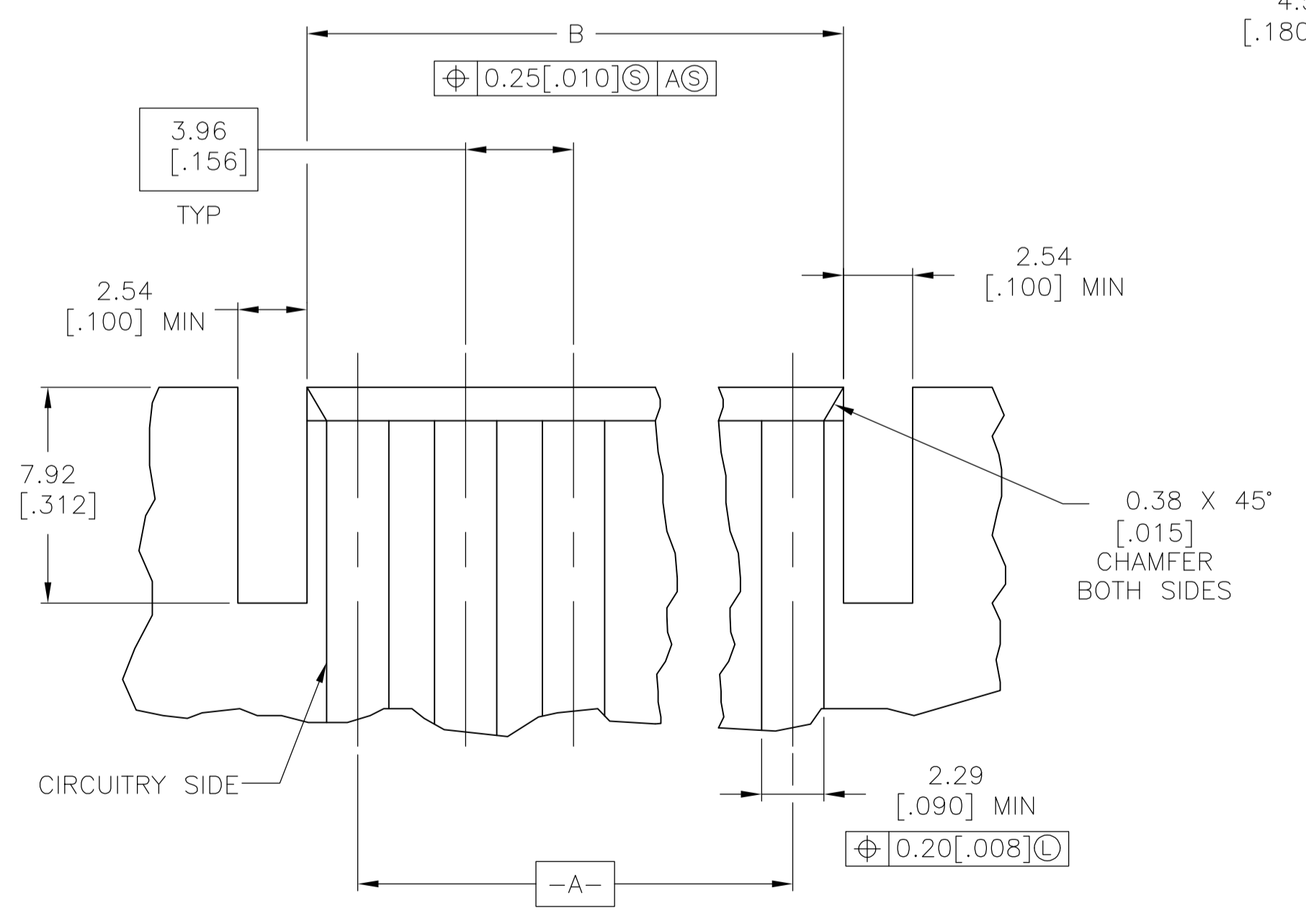
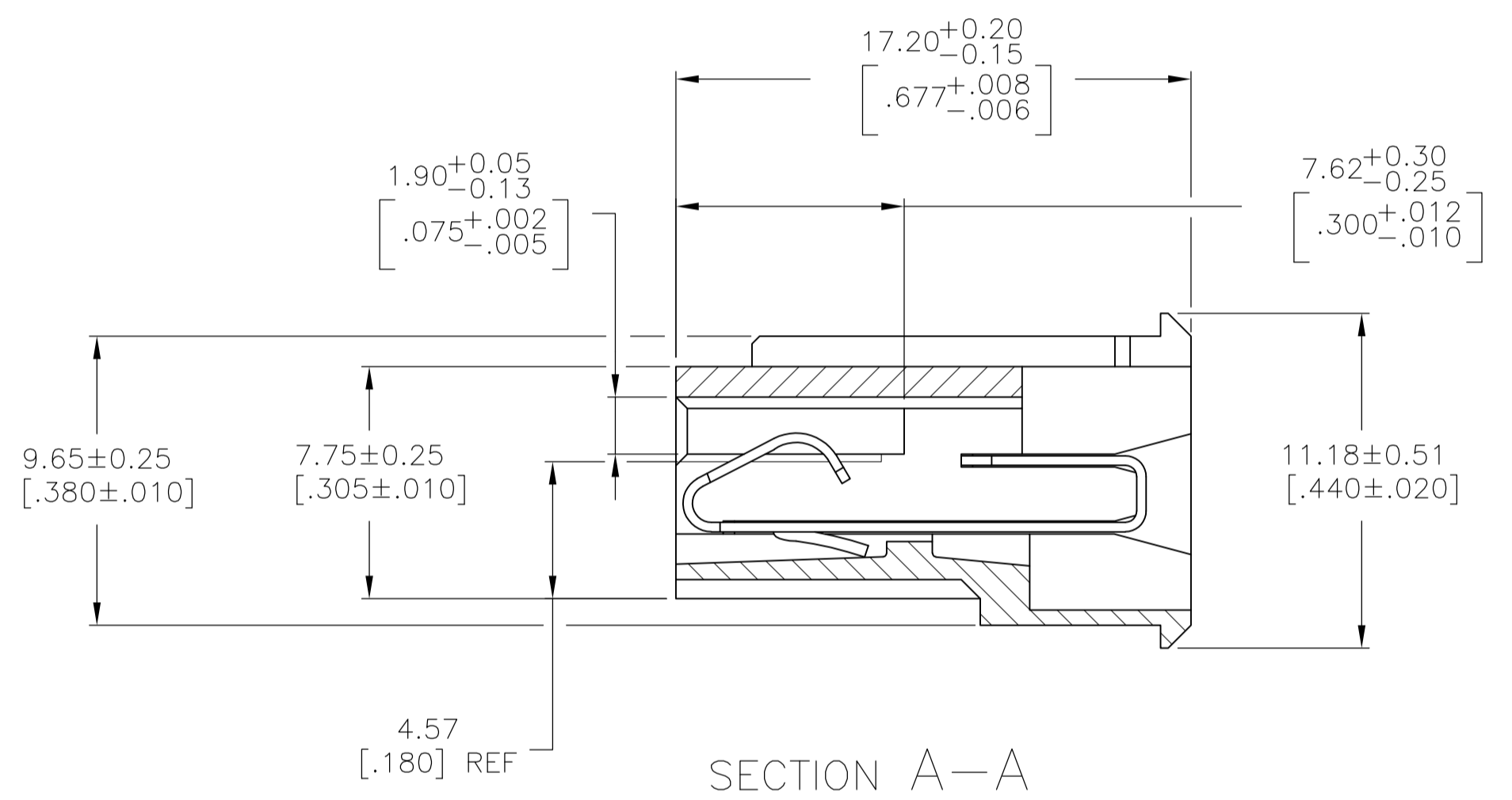
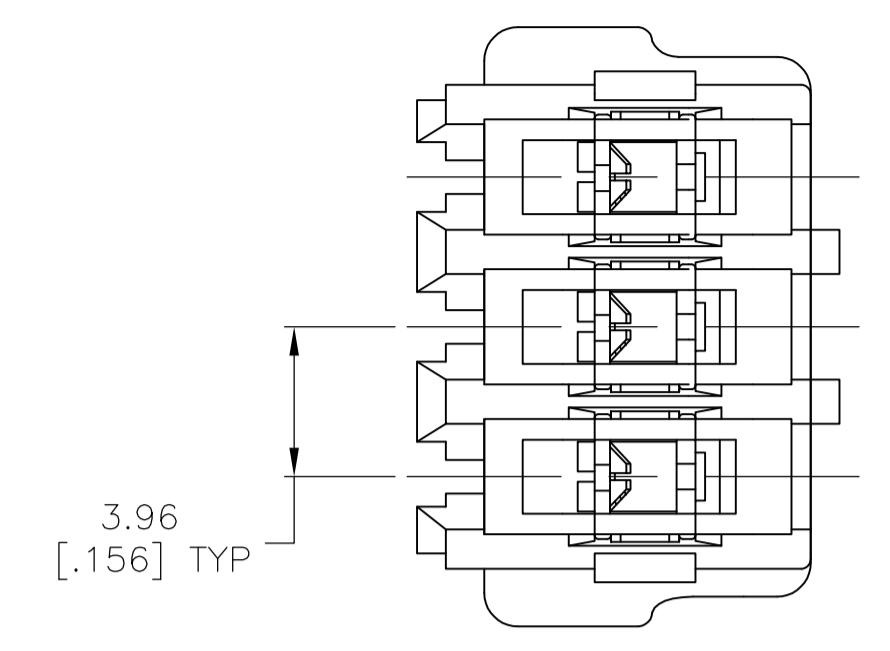
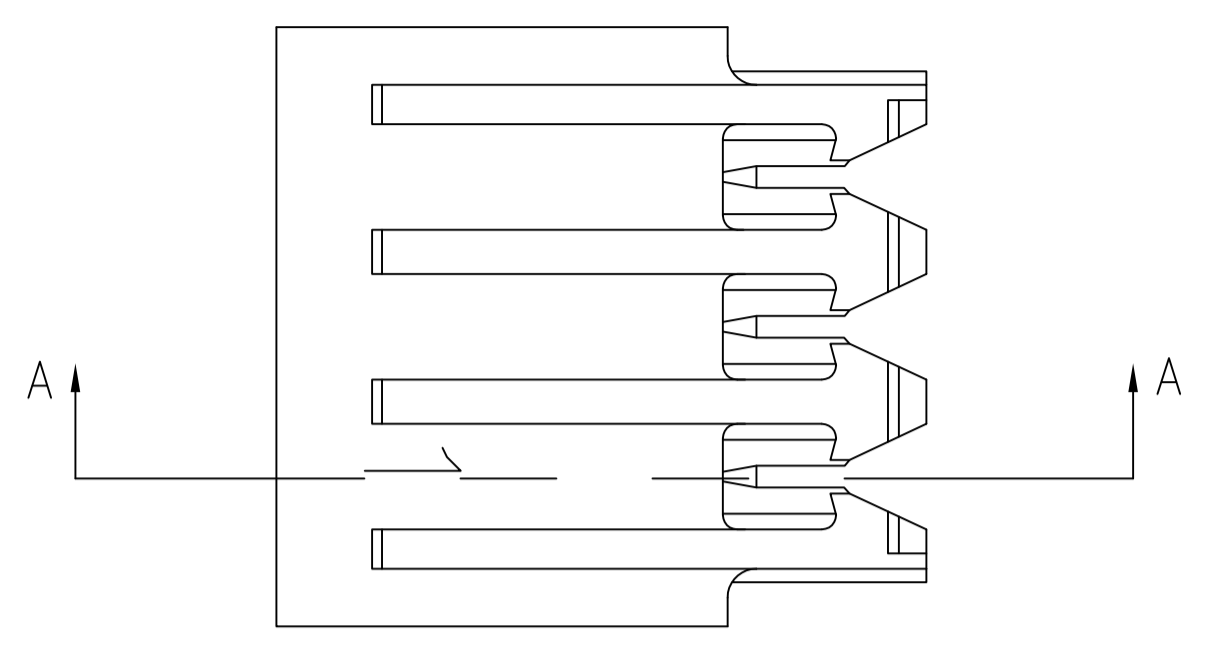
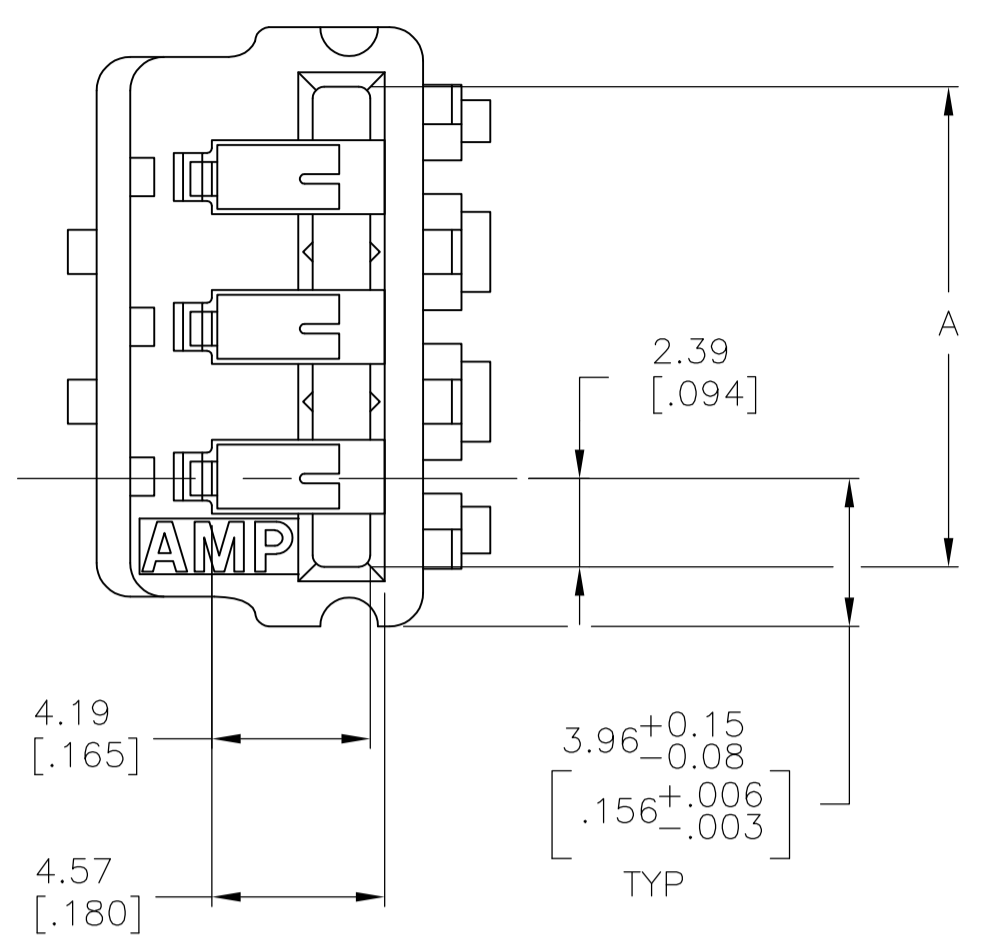
Tel: +86-755-8981 8866 Fax: +86-755-8427 6832

Email & Skype: info@chipsmall.com Web: www.chipsmall.com

Address: A1208, Overseas Decoration Building, #122 Zhenhua RD., Futian, Shenzhen, China



LOC		DIST		REVISIONS			
CM	0	P	LTR	DESCRIPTION	DATE	DMN	APVD
		R		ECO-07-012898	27JUN07	KW	DB
		R1		REVISED PER ECO-09-021510	16SEP09	KK	AEG



- MATERIAL:
CONNECTOR: POLYESTER UL94V-0 (YELLOW).
CONTACTS: 0.30[.012] THK COPPER ALLOY.
 - CONTACT ACCEPT #20 AWG WIRE WITH 2.41[.095] MAXIMUM INSULATION DIAMETER.
 - CONNECTOR MATES WITH 1.57±0.20[.062±0.008] THICK PC BOARD.
 - HOUSING FEATURES: FEED-THRU, STANDARD MOUTH WITHOUT MOUNTING EARS.
- △5 CONTACT FINISH: BRIGHT TIN-LEAD 0.00203[.000080] MIN THK.
 △6 CONTACT FINISH: MATTE WHISKER MITIGATED TIN 0.00203[.000080] MIN THICKNESS OVER NICKEL UNDERPLATE.
 △ OBSOLETE PARTS: OBSOLETE CIS STREAMLINING PER D.RENAUD/D.SINISI

△6	95.50 [3.760]	95.91 [3.776]	24	5-641284-4
	91.54 [3.604]	91.95 [3.620]	23	5-641284-3
	87.58 [3.448]	87.99 [3.464]	22	5-641284-2
	83.62 [3.292]	84.02 [3.308]	21	5-641284-1
	79.65 [3.136]	80.06 [3.152]	20	5-641284-0
	71.73 [2.824]	72.14 [2.840]	18	4-641284-8
	59.84 [2.356]	60.25 [2.372]	15	4-641284-5
	47.96 [1.888]	48.36 [1.904]	12	4-641284-2
	36.07 [1.420]	36.47 [1.436]	9	3-641284-9
	24.18 [.952]	24.59 [.968]	6	3-641284-6
12.29 [.484]	12.70 [.500]	3	3-641284-3	
△5	95.50 [3.760]	95.91 [3.776]	24	2-641284-4
	91.54 [3.604]	91.95 [3.620]	23	2-641284-3
	87.58 [3.448]	87.99 [3.464]	22	2-641284-2
	83.62 [3.292]	84.02 [3.308]	21	2-641284-1
	79.65 [3.136]	80.06 [3.152]	20	2-641284-0
	71.73 [2.824]	72.14 [2.840]	18	1-641284-8
	59.84 [2.356]	60.25 [2.372]	15	1-641284-5
	47.96 [1.888]	48.36 [1.904]	12	1-641284-2
	36.07 [1.420]	36.47 [1.436]	9	641284-9
	24.18 [.952]	24.59 [.968]	6	641284-6
12.29 [.484]	12.70 [.500]	3	641284-3	
CONTACT FINISH	B	A	NO. OF CIRCUITS	PART NUMBER

SUPERCEDED

METRIC

THIS DRAWING IS A CONTROLLED DOCUMENT. DIMENSIONS: mm [INCHES]. TOLERANCES UNLESS OTHERWISE SPECIFIED: 0 PLC ± -, 1 PLC ± -, 2 PLC ± 0.13 [.005], 3 PLC ± -, 4 PLC ± -. ANGLES ± -.

THIS DRAWING IS A CONTROLLED DOCUMENT. DIM: K. SALMON 29OCT91, CHK: R. SWING 29OCT91, APVD: -. Tyco Electronics Corporation, Harrisburg, PA 17105-3608. Tyco Electronics. PRODUCT SPEC: MTA-156 CARD EDGE CONNECTOR ASSEMBLY, 20 AWG. APPLICATION SPEC: -. SIZE: A1, CAGE CODE: 00779, DRAWING NO: 641284, WEIGHT: -. RESTRICTED TO: -. CUSTOMER DRAWING. SCALE: 5:1, SHEET: 1 OF 1, REV: R1.