



Chipsmall Limited consists of a professional team with an average of over 10 year of expertise in the distribution of electronic components. Based in Hongkong, we have already established firm and mutual-benefit business relationships with customers from,Europe,America and south Asia,supplying obsolete and hard-to-find components to meet their specific needs.

With the principle of "Quality Parts,Customers Priority,Honest Operation,and Considerate Service",our business mainly focus on the distribution of electronic components. Line cards we deal with include Microchip,ALPS,ROHM,Xilinx,Pulse,ON,Everlight and Freescale. Main products comprise IC,Modules,Potentiometer,IC Socket,Relay,Connector.Our parts cover such applications as commercial,industrial, and automotives areas.

We are looking forward to setting up business relationship with you and hope to provide you with the best service and solution. Let us make a better world for our industry!



Contact us

Tel: +86-755-8981 8866 Fax: +86-755-8427 6832

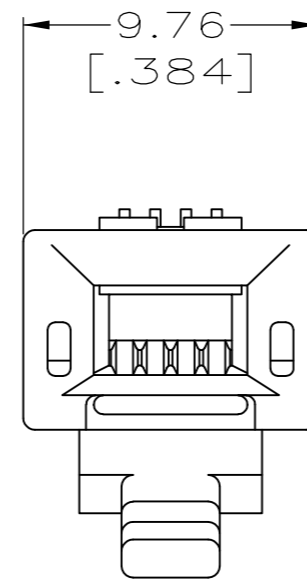
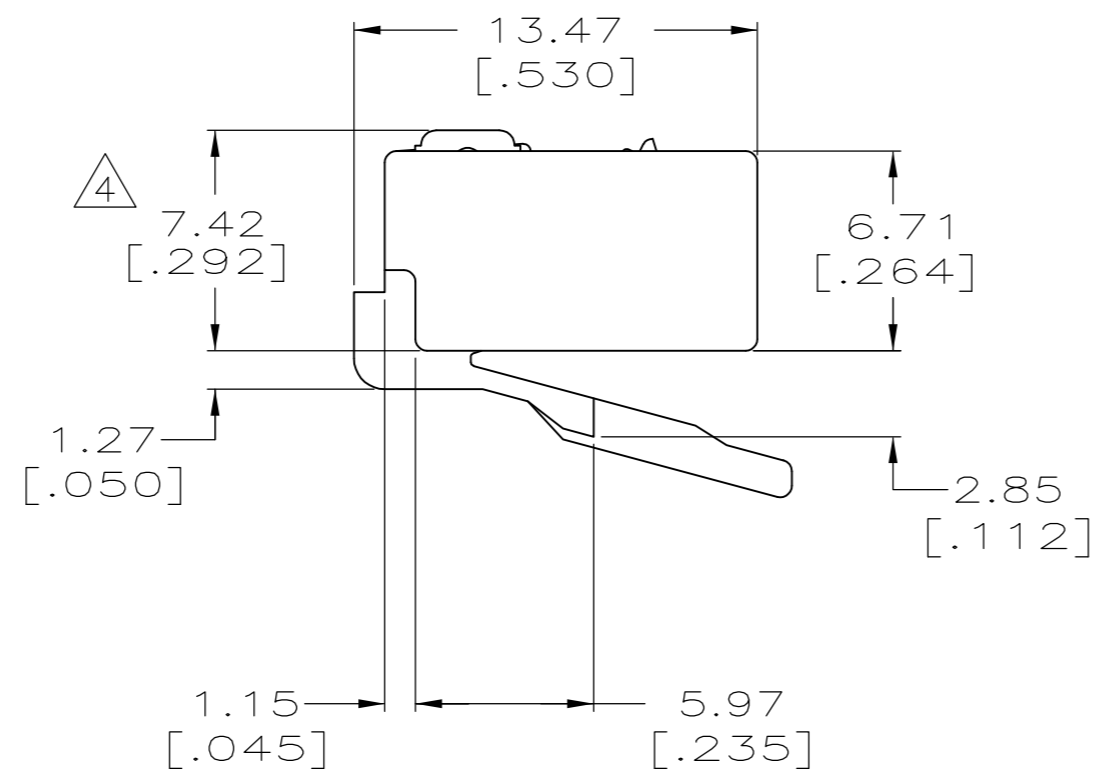
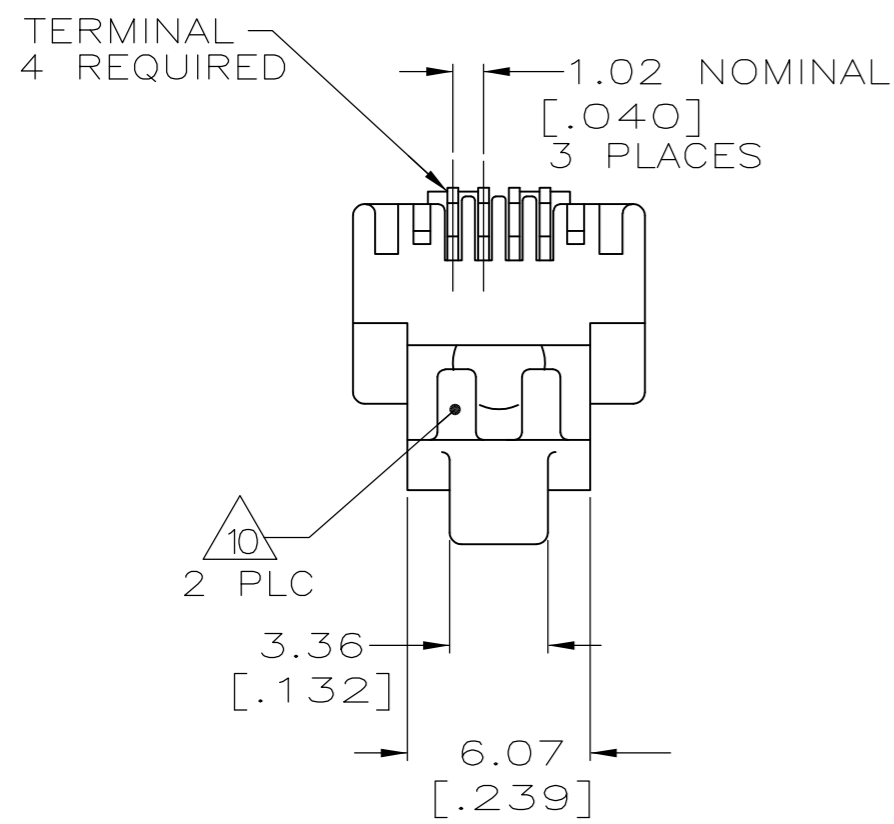
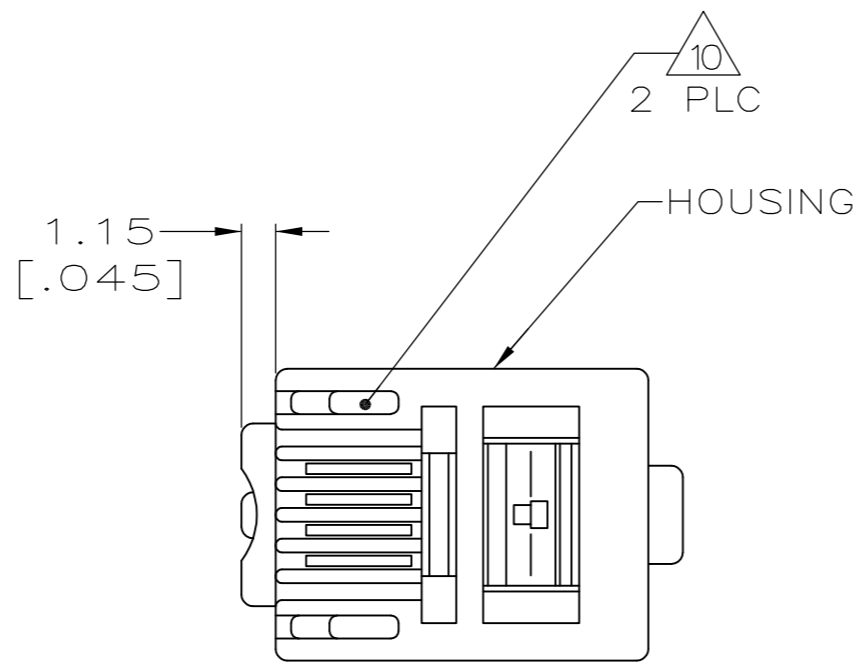
Email & Skype: info@chipsmall.com Web: www.chipsmall.com

Address: A1208, Overseas Decoration Building, #122 Zhenhua RD., Futian, Shenzhen, China



THIS DRAWING IS UNPUBLISHED. RELEASED FOR PUBLICATION
 © COPYRIGHT - By - ALL RIGHTS RESERVED.

LOC	DIST	REVISIONS			
P	LTR	DESCRIPTION	DATE	DWN	APVD
HM	00	Z	REV PER ECO-12-012918	09JUL2012	JM JG



- ① DIMENSIONS ARE MAXIMUM UNLESS OTHERWISE SPECIFIED.
- ② MATERIAL: HOUSING-POLYCARBONATE,CLEAR. TERMINAL-0.36[.014] THICK PHOSPHOR BRONZE PLATED WITH 1.27μm[.000050] THICK GOLD IN LOCALIZED GOLD PLATE AREA, OVER 2.54μm[.000100] THICK NICKEL UNDERPLATE.
- 3. PLUG WILL ACCEPT 26 OR 28 AWG STRANDED WIRE HAVING A MAXIMUM INSULATION DIAMETER OF 0.99[.039] AND A MAXIMUM DIAMETER ROUND CABLE JACKET OF 2.54 [.100] OR OVAL CABLE JACKET OF 2.29 x 4.83[.090 x .190] MAXIMUM.
- ④ TERMINATED DIMENSION 6.15[.242] MAXIMUM.
- ⑤ 10 ASSEMBLIES PER PACKAGE.
- ⑥ 10,000 ASSEMBLES PER PACKAGE.
- ⑦ 1000 ASSEMBLIES PER PACKAGE.
- ⑧ 100 ASSEMBLIES PER PACKAGE.
- ⑩ REELED PRODUCT ON STRIP DOES NOT HAVE VOID CORING ILLUSTRATED ON THIS DRAWING.

SUPERSEDED BY 5-641335-7	⑤	6-641335-3
	⑧	5-641335-3
	⑦	5-641335-2
	⑥	5-641335-1
OBSOLETE	REELED ⑩	641335-1
	PACKAGED	PART NO

THIS DRAWING IS A CONTROLLED DOCUMENT.		DWN	YTP/JTA	9-1-93		TE Connectivity			
DIMENSIONS: mm [INCHES]		CHK	C.WHITT	9-15-93		NAME			
TOLERANCES UNLESS OTHERWISE SPECIFIED:		APVD	J.TONEY	9-20-93		PRODUCT SPEC			
0 PLC ± - 1 PLC ± - 2 PLC ± - 3 PLC ± - 4 PLC ± - ANGLES ± - FINISH ± -		APPLICATION SPEC		108-1163		MODULAR PLUG ASSEMBLY, 4 POSITION, LINE			
MATERIAL - ②		WEIGHT -		114-6016	SIZE	CAGE CODE	DRAWING NO	RESTRICTED TO	
CUSTOMER DRAWING		SCALE 4:1		00779	C=641335		SHEET 1 of 1		
							REV Z		