



Chipsmall Limited consists of a professional team with an average of over 10 year of expertise in the distribution of electronic components. Based in Hongkong, we have already established firm and mutual-benefit business relationships with customers from,Europe,America and south Asia,supplying obsolete and hard-to-find components to meet their specific needs.

With the principle of “Quality Parts,Customers Priority,Honest Operation,and Considerate Service”,our business mainly focus on the distribution of electronic components. Line cards we deal with include Microchip,ALPS,ROHM,Xilinx,Pulse,ON,Everlight and Freescale. Main products comprise IC,Modules,Potentiometer,IC Socket,Relay,Connector.Our parts cover such applications as commercial,industrial, and automotives areas.

We are looking forward to setting up business relationship with you and hope to provide you with the best service and solution. Let us make a better world for our industry!



Contact us

Tel: +86-755-8981 8866 Fax: +86-755-8427 6832

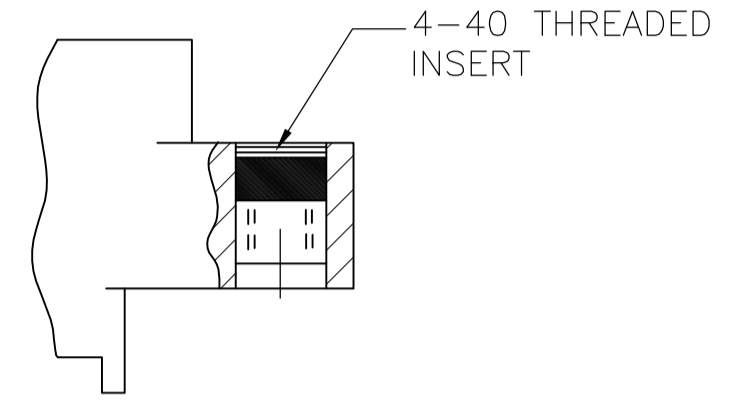
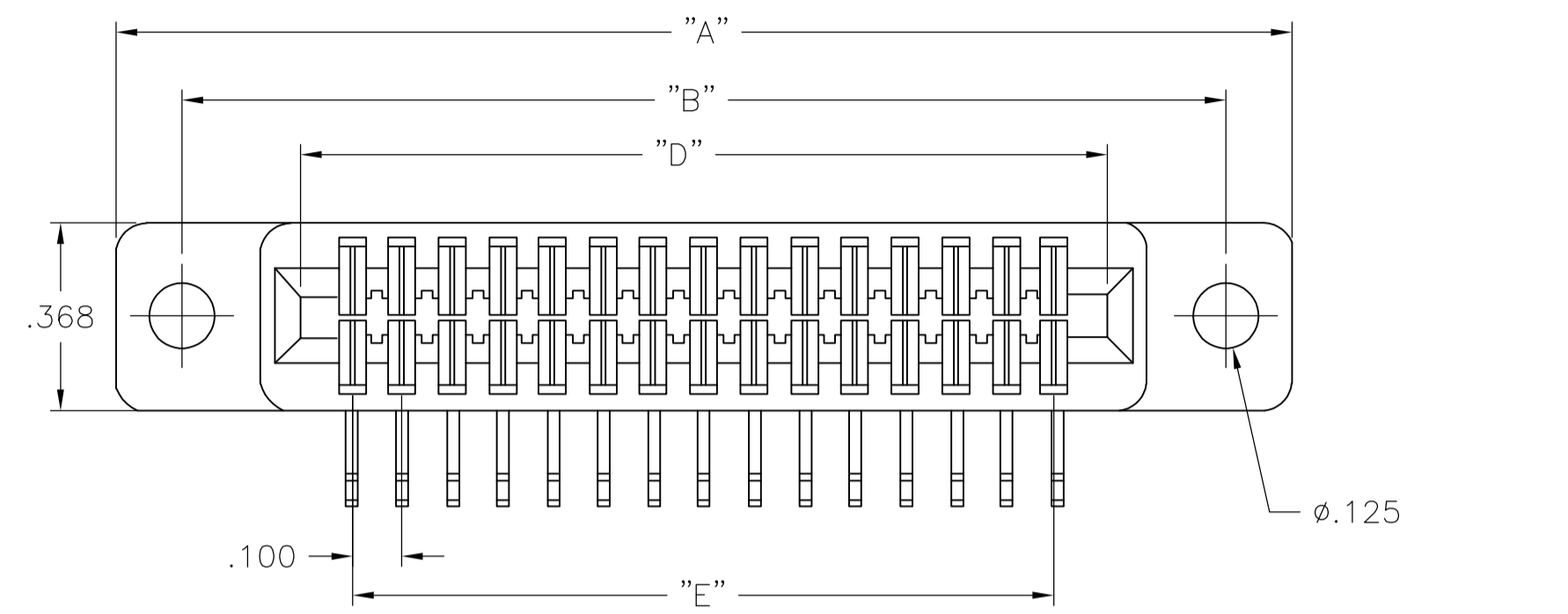
Email & Skype: info@chipsmall.com Web: www.chipsmall.com

Address: A1208, Overseas Decoration Building, #122 Zhenhua RD., Futian, Shenzhen, China

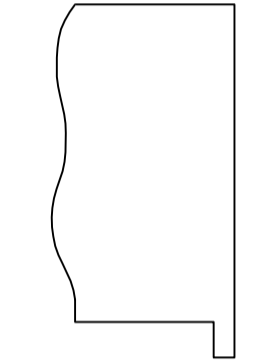
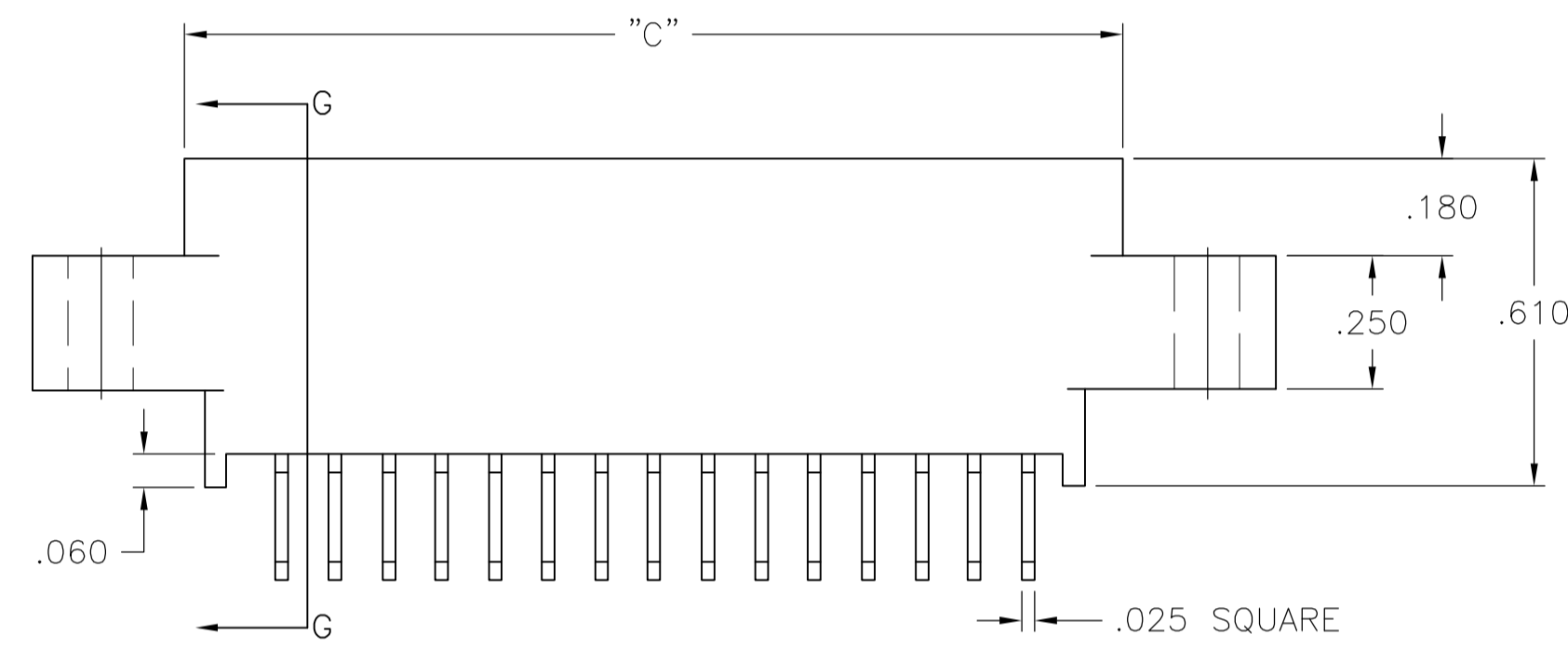


REVISONS		DATE	BY	APP'D
A2	REVISED PER ECO-12-019334	08NOV12	KH	AS

PHYSICAL PROPERTIES	
INSULATION MATERIAL	GLASS FILLED THERMOPLASTIC RATED 94V-0
COLOR	BLACK
CONTACT MATERIAL	HIGH STRENGTH COPPER ALLOY
CONTACT PLATING	MATING AREA - GOLD OVER NICKEL TAIL AREA - TIN/LEAD
ELECTRICAL PROPERTIES	
CURRENT RATING	3 AMPERES
INSULATION RESISTANCE	5000 MEGOHMS MINIMUM
DIELECTRIC STRENGTH	600 VDC AT SEA LEVEL
ENVIRONMENTAL PROPERTIES	
TEMPERATURE RATING	-40°C TO +100°C
MECHANICAL PROPERTIES	
MATING FORCES	8 OZ/PAIR MAX.
UNMATING FORCES	2 OZ/PAIR MAX.

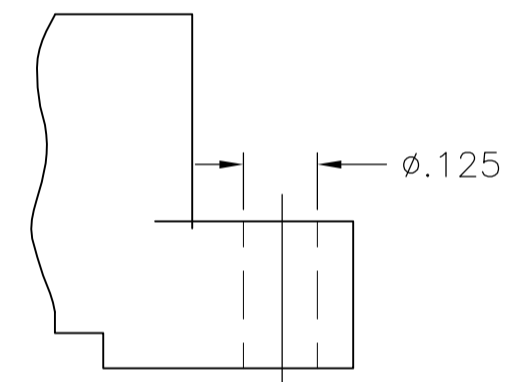


MOUNTING STYLE "B"

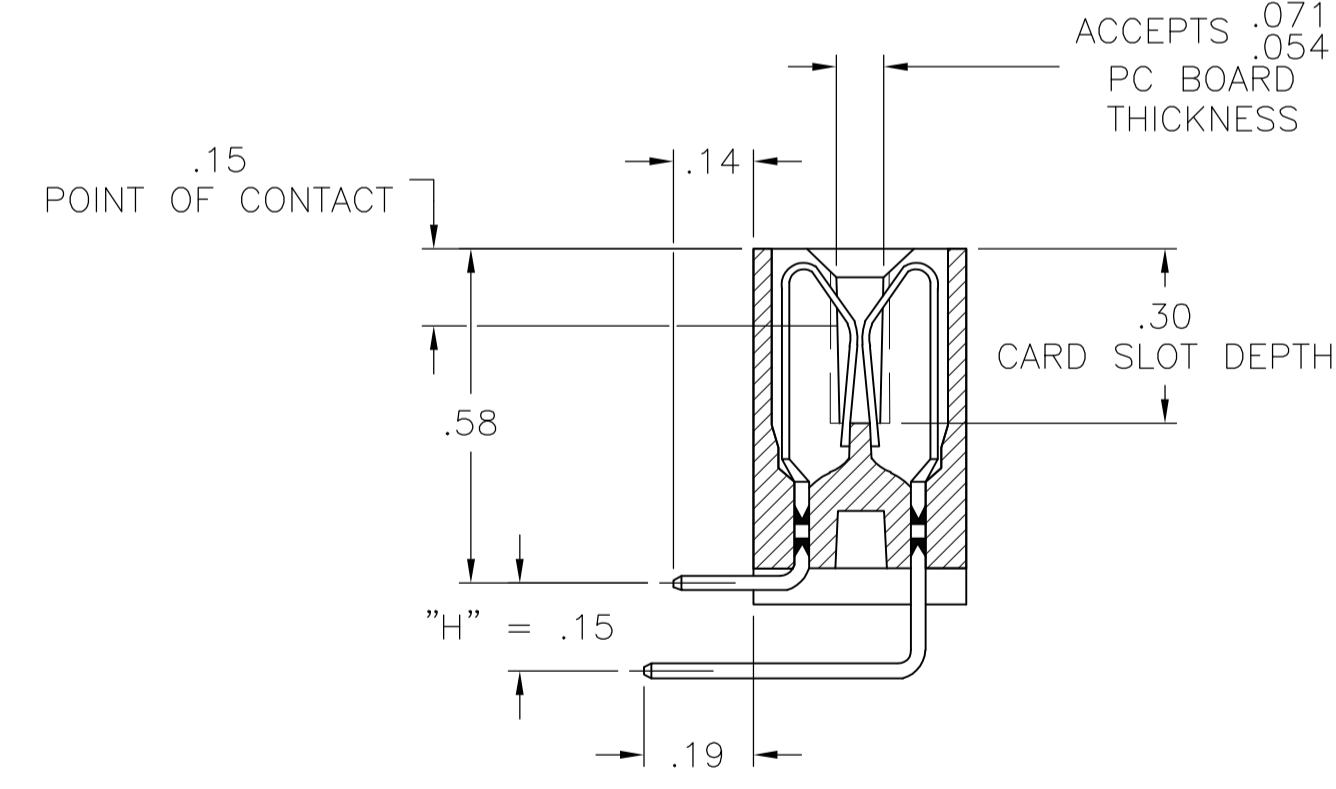


MOUNTING STYLE "C"

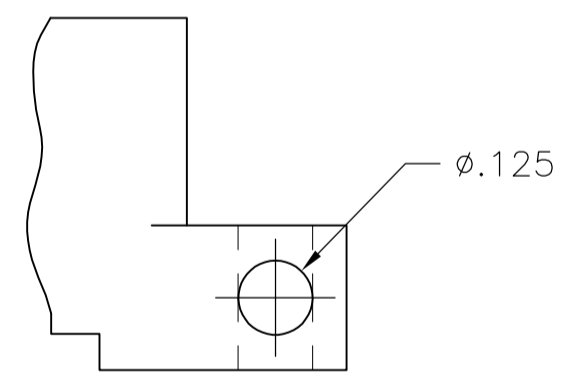
MOUNTING STYLE "A" 15 POSITION ILLUSTRATED (ADDITIONAL MOUNTING STYLES ARE SHOWN)



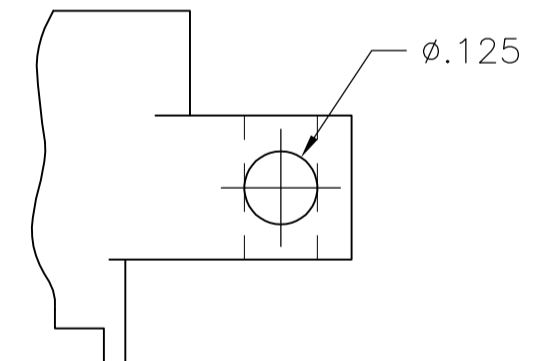
MOUNTING STYLE "D"



SECTION G-G



MOUNTING STYLE "F"



MOUNTING STYLE "E"

CATALOG NUMBER CODE DESCRIPTION

A8 D ** RA 29 * M233

SERIES DESIGNATOR (.100 CENTER LINE)

DOUBLE READOUT

NUMBER OF CONTACT ROWS
10,12,15,18,20,22,25,28,30,31,35,36,40,43,44,50,60,65

TERMINATION STYLE (RIGHT ANGLE DIP SOLDER)

CONTACT PLATING (GOLD/TIN PLATE)

SPECIAL OR CUSTOMER MODIFICATION
"M" FOLLOWED BY THREE DIGIT
FACTORY ASSIGNED NUMBER

MOUNTING STYLE
A= .125 DIA MOUNTING HOLES
B= 4-40 THREADED INSERTS
C= WITHOUT MOUNTING EARS
D= FLUSH MOUNT/.125 DIA MOUNTING HOLES
E= CROSS-DRILLED STANDARD EAR
F= CROSS-DRILLED FLUSH MOUNT EAR

POLARIZING KEY AVAILABLE: CAT. NO. "96014-01"

NO. OF CONTACT ROWS	NO. OF CONTACTS	DIM "A"	DIM "B"	DIM "C"	DIM "D"	DIM "E"
55	130	7.335	7.075	6.760	6.604	6.400
60	120	6.835	6.575	6.260	6.104	5.900
50	100	5.835	5.575	5.260	5.104	4.900
44	88	5.235	4.975	4.660	4.504	4.300
43	86	5.135	4.875	4.560	4.404	4.200
40	80	4.835	4.575	4.260	4.104	3.900
36	72	4.435	4.175	3.860	3.704	3.500
35	70	4.335	4.075	3.760	3.604	3.400
31	62	3.935	3.675	3.360	3.204	3.000
30	60	3.835	3.575	3.260	3.104	2.900
28	56	3.635	3.375	3.060	2.904	2.700
25	50	3.335	3.075	2.760	2.604	2.400
22	44	3.035	2.775	2.460	2.304	2.100
20	40	2.835	2.575	2.260	2.104	1.900
18	36	2.635	2.375	2.060	1.904	1.700
15	30	2.335	2.075	1.760	1.604	1.400
12	24	2.035	1.775	1.460	1.304	1.100
10	20	1.835	1.575	1.260	1.104	.900

THIS DRAWING IS A CONTROLLED DOCUMENT.

DIMENSIONS: INCHES. TOLERANCES UNLESS OTHERWISE SPECIFIED:

0 PLC	± .005
1 PLC	± .005
2 PLC	± .005
3 PLC	± .005
4 PLC	± .005
ANGLES	± .005

MATERIAL: - FINISH: -

THIS DRAWING IS A CONTROLLED DOCUMENT. DIN S SCHLEGEL 5/13/09. CHK M MILLER 5/13/09. APVD M MILLER 5/13/09. NAME: -

PRODUCT SPEC: - APPLICATION SPEC: -

SIZE: A1. CAGE CODE: 00779. DRAWING NO: 1437270-5. RESTRICTED TO: -

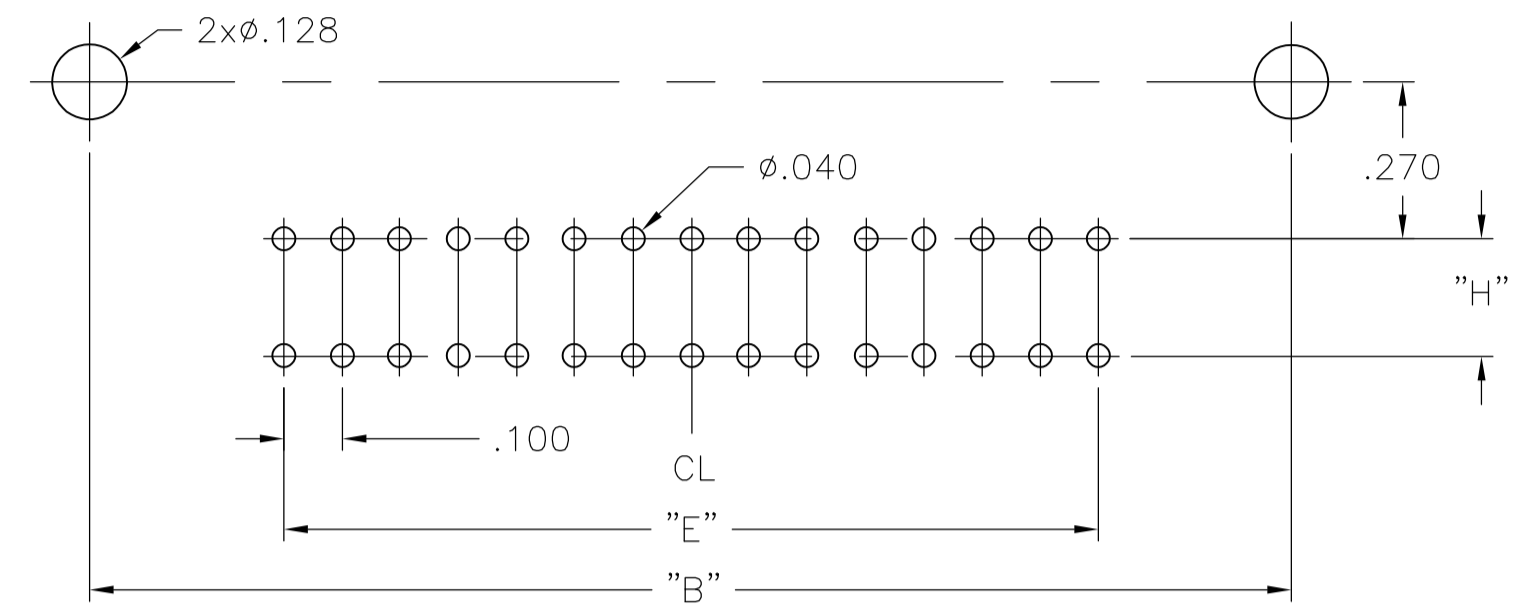
WEIGHT: -

CUSTOMER DRAWING. SCALE: 3:1. SHEET: 1 OF 2. REV: A2.

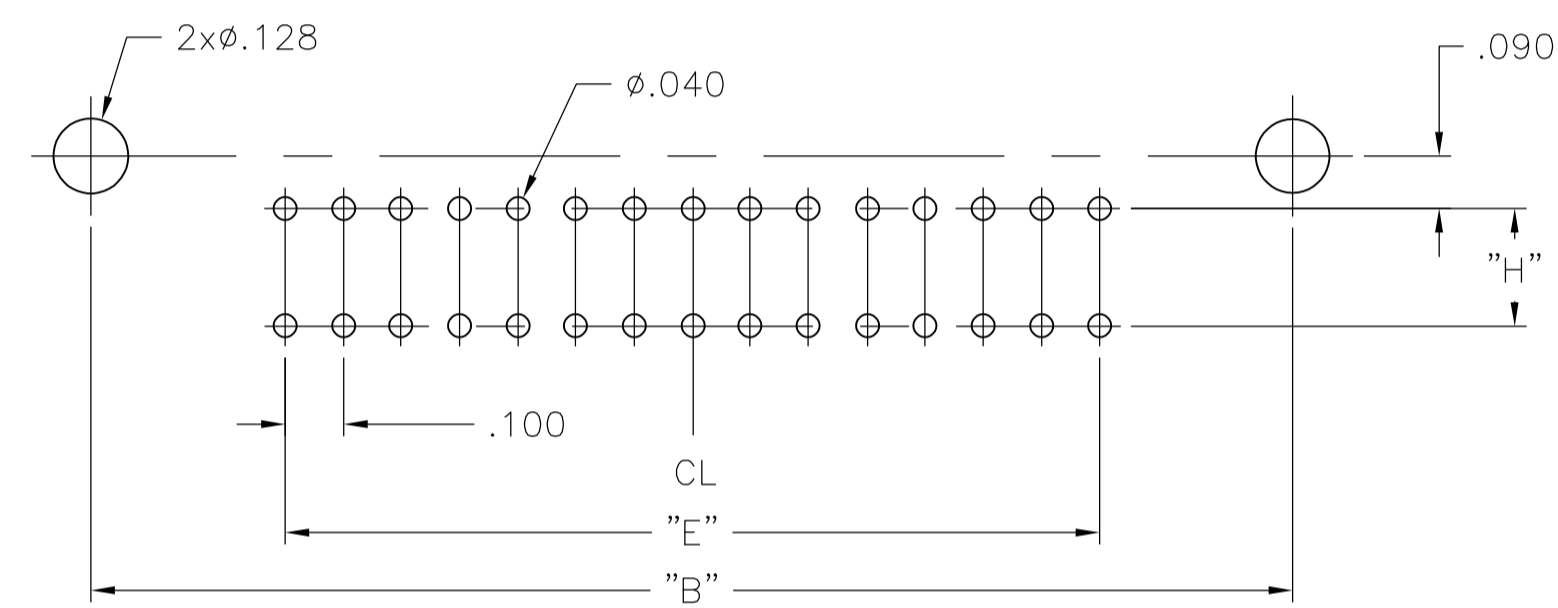
STE TE Connectivity

A8 CARD EDGE CONNECTOR (.100 x .150 CENTERS) RIGHT ANGLE DIP SOLDER TAILS

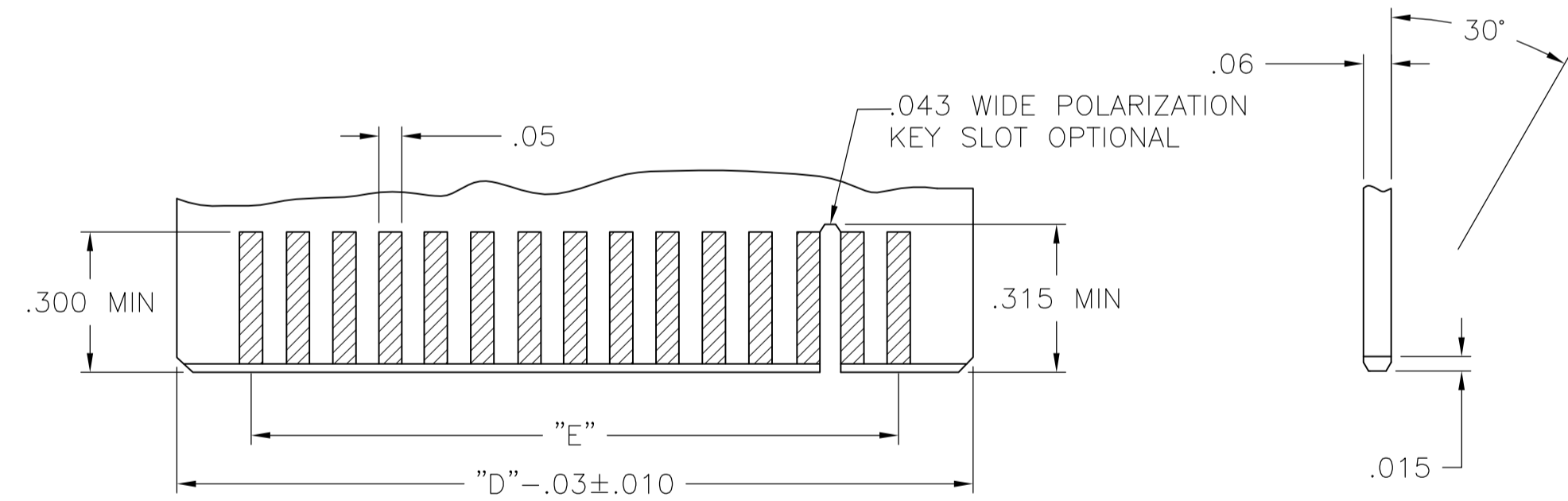
LOC		DIST		REVISIONS			
P	LTR	DESCRIPTION	DATE	DNW	APVD		
-	-	SEE SHEET 1	-	-	-	-	-



RECOMMENDED PC HOLE PATTERN FOR MOUNTING STYLE "E"



RECOMMENDED PC HOLE PATTERN FOR MOUNTING STYLE "F"



RECOMMENDED PC BOARD

1 OBSOLETE PARTS: OBSOLETE CIS STREAMLINING PER D.RENAUD/D.SINISI

OBSOLETE

OBSOLETE

1 OBSOLETE

QTY	HOUSING	QTY	CONTACT	QTY	CONTACT	DESCRIPTION	PART NUMBER
1	1825555-1	11	5-1454264-3	11	5-1454264-1	A8D10RA29FM233LF	1825554-1
1	3-1454268-4	31	1454264-3	31	1454264-1	A8D30RA29CM233	6-1437270-7
1	2-1454268-2	23	1454264-3	23	1454264-1	A8D22RA29EM233	6-1437269-7
1	2-1454268-2	23	5-1454264-3	23	5-1454264-1	A8D22RA29EM233LF	6-6437269-7
1	5-1454268-2	51	1454264-3	51	1454264-1	A8D50RA29BM233	4-1437270-3
1	5-1454268-2	51	5-1454264-3	51	5-1454264-1	A8D50RA29BM233LF	4-6437270-3
1	5-1454268-0	45	1454264-3	45	1454264-1	A8D44RA29CM233	3-1437270-8
1	5-1454268-0	45	5-1454264-3	45	5-1454264-1	A8D44RA29CM233LF	3-6437270-8
1	4-1454268-3	37	1454264-3	37	1454264-1	A8D36RA29EM233	2-1437270-3
1	4-1454268-3	37	5-1454264-3	37	5-1454264-1	A8D36RA29EM233LF	2-6437270-3
1	3-1454268-8	32	1454264-3	32	1454264-1	A8D31RA29CM233	1-1437270-7
1	3-1454268-8	32	5-1454264-3	32	5-1454264-1	A8D31RA29CM233LF	1-6437270-7
1	3-1454268-6	32	1454264-3	32	1454264-1	A8D31RA29BM233	1-1437270-5
1	3-1454268-6	32	5-1454264-3	32	5-1454264-1	A8D31RA29BM233LF	1-6437270-5
1	2-1454268-7	26	1454264-3	26	1454264-1	A8D25RA29FM233	7-1437269-8
1	2-1454268-7	26	5-1454264-3	26	5-1454264-1	A8D25RA29FM233LF	7-6437269-8
1	2-1454268-8	26	1454264-3	26	1454264-1	A8D25RA29CM233	7-1437269-6
1	2-1454268-8	26	5-1454264-3	26	5-1454264-1	A8D25RA29CM233LF	7-6437269-6
1	2-1454268-5	26	1454264-3	26	1454264-1	A8D25RA29AM233	7-1437269-4
1	2-1454268-5	26	5-1454264-3	26	5-1454264-1	A8D25RA29AM233LF	7-6437269-4
1	1-1454268-5	19	1454264-3	19	1454264-1	A8D18RA29FM233	5-1437269-3
1	1-1454268-5	19	5-1454264-3	19	5-1454264-1	A8D18RA29FM233LF	5-6437269-3
1	1-1454268-6	19	1454264-3	19	1454264-1	A8D18RA29CM233	5-1437269-2
1	1-1454268-6	19	5-1454264-3	19	5-1454264-1	A8D18RA29CM233LF	5-6437269-2
1	1-1454268-2	16	1454264-3	16	1454264-1	A8D15RA29FM233	4-1437269-5
1	1-1454268-2	16	5-1454264-3	16	5-1454264-1	A8D15RA29FM233LF	4-6437269-5
1	1-1454268-1	16	1454264-3	16	1454264-1	A8D15RA29EM233	4-1437269-4
1	1-1454268-1	16	5-1454264-3	16	5-1454264-1	A8D15RA29EM233LF	4-6437269-4
1	1-1454268-3	16	1454264-3	16	1454264-1	A8D15RA29CM233	4-1437269-2
1	1-1454268-3	16	5-1454264-3	16	5-1454264-1	A8D15RA29CM233LF	4-6437269-2
1	1454268-9	14	1454264-3	14	1454264-1	A8D13RA29CM233	3-1437269-6
1	1454268-9	14	5-1454264-3	14	5-1454264-1	A8D13RA29CM233LF	3-6437269-6
1	1454268-6	13	1454264-3	13	1454264-1	A8D12RA29EM233	3-1437269-1
1	1454268-6	13	5-1454264-3	13	5-1454264-1	A8D12RA29EM233LF	3-6437269-1
1	1454268-3	11	1454264-3	11	1454264-1	A8D10RA29CM233	2-1437269-3
1	1454268-3	11	5-1454264-3	11	5-1454264-1	A8D10RA29CM233LF	2-6437269-3

THIS DRAWING IS A CONTROLLED DOCUMENT.

DIMENSIONS: INCHES
 TOLERANCES UNLESS OTHERWISE SPECIFIED:
 0. PLC ± -
 1. PLC ± -
 2. PLC ± .10
 3. PLC ± .10
 4. PLC ± -
 ANGLES ± -

MATERIAL: - FINISH: -
 WEIGHT: -
 CUSTOMER DRAWING: -

DWN: S SCHLEGEL 5/13/09
 CHK: M MILLER 5/13/09
 APVD: M MILLER 5/13/09
 NAME: -
 PRODUCT SPEC: -
 APPLICATION SPEC: -
 SIZE: A1
 CAGE CODE: 00779
 DRAWING NO: 1437270-5
 RESTRICTED TO: -
 SCALE: 3:1 SHEET: 2 OF 2 REV: A2

STE TE Connectivity
 A8 CARD EDGE CONNECTOR
 (.100 x .150 CENTERS) RIGHT ANGLE DIP
 SOLDER TAILS