



Chipsmall Limited consists of a professional team with an average of over 10 year of expertise in the distribution of electronic components. Based in Hongkong, we have already established firm and mutual-benefit business relationships with customers from,Europe,America and south Asia,supplying obsolete and hard-to-find components to meet their specific needs.

With the principle of "Quality Parts,Customers Priority,Honest Operation,and Considerate Service",our business mainly focus on the distribution of electronic components. Line cards we deal with include Microchip,ALPS,ROHM,Xilinx,Pulse,ON,Everlight and Freescale. Main products comprise IC,Modules,Potentiometer,IC Socket,Relay,Connector.Our parts cover such applications as commercial,industrial, and automotives areas.

We are looking forward to setting up business relationship with you and hope to provide you with the best service and solution. Let us make a better world for our industry!



Contact us

Tel: +86-755-8981 8866 Fax: +86-755-8427 6832

Email & Skype: info@chipsmall.com Web: www.chipsmall.com

Address: A1208, Overseas Decoration Building, #122 Zhenhua RD., Futian, Shenzhen, China



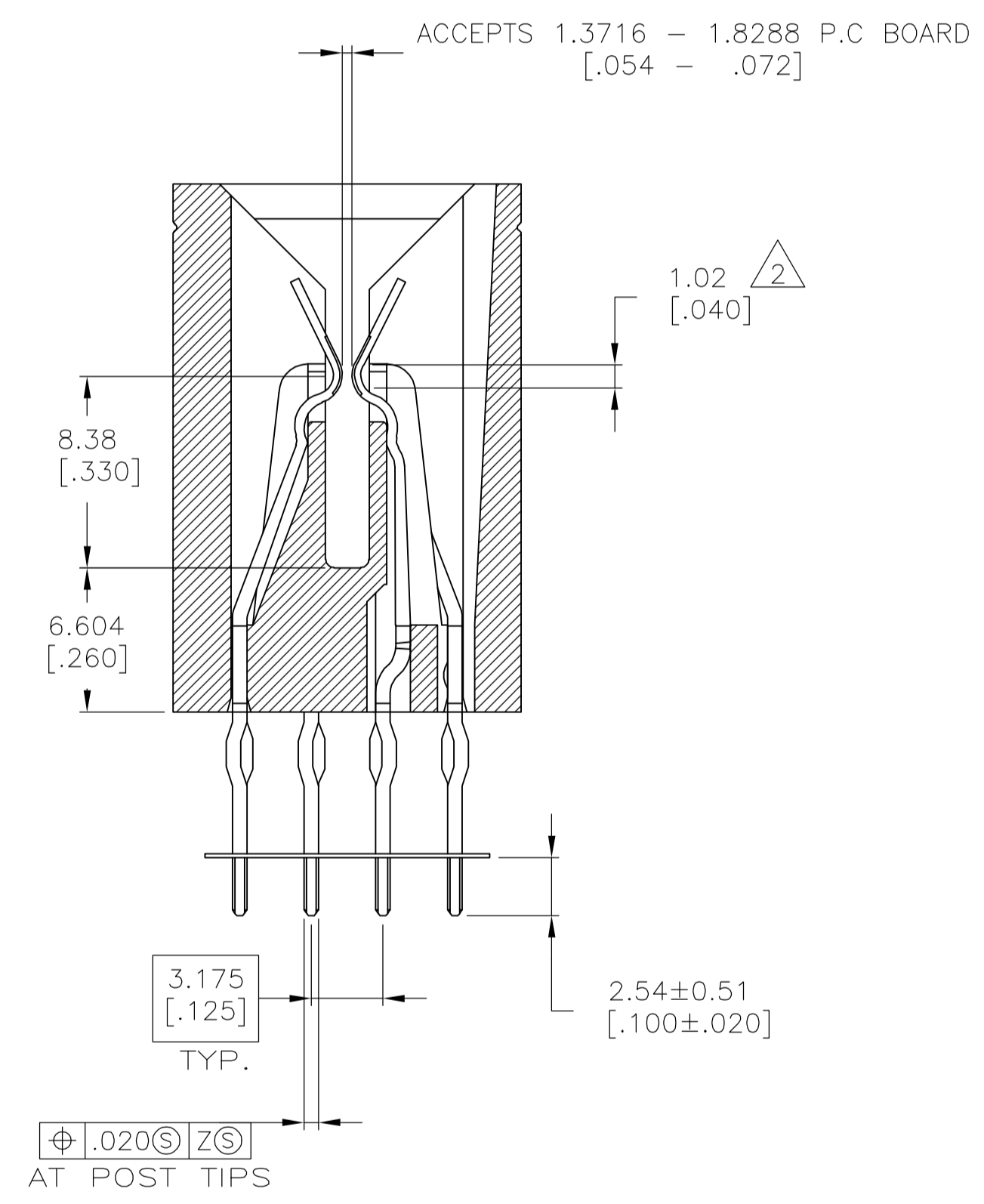
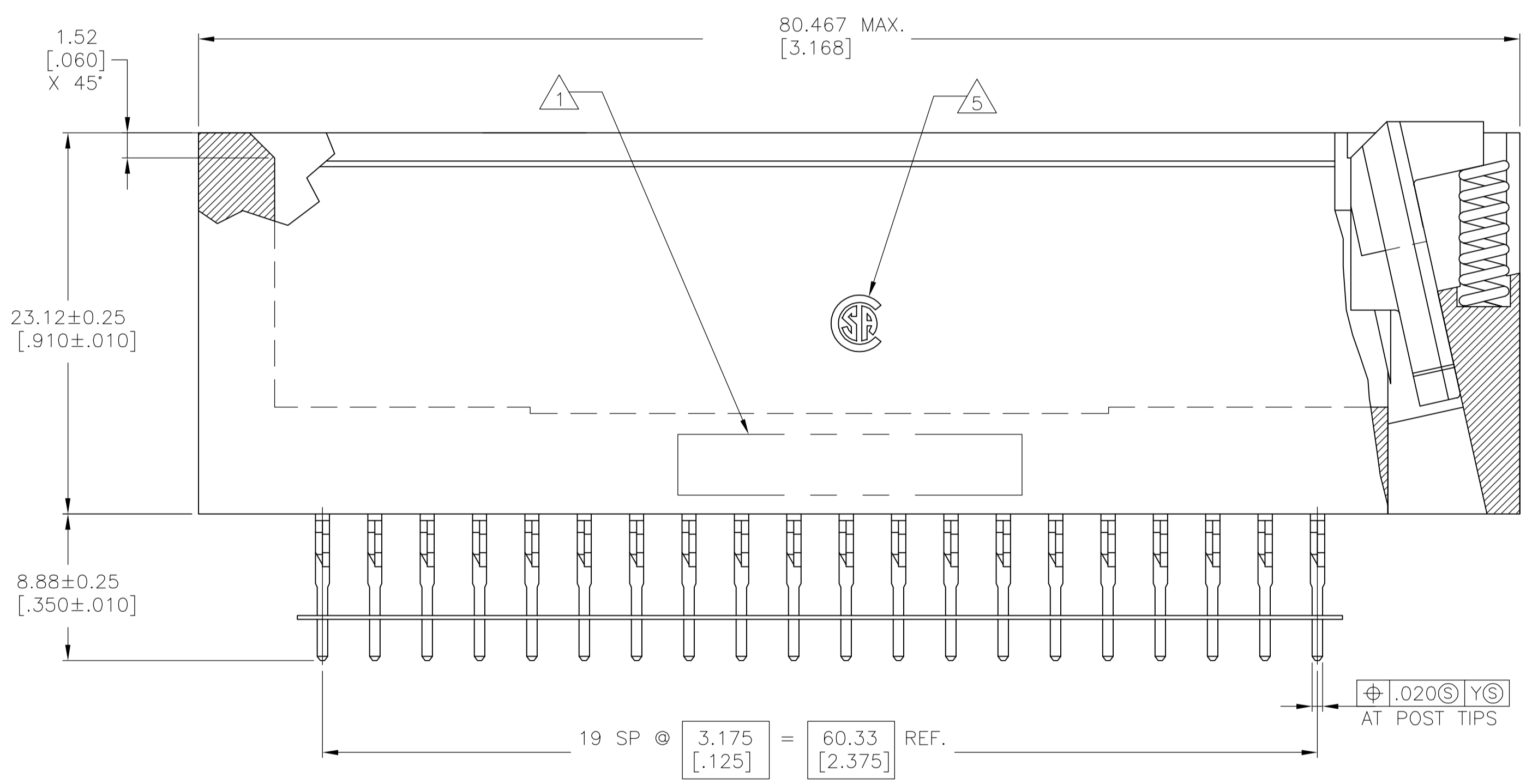
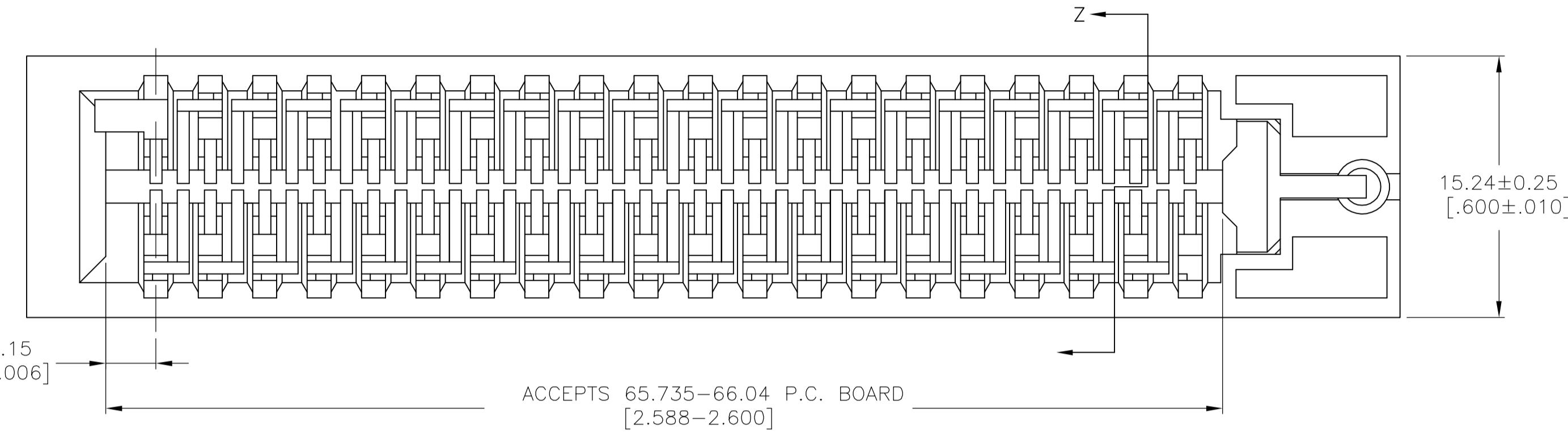
PART NO	COLUMN NO	ROW NO																			
		0	0	0	0	0	0	0	0	0	0	0	1	1	1	1	1	1	1	1	1
650281-1 & 5-650281-1	3	2																		2	X
	2	1																			1
	1	1																			1
	0	X	2																		2

- 1 AMP, PART NUMBER AND DATE CODE MARKED IN APPROXIMATE AREA SHOWN.
- 2 GOLD PL .000030 MIN. THK. OVER .040 WIDE BAND, SOLDER PL .000030 MIN. THK. ON POSTS, NICKEL UNDERPLATE .000150 MIN. THK. ALL OVER
- 3 HOUSING - POLYESTER MOLDING COMPOUND, VALOX 420-SEO COLOR: BLACK
WEDGE - POLYESTER MOLDING COMPOUND, VALOX 420-SEO COLOR: BLACK
COIL SPRING - STAINLESS STEEL
LOCATING STRIP - POLYESTER
INNER CONTACT - COPPER ALLOY 725
OUTER CONTACT - COPPER ALLOY 725

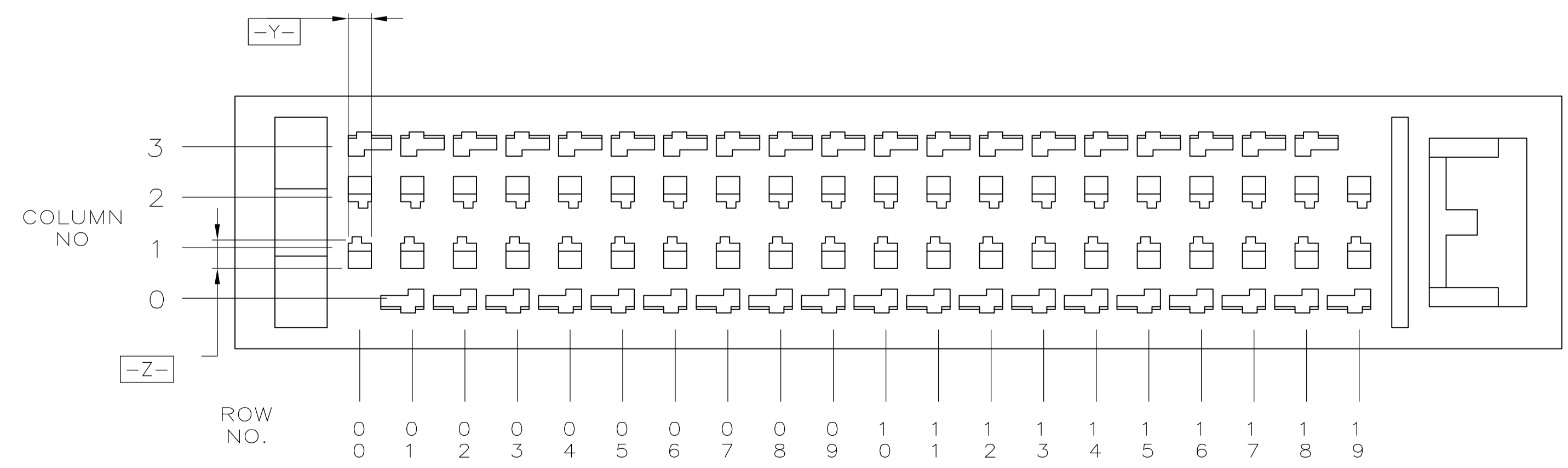
4. REQUIRED HOLE DIAMETER TOLERANCES

HOLE DIA ±.001	PLATING THICKNESS		HOLE DIA		COPPER HARDNESS KNOOP	PAD DIA MIN
	COPPER	TIN LEAD	AFTER PLATING	AFTER REFLOW		
.0453	.001-.003	.0003 MIN	.037-.043	.036-.043	150 MAX	.062
.0453	NOT PLATED THRU					.065

- 5 CSA LOGO MARKED IN APPROXIMATE AREA AS SHOWN.
- 6 GOLD PL .000030 MIN. THK. OVER .040 WIDE BAND, MATTE TIN PL .000030 MIN. THK. ON POSTS, NICKEL UNDERPLATE .000150 MIN. THK. ALL OVER



SECTION Z-Z
ROTATED 90° CW



SEE CONTACT LOADING CHART

3 SHORTING	2 OUTER	1 INNER	MARKING	5-650281-1 650281-1
CONTACT FINISH				PART NO
THIS DRAWING IS A CONTROLLED DOCUMENT.		DIN C. PIERCE 4/89	Tyco Electronics Corporation Harrisburg, Pa 17105-3608	
DIMENSIONS: mm [INCHES]	TOLERANCES UNLESS OTHERWISE SPECIFIED:	APVD	NAME	
0 PLC ± -	1 PLC ± -	PRODUCT SPEC	39 DUAL 78 POSN, CONNECTOR ASSY, TELEDENSITY	
2 PLC ± -	3 PLC ± -	APPLICATION SPEC	SIZE	CAGE CODE DRAWING NO
4 PLC ± -	ANGLES ± -	WEIGHT	A1	00779 C=650281
MATERIAL	FINISH	CUSTOMER DRAWING	SCALE 4:1	SHEET 1 OF 1 REV D