



Chipsmall Limited consists of a professional team with an average of over 10 year of expertise in the distribution of electronic components. Based in Hongkong, we have already established firm and mutual-benefit business relationships with customers from,Europe,America and south Asia,supplying obsolete and hard-to-find components to meet their specific needs.

With the principle of “Quality Parts,Customers Priority,Honest Operation,and Considerate Service”,our business mainly focus on the distribution of electronic components. Line cards we deal with include Microchip,ALPS,ROHM,Xilinx,Pulse,ON,Everlight and Freescale. Main products comprise IC,Modules,Potentiometer,IC Socket,Relay,Connector.Our parts cover such applications as commercial,industrial, and automotives areas.

We are looking forward to setting up business relationship with you and hope to provide you with the best service and solution. Let us make a better world for our industry!



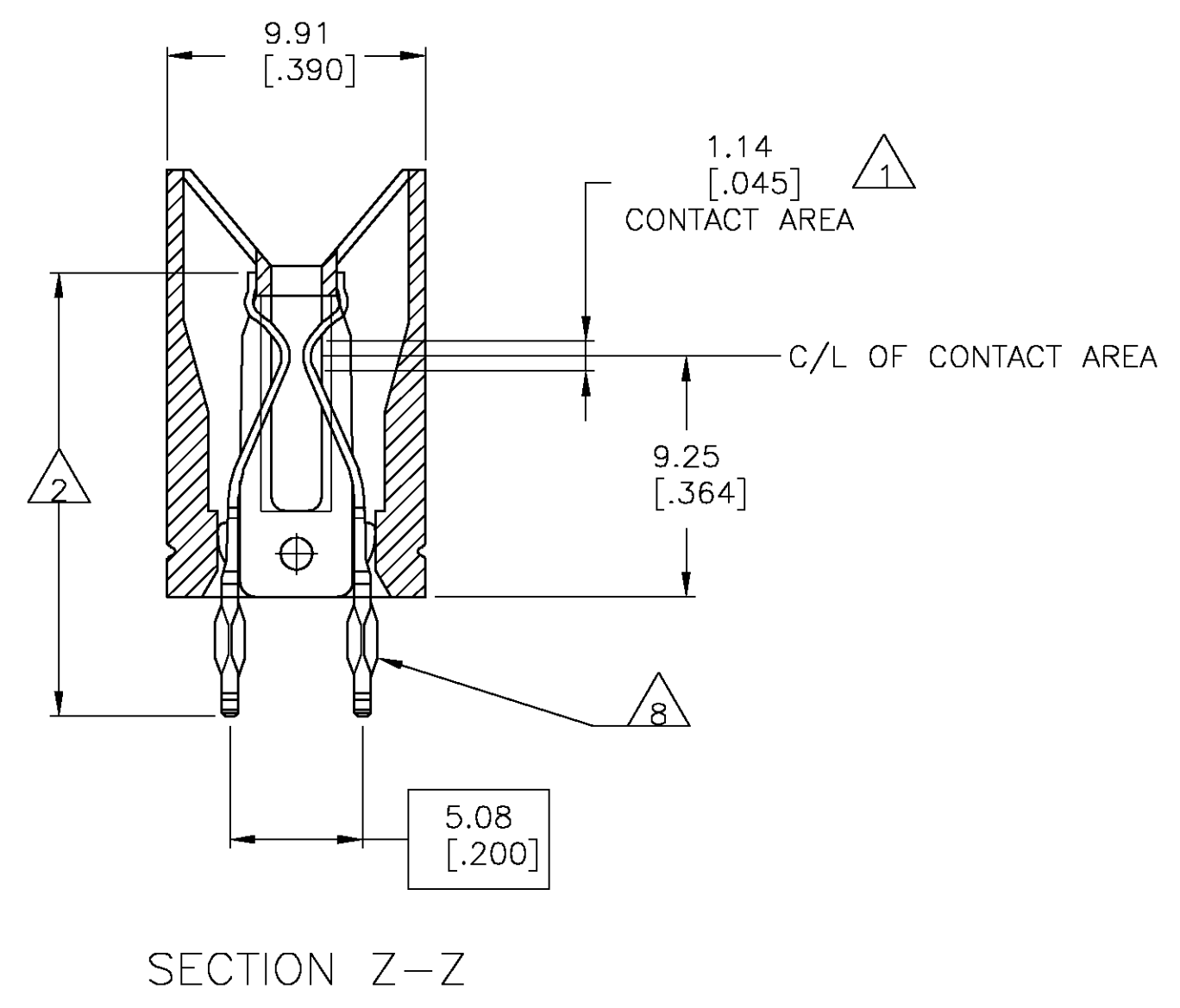
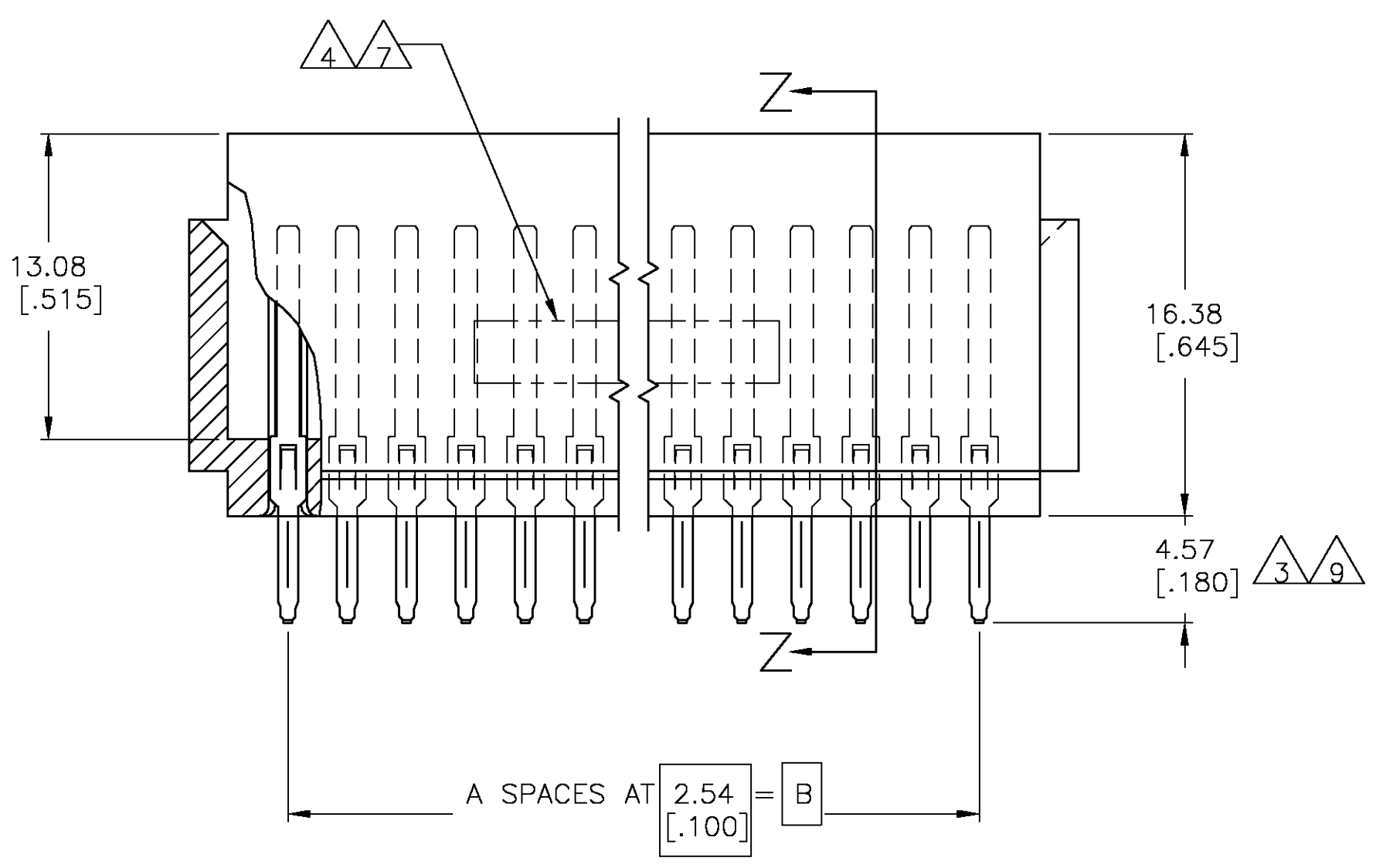
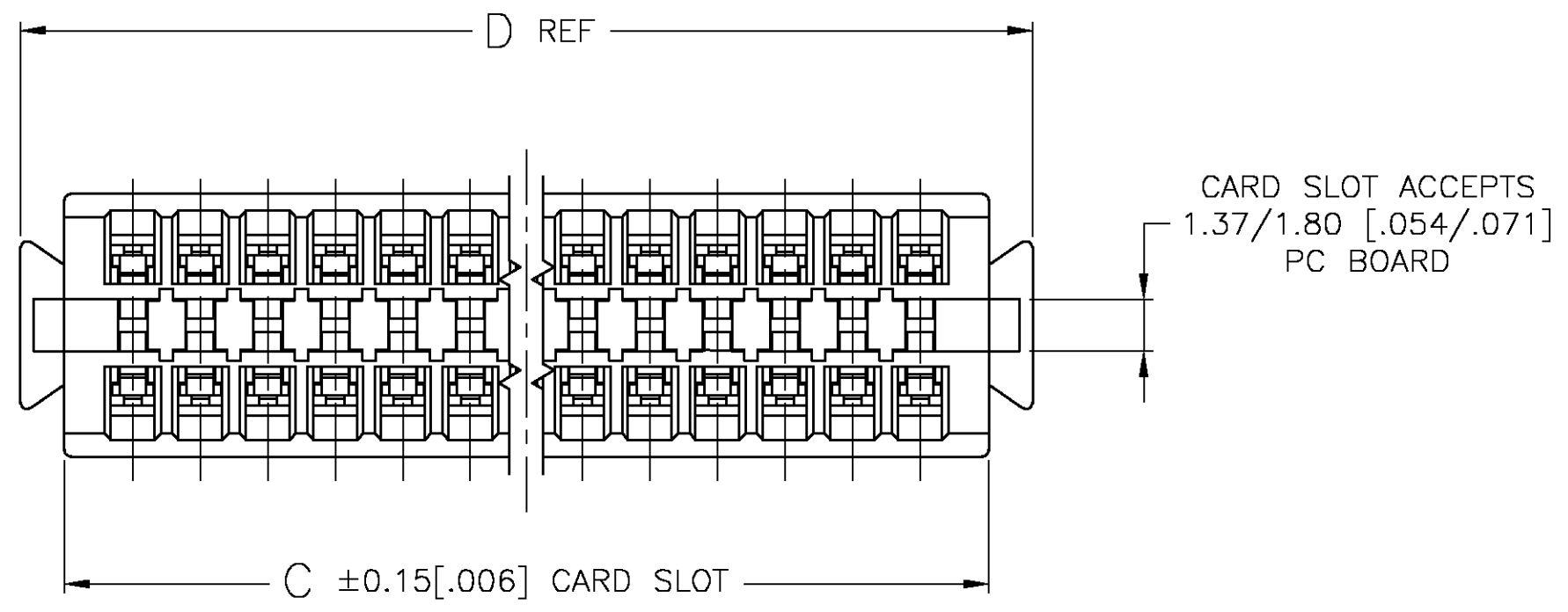
Contact us

Tel: +86-755-8981 8866 Fax: +86-755-8427 6832

Email & Skype: info@chipsmall.com Web: www.chipsmall.com

Address: A1208, Overseas Decoration Building, #122 Zhenhua RD., Futian, Shenzhen, China





- 1 GOLD PL .00076[.000030] MIN THK PER MIL-G-45204
- 2 NICKEL PL .00127[.000050] MIN THK PER QQ-N-290
- 3 SOLDER PL .00076[.000030] MIN THK
- 4 STAMPED P/N & DATE CODE.
- 5. OPTIONAL: KEYING PLUG FOR INTERCONTACT KEYING IS 118982-1
- 6. OPTIONAL: CARD GUIDE (BASE NO 117169)
- 7 ALL PARTS ASSEMBLED IN MEXICO MUST BE STAMPED "ASSY IN MEXICO". THE WORD "MEXICO" CAN BE SUBSTITUTED ONLY WHERE PART SIZE PROHIBITS STAMPING "ASSY IN MEXICO", INK COLOR WHITE PER 115-9009, APPROX WHERE SHOWN, SIDE OPTIONAL.
- 8 ACTION PIN REQUIRES 2.13[.084] MIN THK PC BOARD.
- 9 MATTE TIN PL .00076[.000030] MIN THK

REQ'D DRILL SIZE	HOLE DIA ±.03 [.001]	PLATING THICKNESS		HOLE DIAMETER		COPPER HARDNESS (KNOOP)	PAD DIA MIN
		COPPER	TIN	AFTER PLATING	AFTER REFLOW		
1.15mm	1.15 [.0453]	0.03-0.08 [.001-.003]	0.008 MIN [.0003] MIN	0.94-1.09 [.037-.043]	0.914-1.09 [.0036-.043]	150 MAX	1.57 [.062]
1.15mm	1.15 [.0453]	NOT PLATED THRU					1.65 [.065]

31.34 [1.234]	28.04 [1.104]	22.86 [.900]	9	10	5-650297-1
31.34 [1.234]	28.04 [1.104]	22.86 [.900]	9	10	650297-1
D	C	B	A	POSN	PART NO

THIS DRAWING IS A CONTROLLED DOCUMENT.

DIMENSIONS: mm [NCHES]	TOLERANCES UNLESS OTHERWISE SPECIFIED:	DRAWN: H. BAKERMANS 15-FEB-93	CHK: H. ROSE 19-AUG-94	DATE: 19-AUG-94	NAME: H. ROSE
0 PLC ± -	1 PLC ± -	2 PLC ± -	3 PLC ± 0.25 [.010]	4 PLC ± -	FINISH: 1 2 3
MATERIAL: HOUSING: VALOX 420 SED, BLUE CONTACT: COPPER NICKEL		APPLICATION SPEC: 114-26002		SIZE: A1	CAGE CODE: 00779
CUSTOMER DRAWING		SCALE: 4:1		SHEET: 1 OF 1	REV: C

tyco Electronics Tyco Electronics Corporation Harrisburg, Pa 17105-3608

CONNECTOR, AMP PACE .100x.200

00779 650297