



Chipsmall Limited consists of a professional team with an average of over 10 year of expertise in the distribution of electronic components. Based in Hongkong, we have already established firm and mutual-benefit business relationships with customers from,Europe,America and south Asia,supplying obsolete and hard-to-find components to meet their specific needs.

With the principle of "Quality Parts,Customers Priority,Honest Operation,and Considerate Service",our business mainly focus on the distribution of electronic components. Line cards we deal with include Microchip,ALPS,ROHM,Xilinx,Pulse,ON,Everlight and Freescale. Main products comprise IC,Modules,Potentiometer,IC Socket,Relay,Connector.Our parts cover such applications as commercial,industrial, and automotives areas.

We are looking forward to setting up business relationship with you and hope to provide you with the best service and solution. Let us make a better world for our industry!



Contact us

Tel: +86-755-8981 8866 Fax: +86-755-8427 6832

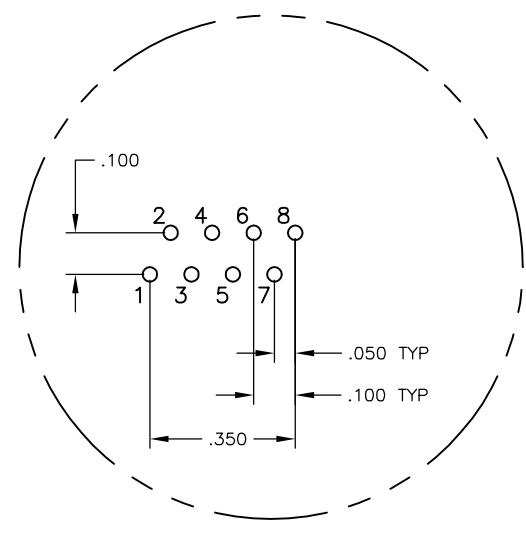
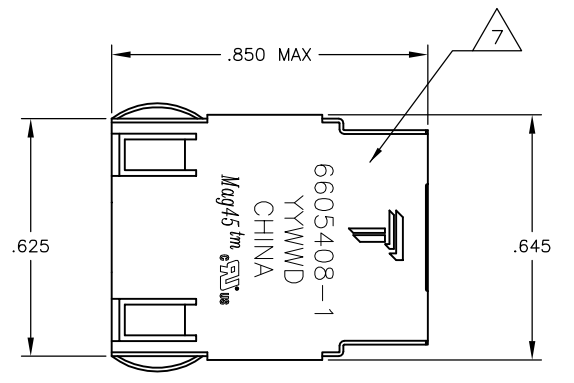
Email & Skype: info@chipsmall.com Web: www.chipsmall.com

Address: A1208, Overseas Decoration Building, #122 Zhenhua RD., Futian, Shenzhen, China

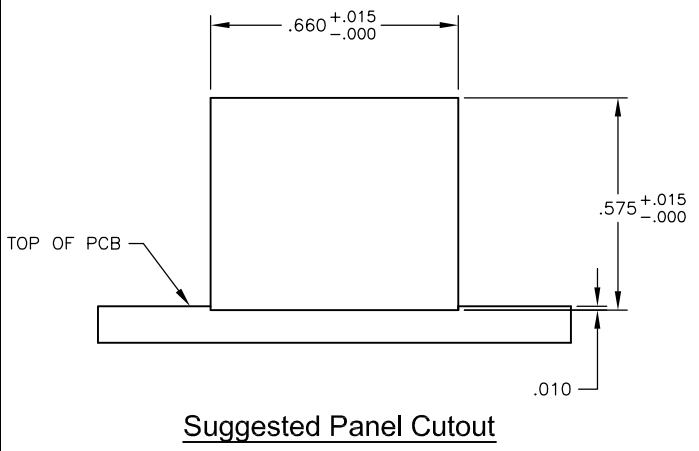
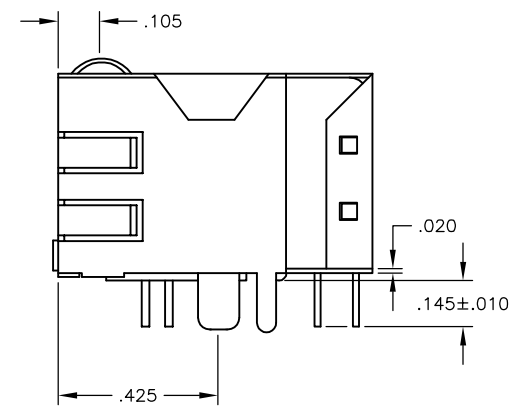
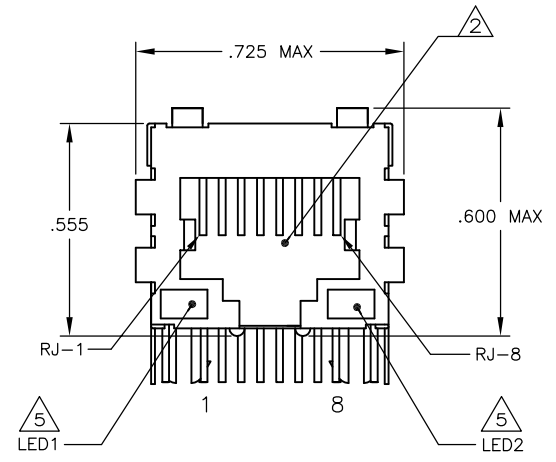


REVISIONS					
#	LR	DESCRIPTION	DATE	BY	APPD
E		LOGO CHANGE	23APR2013	JC	KZ

MECHANICAL:

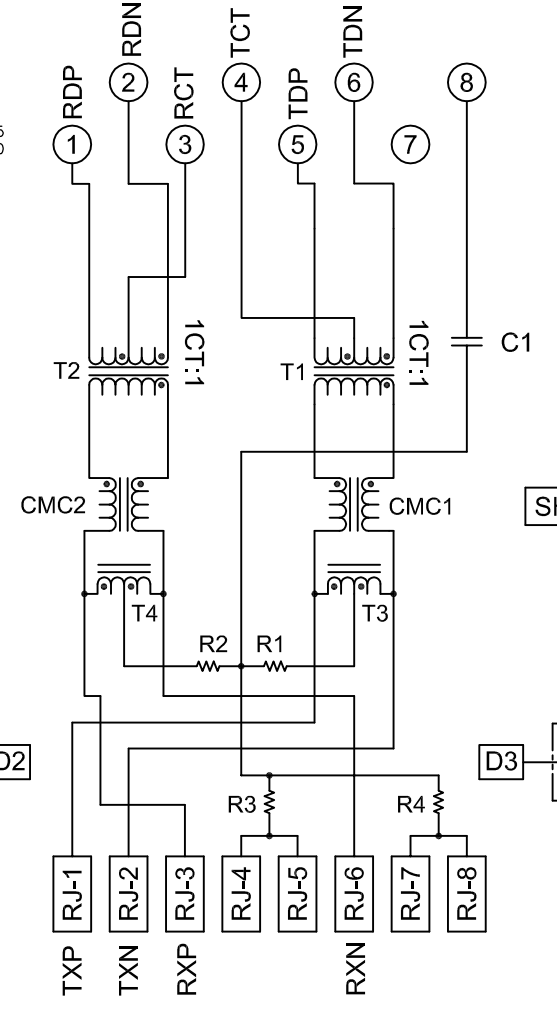


Pin Designations

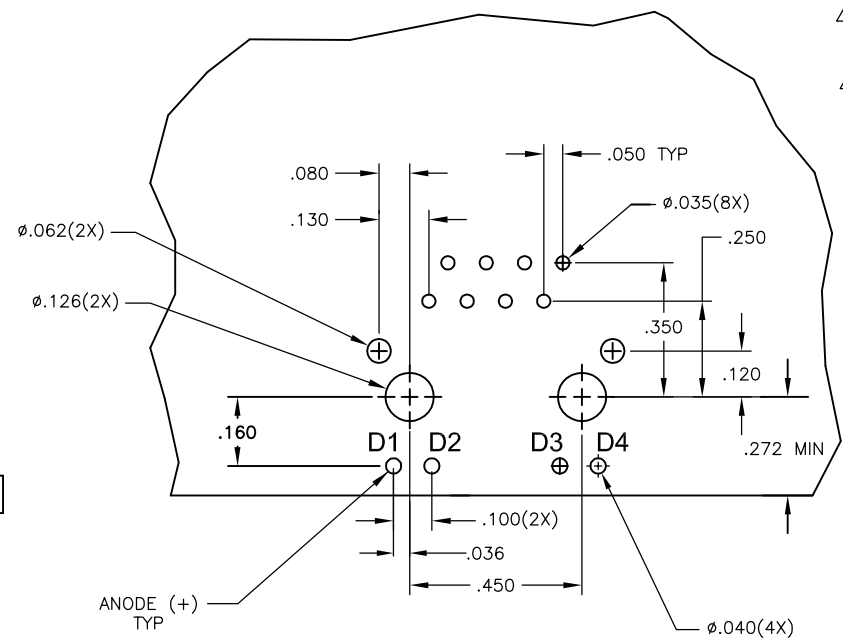


Suggested Panel Cutout

ELECTRICAL:
415 SERIES MAGNETIC CIRCUIT



C1 = 1000 pF, 2kV CAPACITOR
R1-R4 = 75 OHMS, 1/16 W RESISTORS



Suggested PCB Layout
(Component Side)

- ⚠️ **MATERIALS:**
HOUSING - THERMOPLASTIC PET POLYESTER FLAMMABILITY RATING UL 94V-0.
SHIELD - .010" THICK, C26800 BRASS PREPLATED WITH 30μINCH SEMI-BRIGHTNICKEL.
SOLDER TABS POST DIPPED WITH 100μINCH MIN SAC SOLDER.
MOD JACK CONTACTS - 0.0157 X 0.018" PHOSPHOR BRONZE, 50μINCH MIN OVERALL NICKEL UNDERPLATE, WITH SELECT 50μINCH MIN HARD GOLD FINISH PLATE SOLDER TAILS WITH 100μINCH MIN MATTE TIN AND/OR SAC SOLDER DIP.
LIGHT EMITTING DIODE(LED) - DIFFUSED EPOXY LENS, .020" x .020" CARBON STEEL WIREFRAME LEADS PRE-PLATED WITH 80μINCH SILVER OVER 40μINCH NICKEL UNDERPLATE OVER 40μINCH COPPER UNDERPLATE. POST-PLATED WITH 100μINCH MIN MATTE TIN AND/OR SAC SOLDER DIP OR PURE TIN SOLDER DIP.
- ⚠️ **RJ45 JACK CAVITY CONFORMS TO FCC RULES AND REGULATIONS PART 68, SUBPART F.**
- ⚠️ **MAGNETICS**
-IMPEDANCE: 100 OHMS
-TURNS RATIO (CHIP:CABLE): TX = 1:1, RX = 1:1
-OPEN CIRCUIT INDUCTANCE (OCL): 350μH MIN @100kHz, 0.1VRMS, 8mADC BIAS FROM 0°C TO 70°C, TX AND RX
-PERFORMANCE @ 25°C:
INSERTION LOSS (IL): 1.1dB MAX FROM 0.5MHz TO 100MHz
RETURN LOSS (RL): 18dB MIN FROM 0.5MHz TO 30MHz
18-20LOG(f/30)dB MIN FROM 30.1MHz TO 60MHz
12dB MIN FROM 60.1MHz TO 80MHz
CROSSTALK ATTENUATION: 35dB MIN FROM 0.5MHz TO 40MHz
33-20*LOG(f/50)dB MIN FROM 40.1MHz TO 100MHz
COMMON MODE REJECTION RATIO (CMRR): 30dB MIN FROM 0.5MHz TO 100MHz
-ISOLATION VOLTAGE: 2250 VDC FOR 60 SECONDS DURATION.
- 4. OPERATING TEMPERATURE: FROM 0°C TO + 70°C.
- ⚠️ THE LED WITH 250 OHM RESISTORS, LED IS DRIVEN WITH 5V VOLTAGE AND THE MAX OPERATING CURRENT IS 20mA. LED COLOR :
DOMINANT WAVELENGTH (λD): GREEN 568 nm TYP. @ VF=5V
FORWARD CURRENT (IF): GREEN 12 mA TYP. @ VF=5V
DOMINANT WAVELENGTH (λD): YELLOW 588 nm TYP. @ VF=5V
FORWARD CURRENT (IF): YELLOW 13 mA TYP. @ VF=5V
- ⚠️ INDICATED CONNECTIONS ARE FOR NIC CONFIGURATION. THE MAGNETICS ARE SYMMETRIC, AND ARE AUTO-MDI/MDIX CAPABLE.
- ⚠️ TRP CONNECTOR LOGO, PART NUMBER, DATE CODE, COUNTRY OF ORIGIN AND AGENCY APPROVAL MARKING IN APPROXIMATE LOCATION SHOWN.
- 8. THESE PARTS ARE RECOMMENDED FOR WAVE SOLDERING PROCESS, PREHEAT TEMPERATURE IS 120°C TO 160°C, 120 SECONDS TO 180 SECONDS, PEAK WAVE SOLDERING TEMPERATURE IS 260°C MAX, 10 SECONDS MAX.

YES	GREEN	YELLOW	5-6605408-1
NO	GREEN	YELLOW	6605408-1
2KV DECOUPLING CAPACITOR	LED1	LED2	PART NUMBER

THIS DRAWING IS A CONTROLLED DOCUMENT.		DRN: G. ATTADIA - 08MAR2005	TRP connector
DIMENSIONS: INCHES		CHK: D. FAROLE - 08MAR2005	Dongguan China
TOLERANCES UNLESS OTHERWISE SPECIFIED:		APPD: D. FAROLE - 08MAR2005	
0 PLC	± .005	PRODUCT SPEC	108-2100
1 PLC	± .010	APPLICATION SPEC	NAME 1X1 MAG45(TM), MODULAR JACK, SHIELDED, 4N2 SCHEMATIC, 415 SERIES CIRCUIT, OPTIONAL DECOUPLING CAPACITOR, WITH RESISTOR LEADS
2 PLC	± .015	SIZE	A1
3 PLC	± .020	SCALE	C=6605408
4 PLC	± .025	RESTRICTED TO	
ANGLES	± .005	CUSTOMER DRAWING	SCALE NTS SHEET 1 OF 1 REV E