



Chipsmall Limited consists of a professional team with an average of over 10 year of expertise in the distribution of electronic components. Based in Hongkong, we have already established firm and mutual-benefit business relationships with customers from,Europe,America and south Asia,supplying obsolete and hard-to-find components to meet their specific needs.

With the principle of "Quality Parts,Customers Priority,Honest Operation,and Considerate Service",our business mainly focus on the distribution of electronic components. Line cards we deal with include Microchip,ALPS,ROHM,Xilinx,Pulse,ON,Everlight and Freescale. Main products comprise IC,Modules,Potentiometer,IC Socket,Relay,Connector.Our parts cover such applications as commercial,industrial, and automotives areas.

We are looking forward to setting up business relationship with you and hope to provide you with the best service and solution. Let us make a better world for our industry!



Contact us

Tel: +86-755-8981 8866 Fax: +86-755-8427 6832

Email & Skype: info@chipsmall.com Web: www.chipsmall.com

Address: A1208, Overseas Decoration Building, #122 Zhenhua RD., Futian, Shenzhen, China

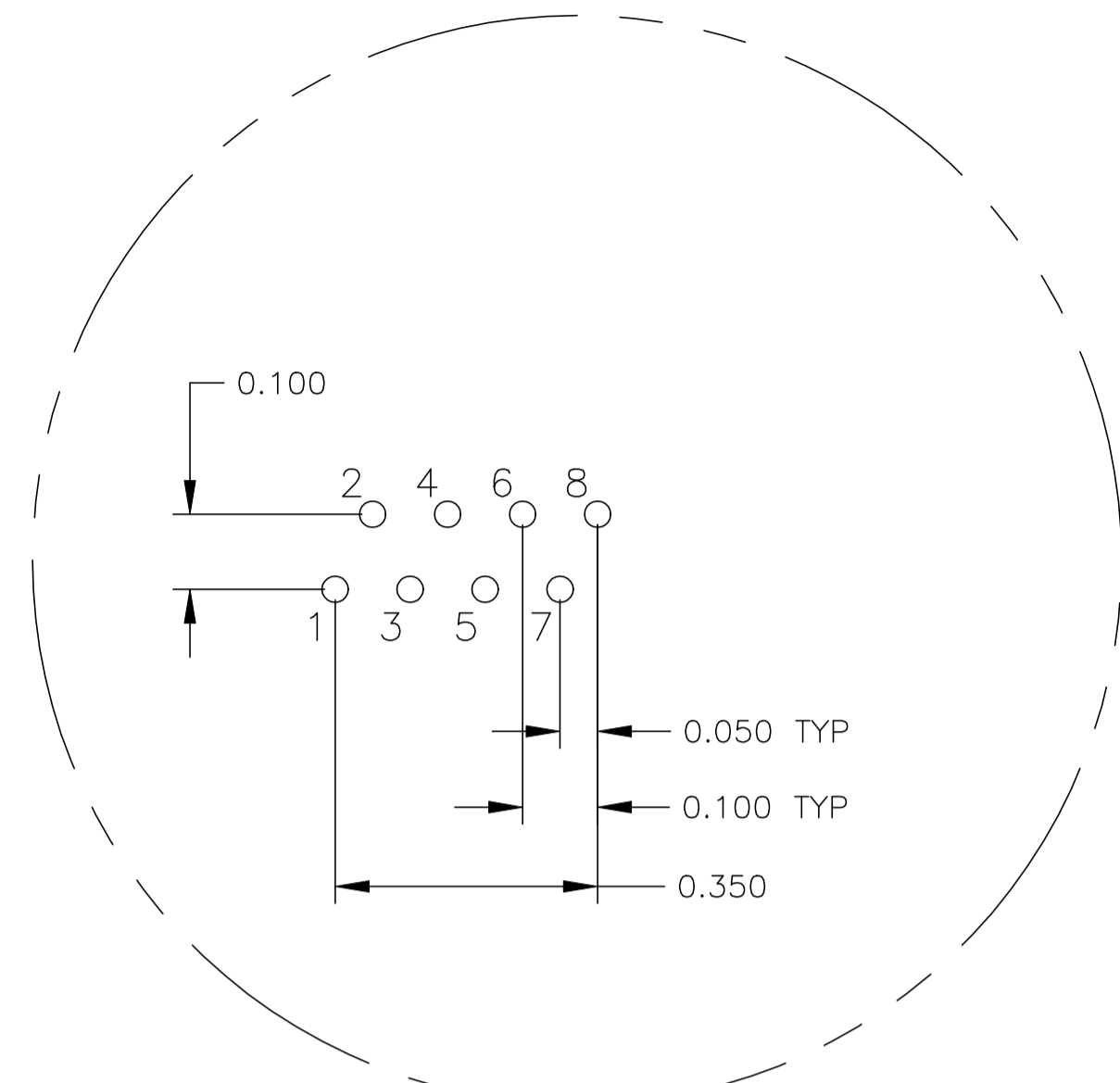
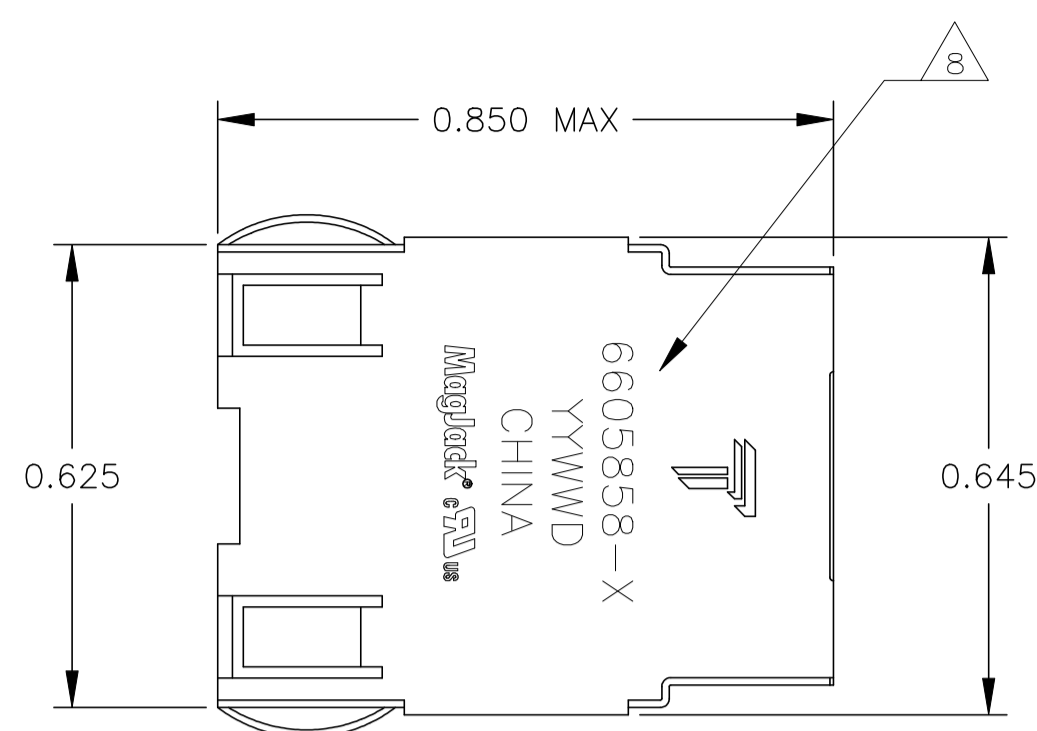


THIS DRAWING AND THE SUBJECT MATTER SHOWN THEREON ARE CONFIDENTIAL AND THE PROPERTY OF BEL/STEWART/TRP CONNECTOR AND SHALL NOT BE REPRODUCED, COPIED, OR USED IN ANY MANNER WITHOUT THE WRITTEN CONSENT OF TRP CONNECTOR.

PRODUCT MAY BE PROTECTED BY ONE OR MORE OF THE FOLLOWING US PATENTS:
 5736910 5939955 6425781 6428361 6554638 6840817 7123117
 7429195 7717749 7808751 6217391 6149050 7924130

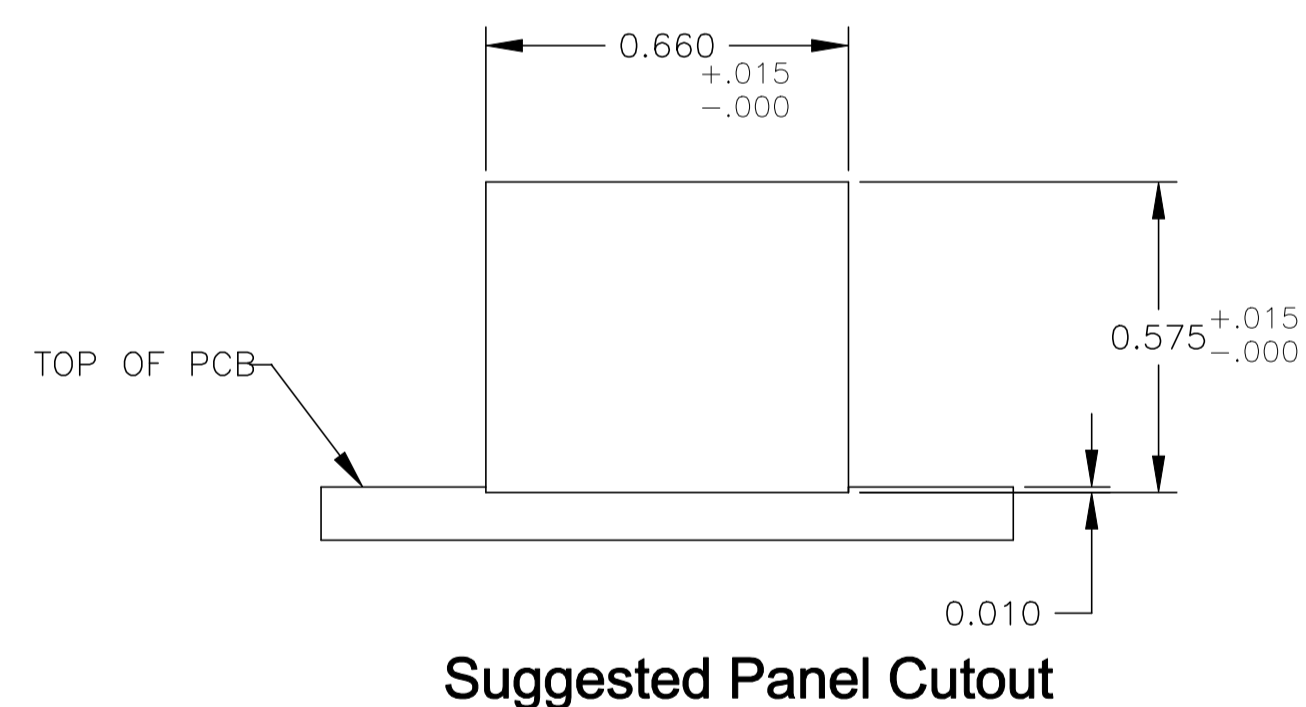
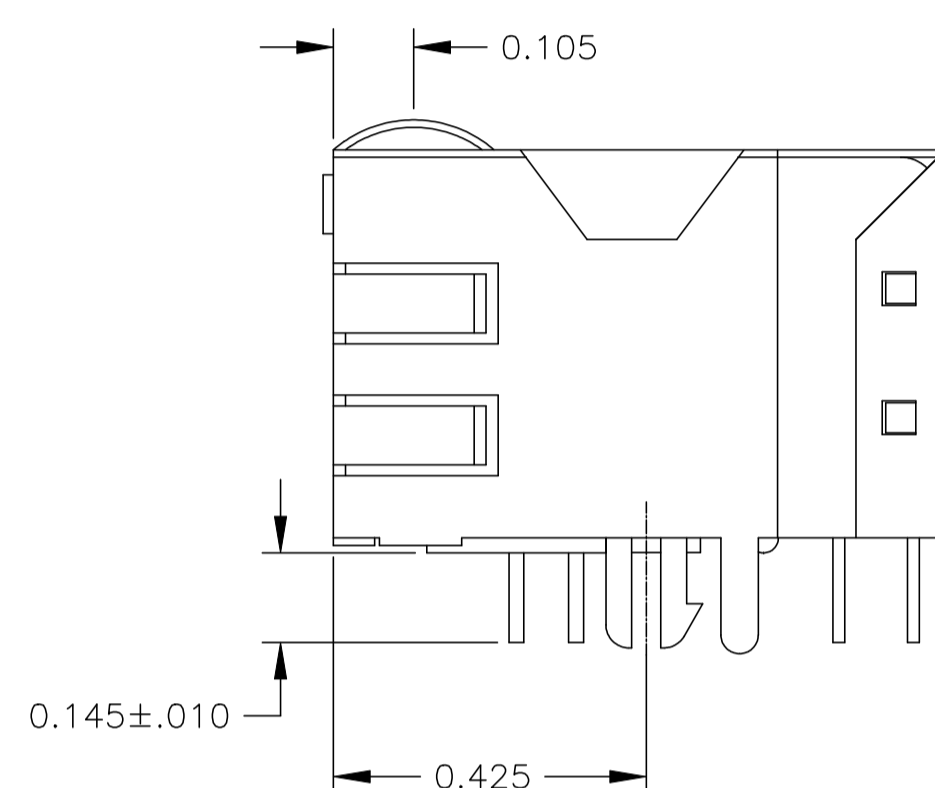
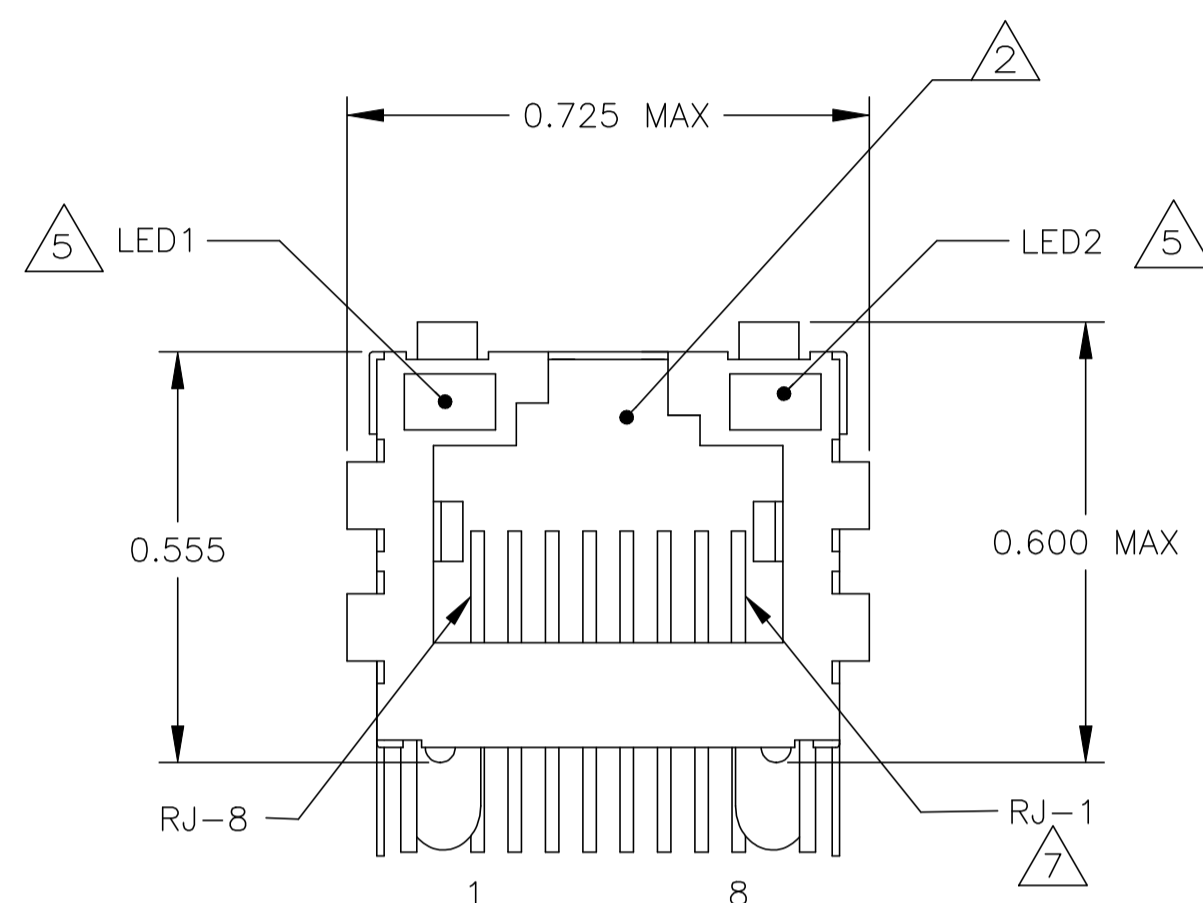
REVISIONS				
P	LYR	DESCRIPTION	DATE	APVD
E		EC-1411035 COMPANY LOGO CHANGE	12JAN2015	HY KZ

MECHANICAL:



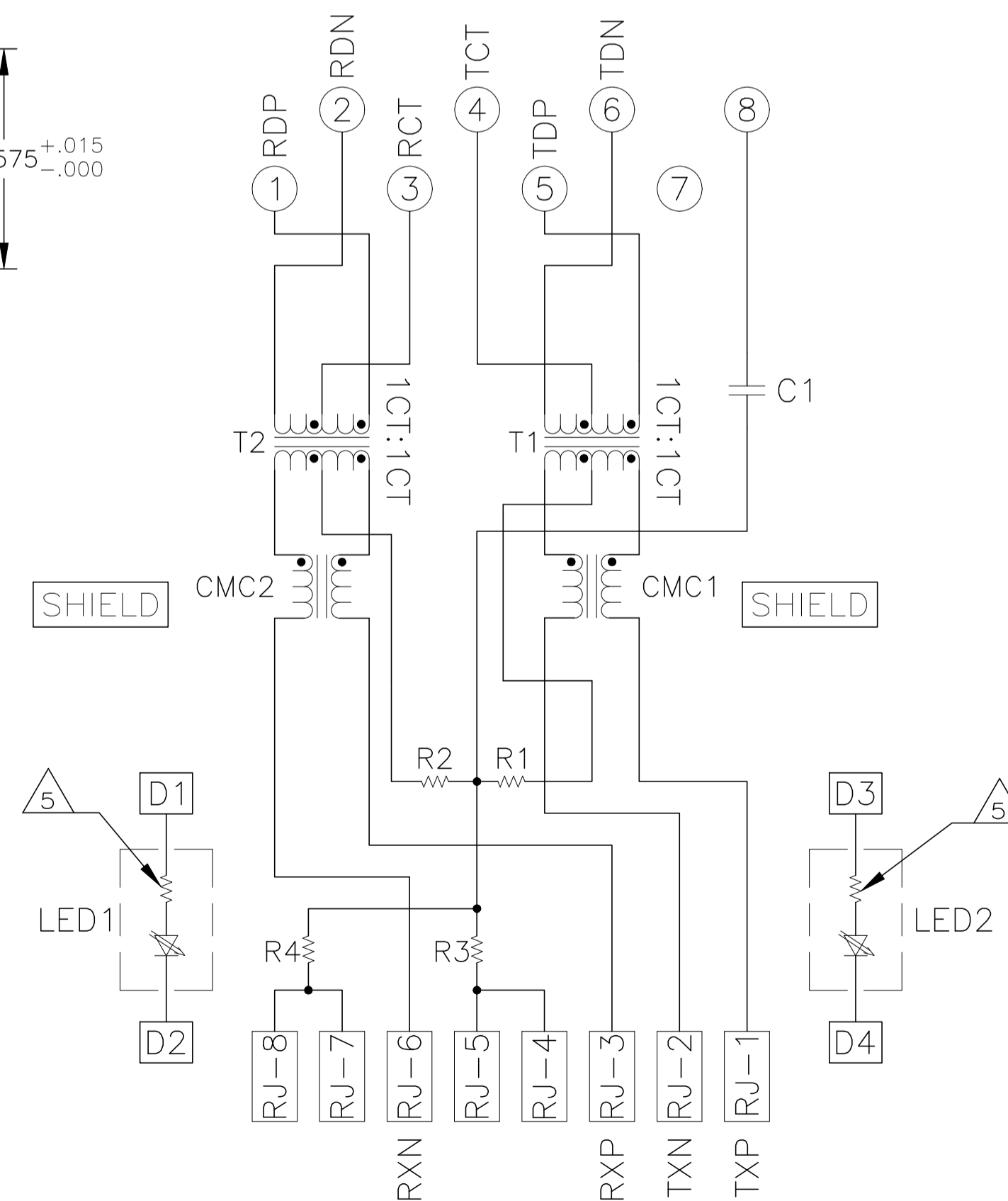
Pin Designations

- △ **MATERIALS:**
 - HOUSING - THERMOPLASTIC PET POLYESTER FLAMMABILITY RATING UL 94V-0.
 - SHIELD - .010" THICK, C26800 BRASS PREPLATED WITH 30μ INCH MIN SEMI-BRIGHT NICKEL, SOLDER TABS POST DIPPED WITH 100μ INCH MIN SAC SOLDER.
 - MOD JACK CONTACTS - 0.0157" x 0.018" PHOSPHOR BRONZE, 50μ INCH MIN OVERALL NICKEL UNDERPLATE, WITH SELECT 50μ INCH MIN HARD GOLD FINISH PLATE. SOLDER TAILS WITH 100μ INCH MIN MATTE TIN AND/OR SAC SOLDER DIP.
 - LIGHT EMITTING DIODE(LED) - DIFFUSED EPOXY LENS, .020" x .020" CARBON STEEL WIREFRAME LEADS PRE-PLATED WITH 80μ INCH SILVER OVER 40μ INCH NICKEL UNDERPLATE OVER 40μ INCH COPPER UNDERPLATE, POST-PLATED WITH 100μ INCH MIN MATTE TIN AND/OR SAC SOLDER DIP OR PURE TIN SOLDER DIP.
- △ **RJ45 JACK CAVITY CONFORMS TO FCC RULES AND REGULATIONS PART 68, SUB PART F.**
- △ **MAGNETICS**
 - IMPEDANCE: 100 OHMS
 - TURNS RATIO (CHIP:CABLE): TX = 1:1, RX = 1:1
 - OPEN CIRCUIT INDUCTANCE (OCL): 350μH MIN @100kHz, 0.1VRMS, 8mADC BIAS FROM 0°C TO +70°C, TX AND RX
 - PERFORMANCE @ 25°C:
 - INSERTION LOSS (IL): 1.1dB MAX FROM 0.5MHz TO 100MHz
 - RETURN LOSS (RL): 18dB MIN FROM 0.5MHz TO 30MHz
 - 18-20LOG(f/30)dB MIN FROM 30.1MHz TO 60MHz
 - 12dB MIN FROM 60.1MHz TO 80MHz
 - CROSSTALK ATTENUATION: 35dB MIN FROM 0.5MHz TO 40MHz
 - 33-20*LOG(f/50)dB MIN FROM 40.1MHz TO 100MHz
 - COMMON MODE REJECTION RATIO (CMRR): 30dB MIN FROM 0.5MHz TO 100MHz
 - ISOLATION VOLTAGE: 2250VDC (MAX) FOR 60 SECONDS WITH A RISE TIME OF 500V/SEC.
- 4 **OPERATING TEMPERATURE: FROM 0°C TO +70°C**
- △ **LED WITH 250 OHM RESISTORS, LED IS DRIVEN WITH 5V VOLTAGE AND THE MAX OPERATING CURRENT IS 20mA.**
 - LED COLOR : DOMINANT WAVELENGTH (λD): GREEN 568 nm TYP @ VF=5V
 - FORWARD CURRENT (IF): GREEN 12 mA TYP @ VF=5V
 - DOMINANT WAVELENGTH (λD): YELLOW 588 nm TYP @ VF=5V
 - FORWARD CURRENT (IF): YELLOW 13 mA TYP @ VF=5V
- △ **INDICATED CONNECTIONS ARE FOR NIC CONFIGURATION. THE MAGNETICS ARE SYMMETRICAL, AND SUPPORT AUTO-MDI/MDIX.**
- △ **CONTACT LUBRICANT APPLIED IN MATING AREA.**
- △ **TRP CONNECTOR LOGO, PART NUMBER, DATE CODE, COUNTRY OF ORIGIN AND AGENCY APPROVAL MARKING IN APPROXIMATE LOCATION SHOWN.**
- 9. **THE PART IS RECOMMENDED FOR WAVE SOLDERING PROCESS, PREHEAT TEMPERATURE IS 120°C TO 160°C, 120 SECONDS TO 180 SECONDS, PEAK SOLDERING TEMPERATURE IS 260 °C MAX, 10 SECONDS MAX.**

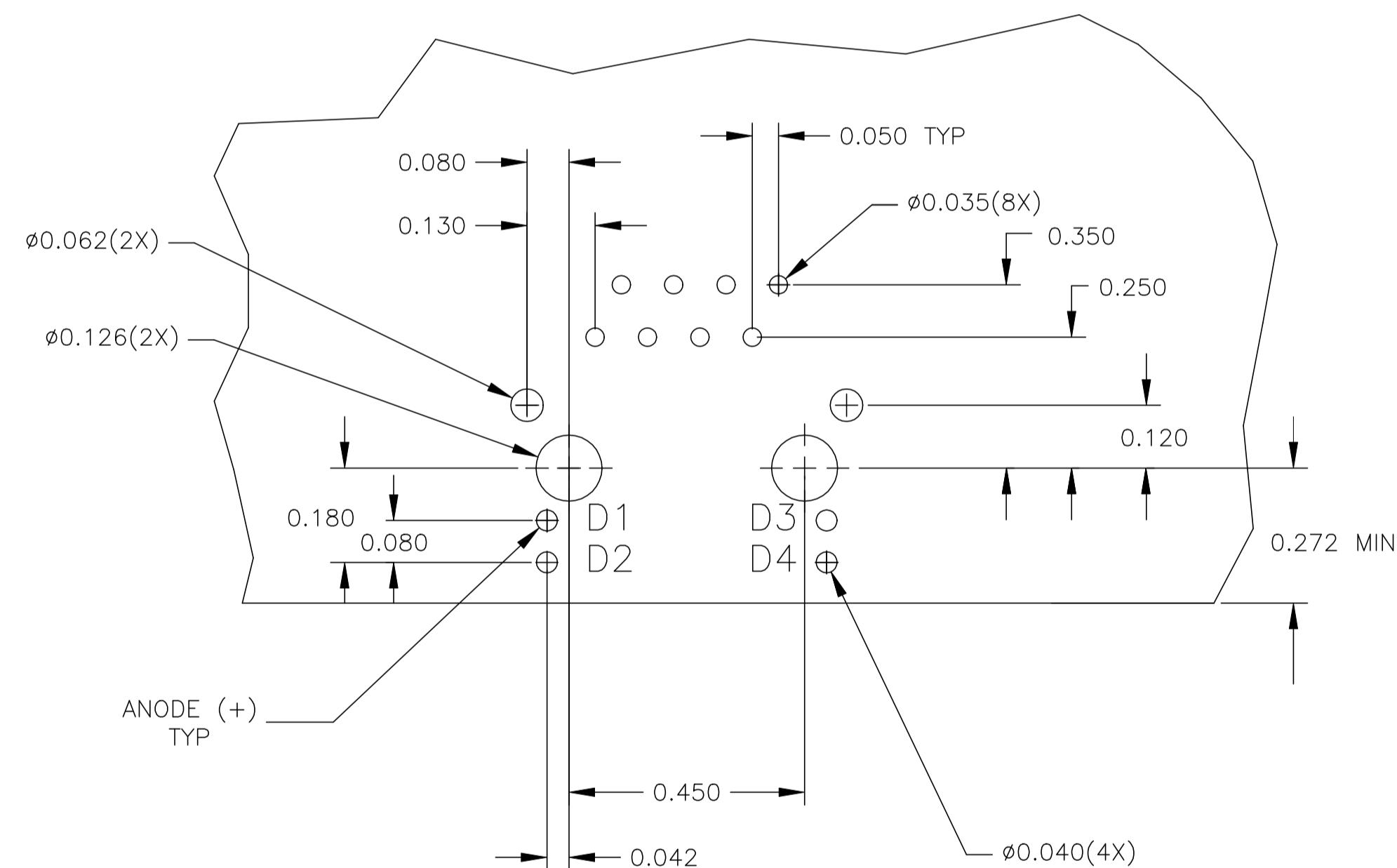


Suggested Panel Cutout

726 SERIES MAGNETIC CIRCUIT



C1=1000pF, 2kV DECOUPLING CAPACITOR
 R1-R4 = 75 OHMS, 1/16 W RESISTORS



Suggested PCB Layout

THIS DRAWING IS A CONTROLLED DOCUMENT.

DIMENSIONS:	TOLERANCES UNLESS OTHERWISE SPECIFIED:
INCHES	
0 PLC	± .
1 PLC	± .01
2 PLC	± .010
3 PLC	± .005
4 PLC	± .
ANGLES	± .
PRODUCT SPEC	APPLICATION SPEC
108-2100	-

YES	GREEN	YELLOW	5-6605858-1										
2KV DECOUPLING CAPACITOR	LED1	LED2	PART NUMBER										
<table border="0"> <tr> <td>OWN</td> <td>07MAR2005</td> <td rowspan="4"> </td> <td rowspan="4">DONGGUAN CHINA</td> </tr> <tr> <td>CHK</td> <td>L. VARELA - DOCK5</td> </tr> <tr> <td>D</td> <td>FAROLE</td> </tr> <tr> <td>APVD</td> <td>07MAR2005</td> </tr> </table>				OWN	07MAR2005		DONGGUAN CHINA	CHK	L. VARELA - DOCK5	D	FAROLE	APVD	07MAR2005
OWN	07MAR2005		DONGGUAN CHINA										
CHK	L. VARELA - DOCK5												
D	FAROLE												
APVD	07MAR2005												
MODEL NAME		DESC											
MAGJACK SINGLE		1X1 726 10/100 TAB UP W/ LED											
NON-POE		SIZE	RESTRICTED TO										
CUSTOMER DRAWING		A1	-										
SCALE		SHEET 1 OF 1											
NTS		REV E											