



Chipsmall Limited consists of a professional team with an average of over 10 year of expertise in the distribution of electronic components. Based in Hongkong, we have already established firm and mutual-benefit business relationships with customers from,Europe,America and south Asia,supplying obsolete and hard-to-find components to meet their specific needs.

With the principle of “Quality Parts,Customers Priority,Honest Operation,and Considerate Service”,our business mainly focus on the distribution of electronic components. Line cards we deal with include Microchip,ALPS,ROHM,Xilinx,Pulse,ON,Everlight and Freescale. Main products comprise IC,Modules,Potentiometer,IC Socket,Relay,Connector.Our parts cover such applications as commercial,industrial, and automotives areas.

We are looking forward to setting up business relationship with you and hope to provide you with the best service and solution. Let us make a better world for our industry!



Contact us

Tel: +86-755-8981 8866 Fax: +86-755-8427 6832

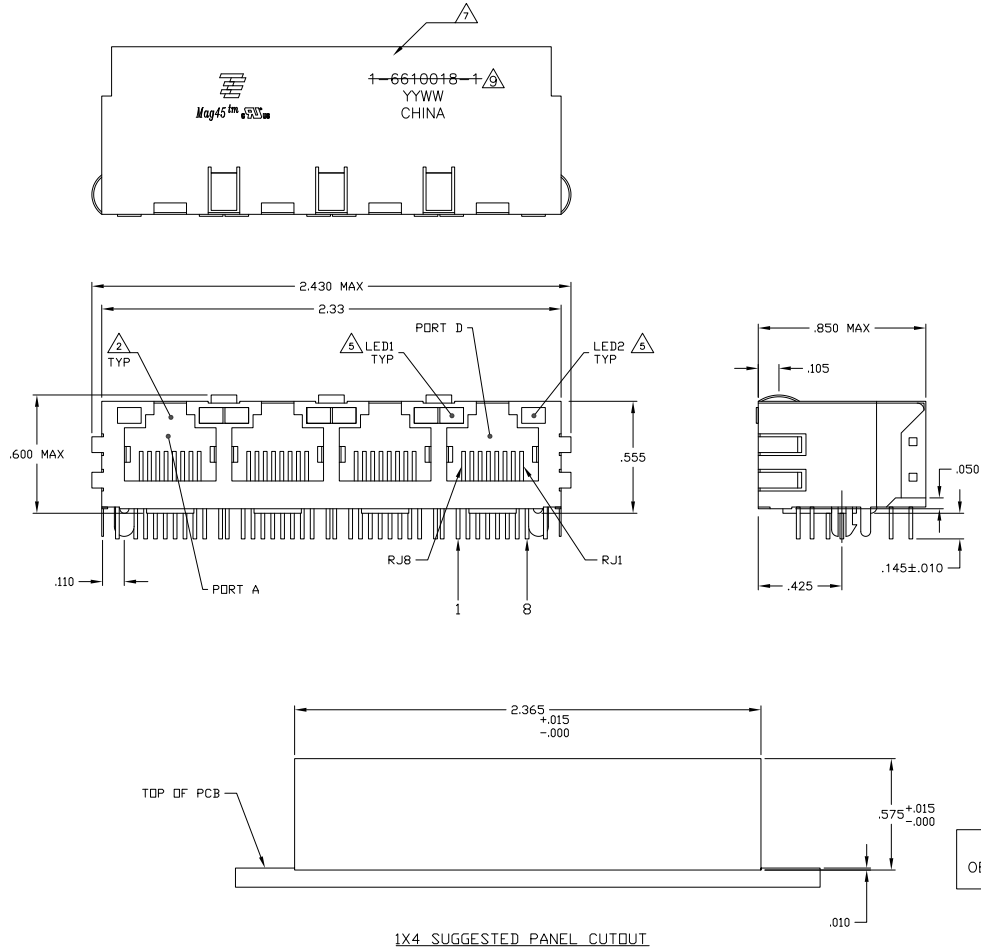
Email & Skype: info@chipsmall.com Web: www.chipsmall.com

Address: A1208, Overseas Decoration Building, #122 Zhenhua RD., Futian, Shenzhen, China



REV	DATE	DESCRIPTION	BY	CHK
AA	22			
B		REV PER ECO-34-42822	DAW3206	DC TX
B1		REVISED PER ECO-09-024927	11N0909	KK AEG

MECHANICAL:



- 1. MATERIALS:
 - HOUSING - THERMOPLASTIC PET POLYESTER FLAMMABILITY RATING UL 94V-0.
 - SHIELD - .010" THICK, C26890 BRASS PREPLATED WITH 30UNCH MIN SEMI-BRIGHT NICKEL.
 - SOLDER TABS POST DIPPED WITH 100UNCH MIN SAC SOLDER.
 - MOD JACK CONTACTS - 0.0157 X 0.018" PHOSPHOR BRONZE, .50UNCH MIN OVERALL NICKEL UNDERPLATE WITH SELECT .50UNCH MIN HARD GOLD FINISH PLATE. SOLDER TAILS WITH 100UNCH MIN MATE TIN AND/OR SAC SOLDER DIP.
 - LIGHT EMITTING DIODE(LED) - DIFFUSED EPOXY LENS, .020" X .020" CARBON STEEL WIREFRAME LEADS PRE-PLATED WITH 80UNCH SILVER OVER .40UNCH NICKEL UNDERPLATE OVER .40UNCH COPPER UNDERPLATE. POST-PLATED WITH 100UNCH MATE TIN AND/OR SAC SOLDER DIP OR PURE TIN SOLDER DIP.
- 2. RJ45 JACK CAVITY CONFORMS TO FCC RULES AND REGULATIONS PART 68, SUB PART F.
- 3. MAGNETICS
 - IMPEDANCE: 100 OHMS
 - TURNS RATIO (CHP CABLE): TX = 11, RX = 11
 - OPEN CIRCUIT INDUCTANCE (OCL): 350nH MIN @100MHz, 0.1Vrms,
 - 8nADC BIAS FROM 0°C TO 70°C, TX AND RX
 - PERFORMANCE @ 25°C:
 - INSERTION LOSS (IL): 1.5dB MAX FROM 0.5MHz TO 100MHz
 - RETURN LOSS (RL): 18dB MIN FROM 0.5MHz TO 30MHz
 - 18-20LOG(I)/30dB MIN FROM 30 MHz TO 60MHz
 - 30dB MIN FROM 60 MHz TO 80MHz
 - CROSSTALK ATTENUATION: 35dB MIN FROM 0.5MHz TO 40MHz
 - 33-20-LOG(I)/50dB MIN FROM 4.0MHz TO 100MHz
 - COMMON MODE REJECTION RATIO (CMRR): 30dB MIN FROM 0.5MHz TO 100MHz
 - ISOLATION VOLTAGE: COMPLIES WITH IEEE802.3 2002, PARA 23.5.1.1, ITEM b.
 - 4. TEMPERATURE: FROM 0° TO +70°C
- 5. THE 250 OHM LED RESISTORS ARE OPTIONAL. PLEASE SEE CHART FOR PRESENCE OR ABSENCE OF LED RESISTORS. IF THE LED WITHOUT 250 OHM RESISTORS, LED IS DRIVEN WITH CONSTANT CURRENT AT APPROX 20mA.
 - LED COLOR/DOMINANT WAVELENGTH(GREEN 568nm TYP. AT IF=20mA
 - LED COLOR/DOMINANT WAVELENGTH(YELLOW 588nm TYP. AT IF=20mA
 - FORWARD VOLTAGE (VF): GREEN 2.2V TYP. AT IF=20mA
 - DOMINANT WAVELENGTH(YELLOW 588nm TYP. AT IF=20mA
 - FORWARD VOLTAGE (VF): YELLOW 2.1V TYP. AT IF=20mA
 - IF THE LED WITH 250 OHM RESISTORS, LED IS DRIVEN WITH 5V VOLTAGE AND THE MAX OPERATING CURRENT IS 20mA.
 - LED COLOR/DOMINANT WAVELENGTH(GREEN 568nm TYP. AT VF=5V
 - FORWARD CURRENT (IF): GREEN 12 mA TYP. AT VF=5V
 - DOMINANT WAVELENGTH (Y): YELLOW 588nm TYP. AT VF=5V
 - FORWARD CURRENT (IF): YELLOW 13 mA TYP. AT VF=5V
- 6. INDICATED CONNECTIONS ARE FOR NIC CONFIGURATION. THE MAGNETICS ARE ASYMMETRICAL AND DO NOT SUPPORT AUTO-INDUCTION.
- 7. TYCO ELECTRONICS LOGO, PART NUMBER, DATE CODE, COUNTRY OF ORIGIN AND AGENCY APPROVAL MARKING IS APPROXIMATE LOCATION SHOWN.
- 8. THESE PARTS ARE RECOMMENDED FOR WAVE SOLDERING PROCESS. PREHEAT TEMPERATURE IS 120°C TO 160°C, 100 SECONDS TO 180 SECONDS, PEAK WAVE SOLDERING TEMPERATURE IS 260°C MAX, 10 SECONDS MAX.
- 9. OBSOLETE PARTS: OBSOLETE (S) STREAMLINING PER D.BENAUD/D.SINISI

NO	NO	YES	GREEN	GREEN	5-6610018-7
NO	NO	YES	GREEN/YELLOW	GREEN/YELLOW	5-6610018-6
YES	YES	YES	GREEN	YELLOW	5-6610018-1
YES	YES	NO	GREEN	GREEN	4-6610018-1
NO	NO	NO	GREEN/YELLOW	GREEN	6610018-5

LED1 RESISTOR LED2 RESISTOR LED1 LED2 PART NUMBER

THIS DRAWING IS A CONTROLLED DOCUMENT. SEE THE DRAWING FOR THE DATE CODE AND THE DATE OF THE DRAWING.

DATE: 06/11/09

REVISED TO: 06/11/09

REVISED BY: A1

REVISED FOR: 06610018

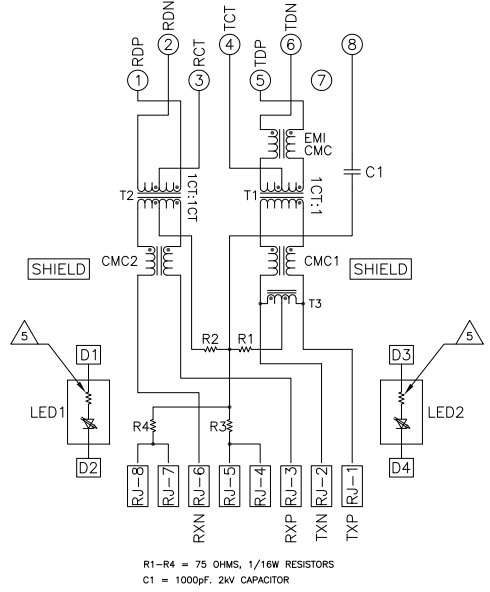
REVISED BY: A1

REVISED FOR: 06610018

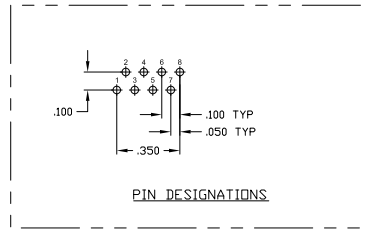
REVISED BY: A1

REVISED FOR: 06610018

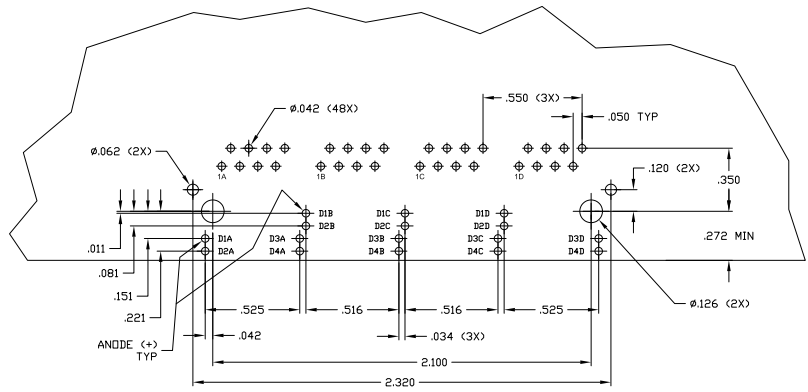
717 SERIES MAGNETIC CIRCUIT



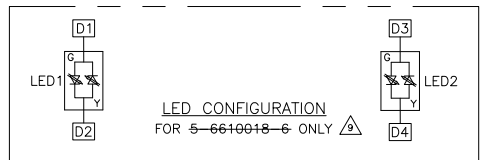
R1-R4 = 75 OHMS, 1/16W RESISTORS
 C1 = 1000pF, 2KV CAPACITOR



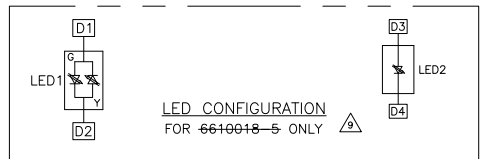
PIN DESIGNATIONS



SUGGESTED PCB LAYOUT



LED CONFIGURATION FOR 5-6610018-6 ONLY



LED CONFIGURATION FOR 6610018-5 ONLY

THIS DRAWING IS A CONTROLLED DOCUMENT.		REV	DATE	DESCRIPTION	BY	CHK	APP
DRAWING NO.		AA	22	SEE SHEET 1			
REVISIONS							
TOLERANCES UNLESS SPECIFIED:		TYS Electronics Corporation ChangPing, China					
FINISH	FINISH	1X4 MAG45(TM) MODULAR JACK, 7N2 SCHEMATIC, 17 SERIES CIRCUIT, SHIELDED, WITH LEADS					
DATE	DATE	DATE	DATE	DATE	DATE	DATE	DATE
108-2100	108-2100	108-2100	108-2100	108-2100	108-2100	108-2100	108-2100
100779	100779	100779	100779	100779	100779	100779	100779
CUSTOMER DRAWING		A1		00779		6610018	
PAGE		4		1		1	