



Chipsmall Limited consists of a professional team with an average of over 10 year of expertise in the distribution of electronic components. Based in Hongkong, we have already established firm and mutual-benefit business relationships with customers from,Europe,America and south Asia,supplying obsolete and hard-to-find components to meet their specific needs.

With the principle of "Quality Parts,Customers Priority,Honest Operation,and Considerate Service",our business mainly focus on the distribution of electronic components. Line cards we deal with include Microchip,ALPS,ROHM,Xilinx,Pulse,ON,Everlight and Freescale. Main products comprise IC,Modules,Potentiometer,IC Socket,Relay,Connector.Our parts cover such applications as commercial,industrial, and automotives areas.

We are looking forward to setting up business relationship with you and hope to provide you with the best service and solution. Let us make a better world for our industry!



## Contact us

Tel: +86-755-8981 8866 Fax: +86-755-8427 6832

Email & Skype: info@chipsmall.com Web: www.chipsmall.com

Address: A1208, Overseas Decoration Building, #122 Zhenhua RD., Futian, Shenzhen, China

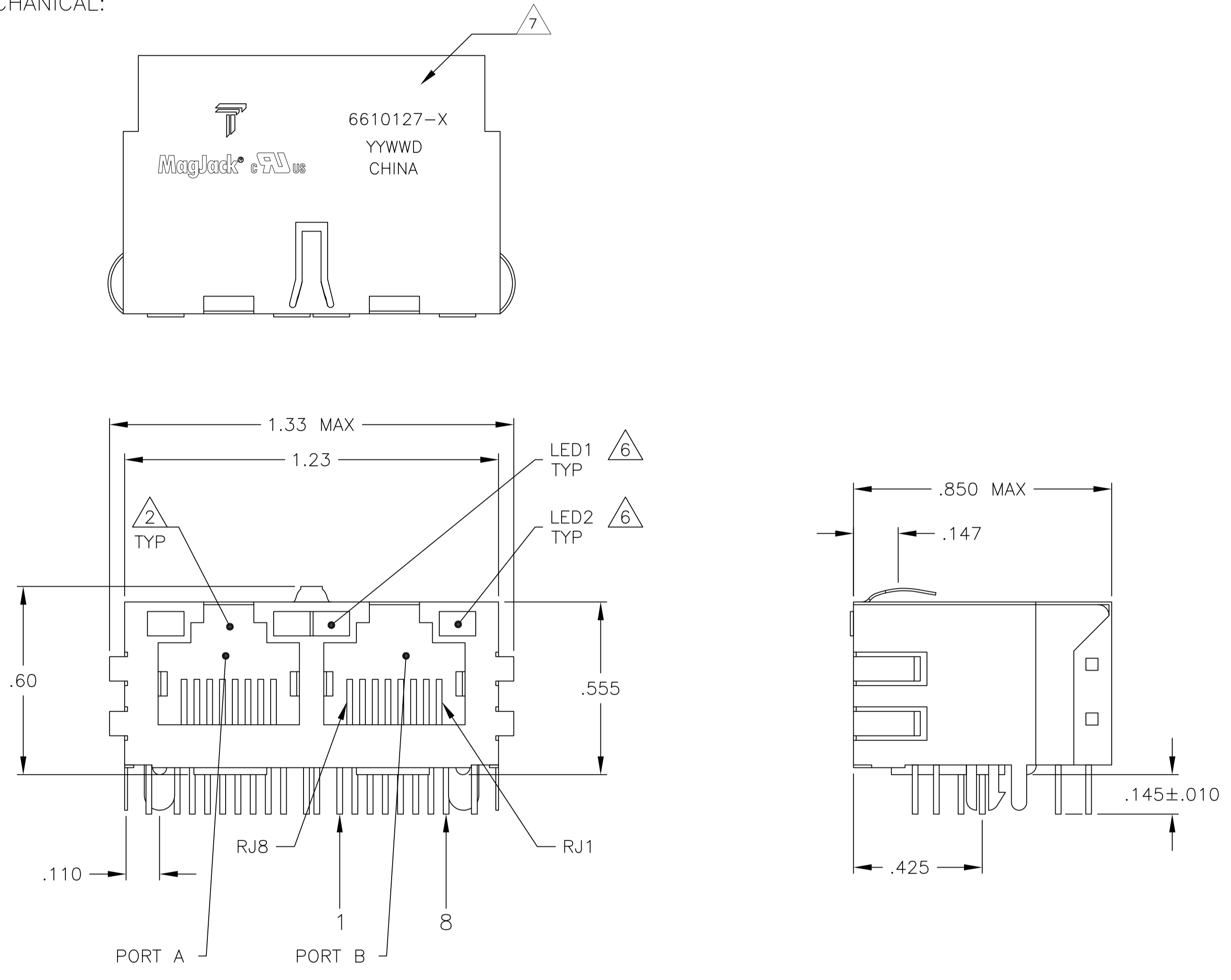


THIS DRAWING AND THE SUBJECT MATTER SHOWN THEREON ARE CONFIDENTIAL AND THE PROPERTY OF BEL/STEWART/TRP CONNECTOR AND SHALL NOT BE REPRODUCED, COPIED, OR USED IN ANY MANNER WITHOUT THE WRITTEN CONSENT OF TRP CONNECTOR.

PRODUCT MAY BE PROTECTED BY ONE OR MORE OF THE FOLLOWING US PATENTS:  
 5736910 5939955 6425781 6428361 6554638 6840817 7123117  
 7429195 7717749 7808751 6217391 6149050 7924130

REVISIONS				
P	LR	DESCRIPTION	DATE	DWN
E		EC-1411035 COMPANY LOGO CHANGE	05JAN2015	DZ TL

MECHANICAL:



- 1 MATERIALS:
  - HOUSING - THERMOPLASTIC PET POLYESTER FLAMMABILITY RATING UL 94V-0.
  - SHIELD - .010" THICK, C26800 BRASS PREPLATED WITH 30μINCH MIN SEMI-BRIGHT NICKEL. SOLDER TABS POST DIPPED WITH 100μINCH MIN SAC SOLDER.
  - MOD JACK CONTACTS - 0.0157 X 0.018" PHOSPHOR BRONZE, 50μINCH MIN OVERALL NICKEL UNDERPLATE WITH SELECT 50μINCH MIN HARD GOLD FINISH PLATE. SOLDERTAILS WITH 100μINCH MIN MATTE TIN AND/OR SAC SOLDER DIP.
  - LIGHT EMITTING DIODE(LED) - DIFFUSED EPOXY LENS, .020" X .020" CARBON STEEL WIREFRAME LEADS PRE-PLATED WITH 80μINCH SILVER OVER 40μINCH NICKEL UNDERPLATE OVER 40μINCH COPPER UNDERPLATE. POST-PLATED WITH 100μIN MIN MATTE TIN AND/OR SAC SOLDER DIP OR PURE TIN SOLDER DIP.
- 2 RJ45 JACK CAVITY CONFORMS TO FCC RULES AND REGULATIONS PART 68, SUB PART F.
- 3 MAGNETICS
  - IMPEDANCE: 100 OHMS
  - TURNS RATIO (CHIP-CABLE): TX = 11, RX = 11
  - OPEN CIRCUIT INDUCTANCE (OCL): 350μH MIN @100kHz, 0.1VRMS, 8mADC BIAS FROM 0°C TO 70°C, TX AND RX
  - PERFORMANCE @ 25°C:
    - INSERTION LOSS (IL): 1.1dB MAX FROM 0.5MHz TO 100MHz
    - RETURN LOSS (RL): 18dB MIN FROM 0.5MHz TO 30MHz
    - 18-20LOG(f/30)dB MIN FROM 30.1MHz TO 60MHz
    - 12dB MIN FROM 60.1MHz TO 80MHz
    - CROSSTALK ATTENUATION: 35dB MIN FROM 0.5MHz TO 40MHz
    - 33-20\*LOG(f/50)dB MIN FROM 4.01MHz TO 100MHz
    - COMMON MODE REJECTION RATIO (CMRR): 30dB MIN FROM 0.5MHz TO 100MHz
    - ISOLATION VOLTAGE: 2250VDC (MAX) FOR 60 SECONDS WITH A RISE TIME OF 500V/SEC AND WITH ALL PORTS CONNECTED.
- 4. OPERATING TEMPERATURE: FROM 0°C TO +70°C.
- 5 INDICATED CONNECTIONS ARE FOR NIC CONFIGURATION. THE MAGNETICS ARE SYMMETRICAL AND SUPPORT AUTO-MDI/MDIX.
- 6 THE 250 OHM RESISTOR IS OPTIONAL, PLEASE SEE CHART FOR PRESENCE OR ABSENCE OF LED RESISTORS.
  - IF LEDS WITHOUT 250 OHM RESISTOR, LEDS ARE DRIVEN WITH CONSTANT CURRENT AT APPROX 20 mA
  - LED COLOR: DOMINANT WAVELENGTH (AD): GREEN 568 nm TYP @ IF=20 mA
  - FORWARD VOLTAGE (VF): GREEN 2.2V TYP @ IF=20 mA
  - DOMINANT WAVELENGTH (AD): YELLOW 588 nm TYP @ IF=20 mA
  - FORWARD VOLTAGE (VF): YELLOW 2.1V TYP @ IF=20 mA
  - IF LEDS WITH BUILT-IN RESISTOR, LEDS ARE DRIVEN WITH 5V VOLTAGE AND THE MAX OPERATING CURRENT IS 20mA.
  - LED COLOR: DOMINANT WAVELENGTH (AD): GREEN 568 nm TYP @ VF=5V
  - FORWARD CURRENT (IF): GREEN 12mA TYP @ VF=5V
  - DOMINANT WAVELENGTH (AD): YELLOW 588 nm TYP @ VF=5V
  - FORWARD CURRENT (IF): YELLOW 13mA TYP @ VF=5V
- 7 TRP CONNECTOR LOGO, PART NUMBER, DATE CODE, COUNTRY OF ORIGIN AND AGENCY APPROVAL MARKING IN APPROXIMATE LOCATION SHOWN.
- 8. THESE PARTS ARE RECOMMENDED FOR WAVE SOLDERING PROCESS, PREHEAT TEMPERATURE IS 120°C TO 160°C, 120 SECONDS TO 180 SECONDS, PEAK WAVE SOLDERING TEMPERATURE IS 260°C MAX, 10 SECONDS MAX.
- 9 OBSOLETE PARTS: OBSOLETE CIS STREAMLINING PER D.RENAUD/D.SINISI

9 OBSOLETE	GREEN/YELLOW	NO	GREEN/YELLOW	NO	5-6610127-6
	GREEN	YES	YELLOW	YES	<del>5-6610127-1</del>
	LED1 6	250 OHM RESISTOR	LED2 6	250 OHM RESISTOR	PART NUMBER

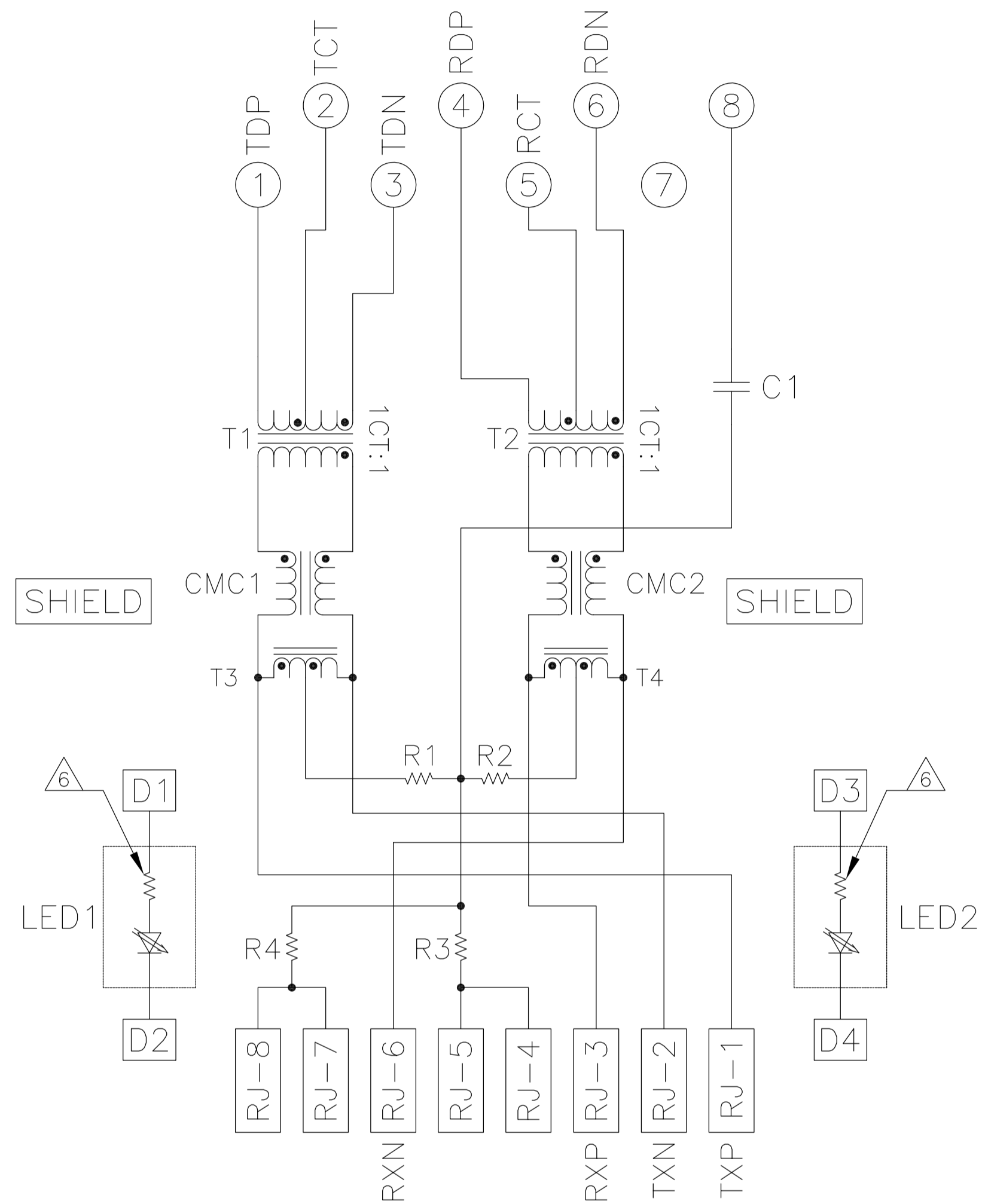
THIS DRAWING IS A CONTROLLED DOCUMENT.

DIMENSIONS: INCHES	TOLERANCES UNLESS OTHERWISE SPECIFIED:	DWN: A. FERNANDEZ 17MAR2005	CHK: D. FAROLE 17MAR2005	APPR: D. FAROLE 17MAR2005	TRP CONNECTOR DONGGUAN CHINA
0 PLC ± -	1 PLC ± -	MODEL NAME: MAG-JACK GANG			DESC: 1X2 715P1 10/100 TAB UP W/ LED
2 PLC ± .010	3 PLC ± .005	NOE-POE			SIZE: A1
4 PLC ± -	ANGLES ± -	PRODUCT SPEC: 108-2100			DRAWING NO: C-6610127
APPLICATION SPEC: -			CUSTOMER DRAWING		

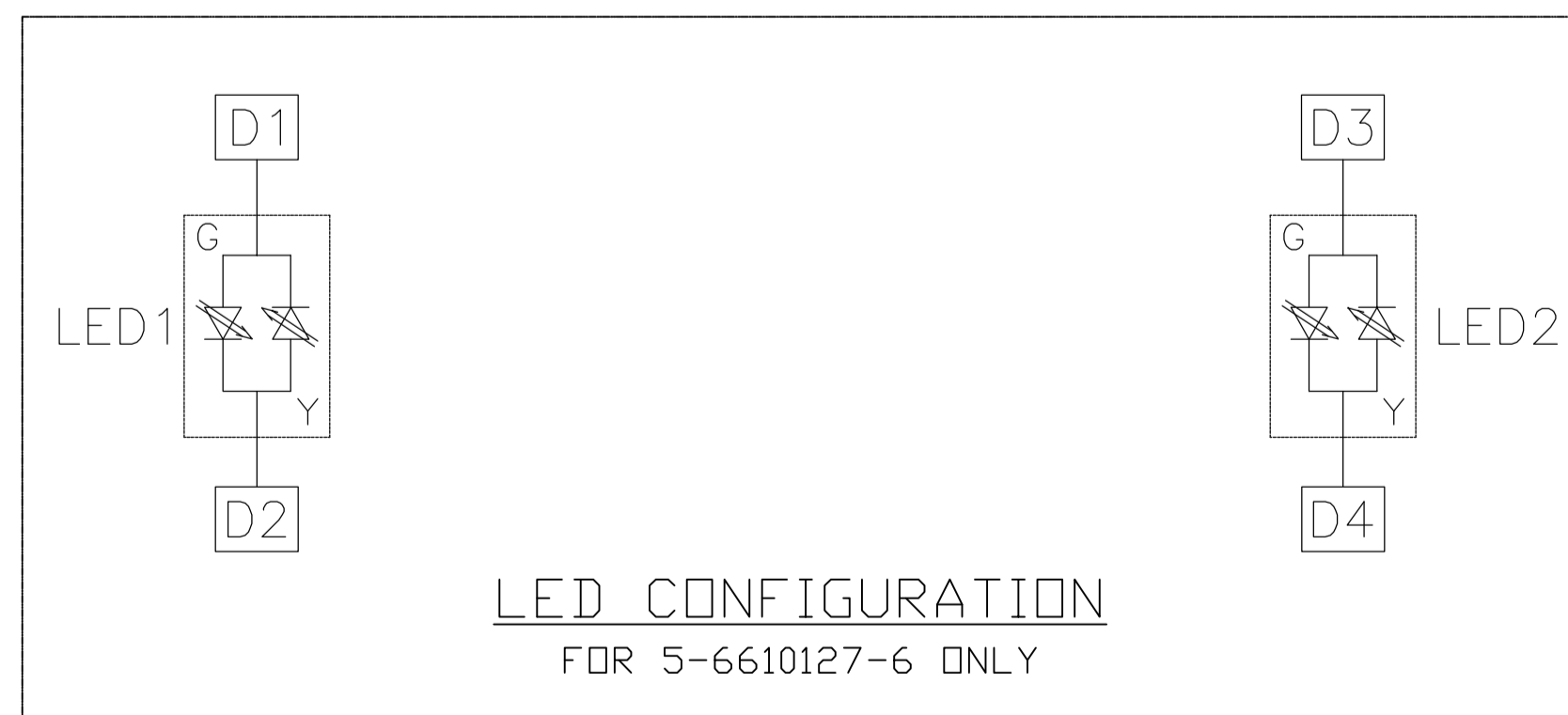
SCALE: NTS SHEET 1 OF 2 REV E

ELECTRICAL:

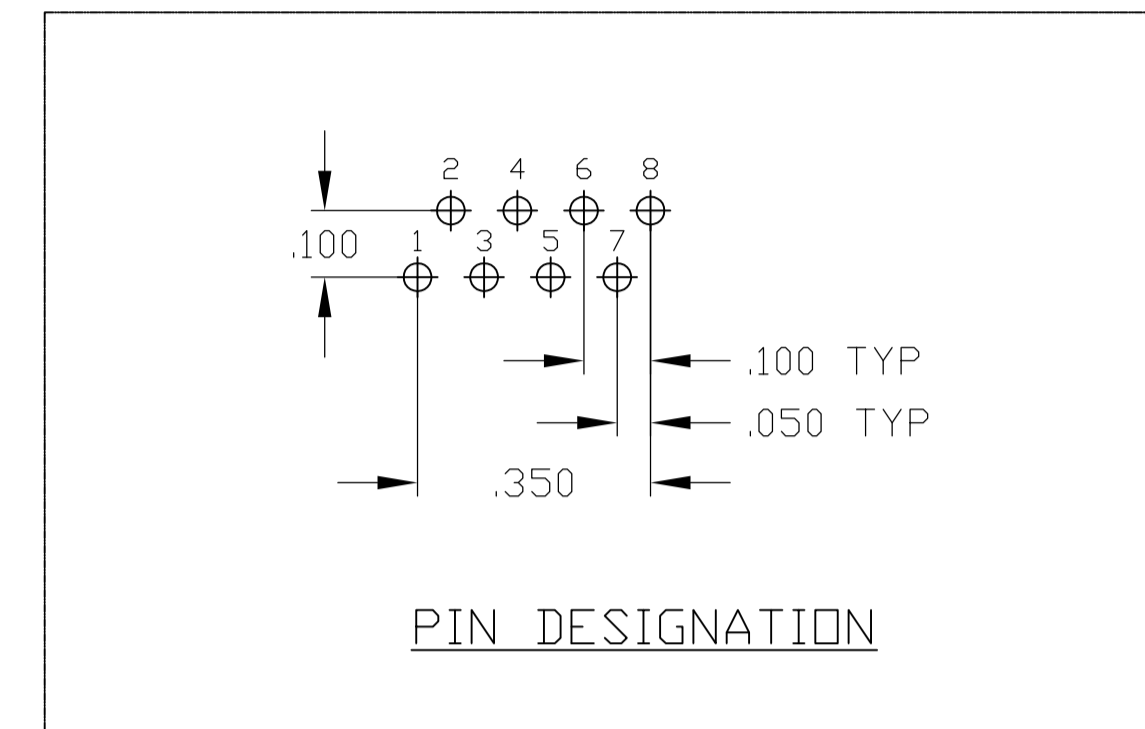
715P1 SERIES MAGNETIC CIRCUIT  $\Delta$   $\Delta$   $\Delta$



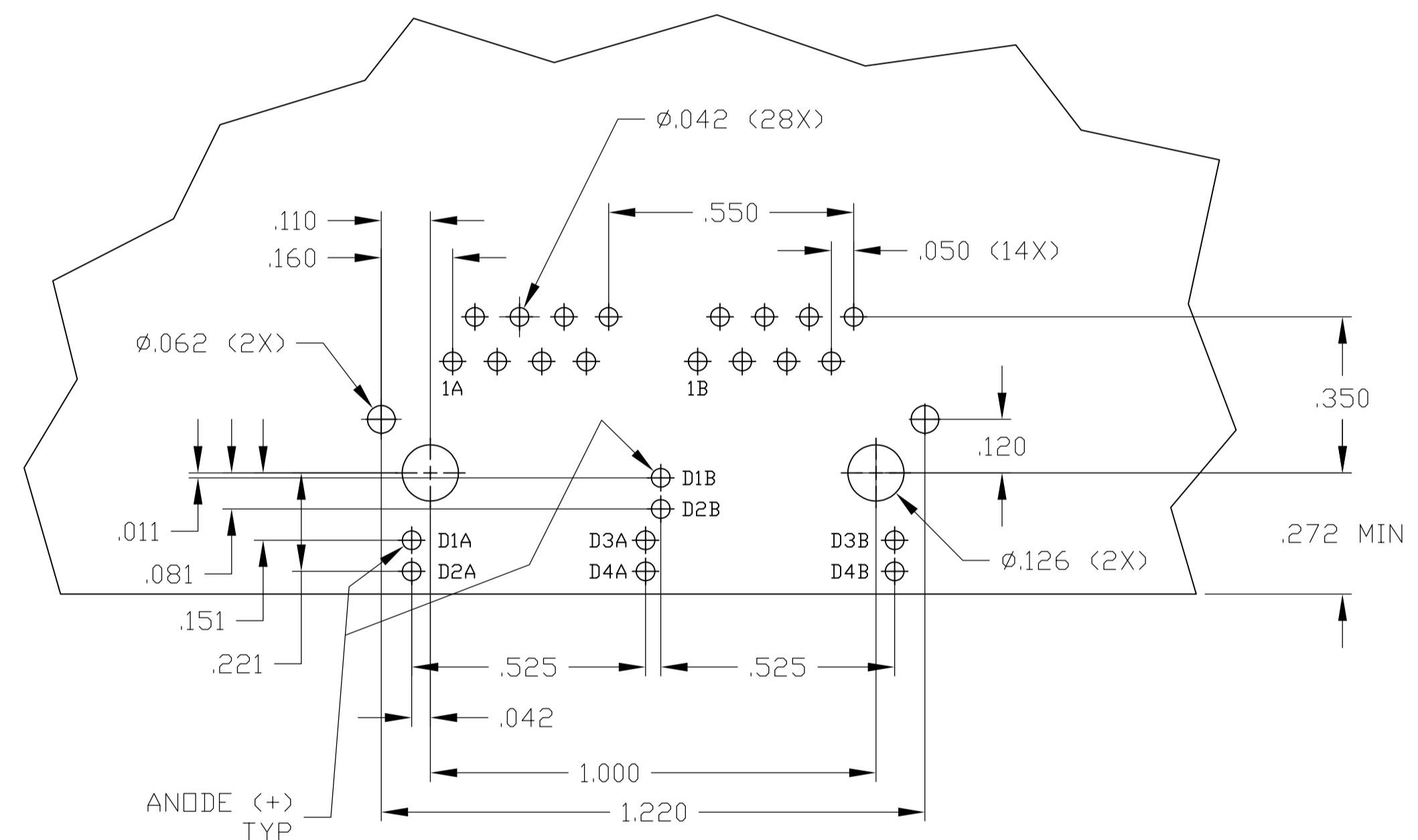
C1= 1000pF 2kV CAPACITOR  
R1-R4 = 75 OHMS, 1/16 W RESISTORS



LED CONFIGURATION  
FOR 5-6610127-6 ONLY



PIN DESIGNATION



SUGGESTED PCB LAYOUT  
(Component Side)

THIS DRAWING IS A CONTROLLED DOCUMENT.		OWN A. FERNANDEZ 17MAR2005	 DONGGUAN CHINA
DIMENSIONS: INCHES		CHK D. FAROLE 17MAR2005	
TOLERANCES UNLESS OTHERWISE SPECIFIED:		APR D. FAROLE 17MAR2005	DESC 1X2 715P1 10/100 TAB UP W/ LED
0 PLC ± - 1 PLC ± - 2 PLC ± .010 3 PLC ± .005 4 PLC ± - ANGLES ± -		MODEL NAME MAGJACK GANG	SIZE A1
PRODUCT SPEC 108-2100		APPLICATION SPEC -	NOE-POE
		CUSTOMER DRAWING	SCALE NTS SHEET 2 OF 2 REV E