



Chipsmall Limited consists of a professional team with an average of over 10 year of expertise in the distribution of electronic components. Based in Hongkong, we have already established firm and mutual-benefit business relationships with customers from,Europe,America and south Asia,supplying obsolete and hard-to-find components to meet their specific needs.

With the principle of "Quality Parts,Customers Priority,Honest Operation,and Considerate Service",our business mainly focus on the distribution of electronic components. Line cards we deal with include Microchip,ALPS,ROHM,Xilinx,Pulse,ON,Everlight and Freescale. Main products comprise IC,Modules,Potentiometer,IC Socket,Relay,Connector.Our parts cover such applications as commercial,industrial, and automotives areas.

We are looking forward to setting up business relationship with you and hope to provide you with the best service and solution. Let us make a better world for our industry!



## Contact us

Tel: +86-755-8981 8866 Fax: +86-755-8427 6832

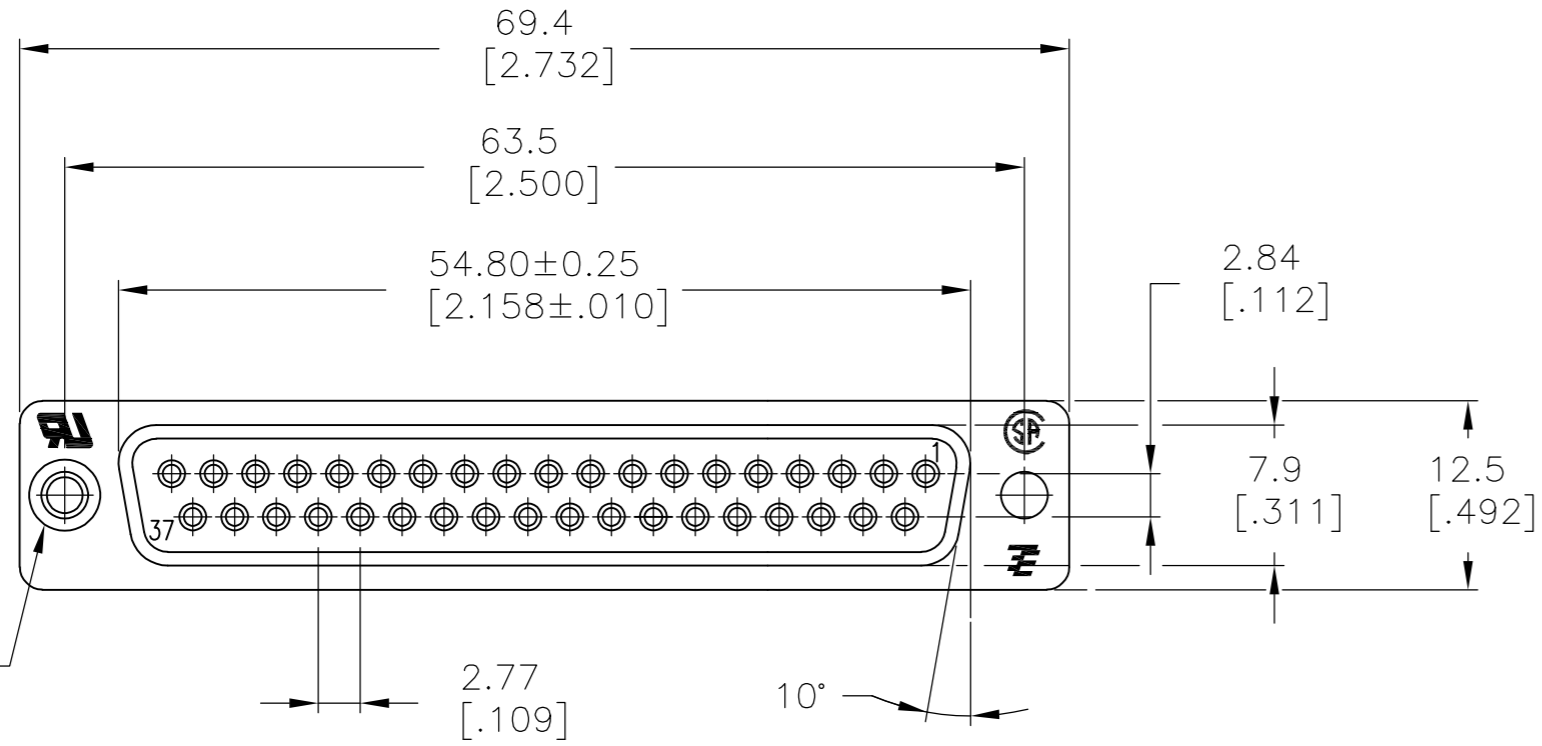
Email & Skype: info@chipsmall.com Web: www.chipsmall.com

Address: A1208, Overseas Decoration Building, #122 Zhenhua RD., Futian, Shenzhen, China

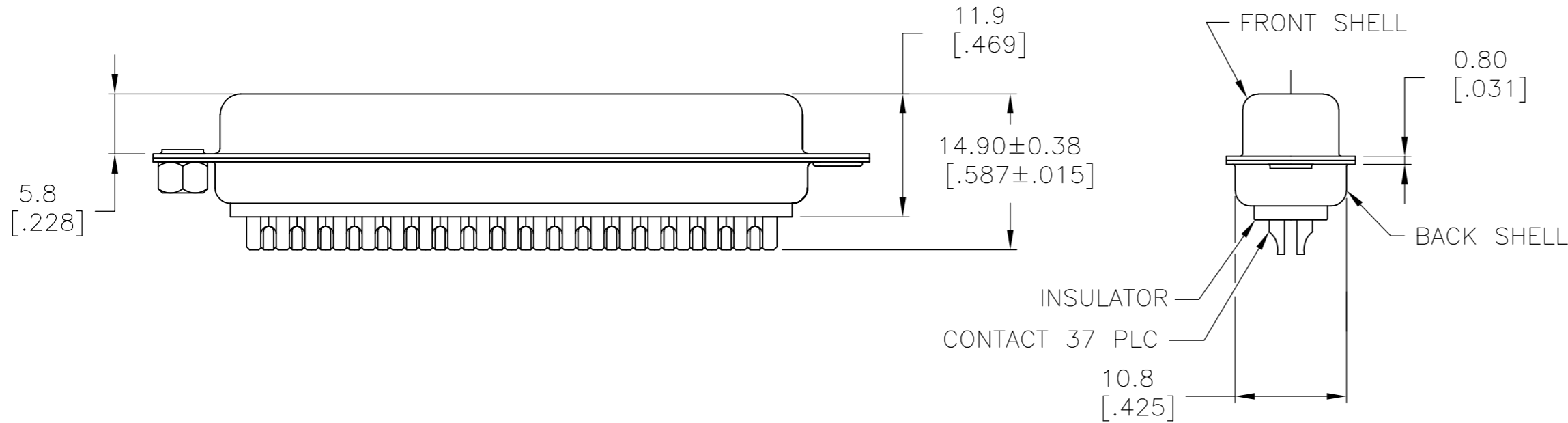


THIS DRAWING IS UNPUBLISHED. RELEASED FOR PUBLICATION  
 © COPYRIGHT - By - ALL RIGHTS RESERVED.

LOC		DIST		REVISIONS			
P	LTR	DESCRIPTION		DATE	DWN	APVD	
GP	00	V		REVISED PER ECO-15-010090	16JUL2015	AP	DG



CLINCH NUT  
4-40UNCx3.0 2 PLC



- 1 MATERIAL:  
FRONT INSULATOR: PBT, 30 %GF, UL94V-0, BLACK COLOR  
BACK INSULATOR: PBT, 30 %GF, UL94V-0, BLACK COLOR  
CONTACT: BRASS  
FRONT SHELL: STEEL  
BACK SHELL: STEEL  
CLINCH NUTS: BRASS
- 2 FINISH:  
CONTACT: GOLD PLATING 0.00002[.000008] MIN ON CONTACT AREA 0.00229 [.000090] MIN TIN-LEAD PLATING ALL OVER 0.00127[.000050] MIN NICKEL
- 3 CONTACT: GOLD PLATING 0.00076[.000030] MIN ON CONTACT AREA 0.00229 [.000090] MIN TIN-LEAD PLATING ALL OVER 0.00127[.000050] MIN NICKEL
- 4 SHELL: BRIGHT TIN 0.00241[.000095] MIN FULL SHELL
- 5 SHELL: BLUE ZINC: 0.00508[.000200] - 0.00762[.000300] OVER ENTIRE SHELL
- 6 CONTACT: GOLD PLATING 0.00002[.000008] MIN ON CONTACT AREA 0.00229 [.000090] MIN HOT DIPPED TIN-COPPER PLATING ALL OVER 0.00127[.000050] MIN NICKEL
- 7 CLINCH NUTS: NICKEL PLATING .00305-.00508[.000120-.000200]
- 8 SPECIFICATION  
ELECTRICAL CHARACTERISTICS: CURRENT RATING: 3 AMPERES  
DIELECTRIC WITHSTANDING VOLTAGE: AC 1000V r.m.s  
INSULATION RESISTANCE: 5000 MEGOHMS MINIMUM AT DC 500V  
CONTACT RESISTANCE: 10 MILLIOHMS MAXIMUM.
- 9 ROHS 2002/95/EC COMPLIANT
- 10 RECEPTACLE ASSEMBLY MATES WITH ANY 37 POSITION PLUG IN AMPLIMITE SERIES
- 11 SOLDER CUP WILL ACCOMMODATE 20 MAX AWG WIRE.
- 12 CONTACT: GOLD PLATING 0.00076[.000030] MIN ON CONTACT AREA 0.00229[.000090] MIN HOT DIPPED TIN-COPPER ALL OVER 0.00127[.000050] MIN NICKEL PLATING

REVISION	DESCRIPTION	DATE	BY	CHKD	APVD
1	STANDARD	NO	6	5	5-747917-4
2	STANDARD	YES	6	4	5-747917-6
3	STANDARD	NO	12	4	5-747917-5
4	STANDARD	NO	6	4	5-747917-2
5	STANDARD	NO	6	4	747917-7
6	STANDARD	YES	2	4	747917-6
7	STANDARD	NO	3	4	747917-5
8	STANDARD	NO	2	5	747917-4
9	STANDARD	NO	2	4	747917-2

THIS DRAWING IS A CONTROLLED DOCUMENT. DIMENSIONING AND TOLERANCING PER ASME Y14.5M-2009		DWN M. BINNER 04MAR03	TE Connectivity	
DIMENSIONS: mm [INCHES]		CHK R. BENDORF 05MAR03	RECEPTACLE ASSEMBLY, SOLDER CUP, SIZE 4, 37 POSN, HD-20, AMPLIMITE	
TOLERANCES UNLESS OTHERWISE SPECIFIED:		APVD R. BENDORF 05MAR03	NAME	RESTRICTED TO
0 PLC ± -	1 PLC ± 0.25	PRODUCT SPEC	SIZE	SCALE
2 PLC ± 0.13	3 PLC ± 0.05	APPLICATION SPEC	CAGE CODE	SHEET
4 PLC ± -	ANGLES ± 4°	WEIGHT	DRAWING NO	REV
MATERIAL	FINISH	CUSTOMER DRAWING	A2 00779	1 of 1
1	SEE TABLE	CLINCH NUTS	C=747917	V