



Chipsmall Limited consists of a professional team with an average of over 10 year of expertise in the distribution of electronic components. Based in Hongkong, we have already established firm and mutual-benefit business relationships with customers from,Europe,America and south Asia,supplying obsolete and hard-to-find components to meet their specific needs.

With the principle of “Quality Parts,Customers Priority,Honest Operation,and Considerate Service”,our business mainly focus on the distribution of electronic components. Line cards we deal with include Microchip,ALPS,ROHM,Xilinx,Pulse,ON,Everlight and Freescale. Main products comprise IC,Modules,Potentiometer,IC Socket,Relay,Connector.Our parts cover such applications as commercial,industrial, and automotives areas.

We are looking forward to setting up business relationship with you and hope to provide you with the best service and solution. Let us make a better world for our industry!



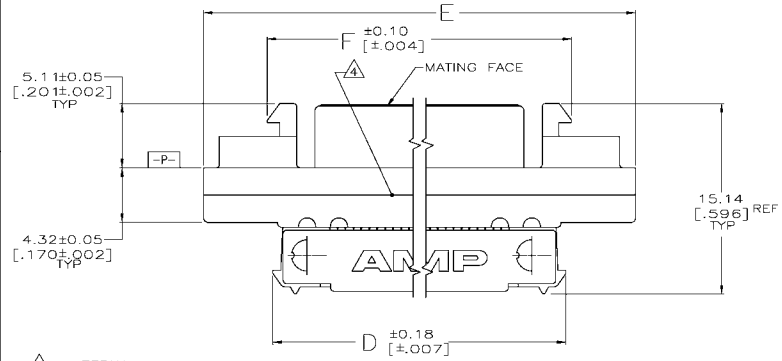
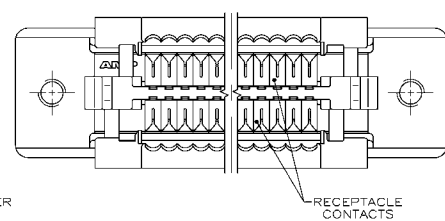
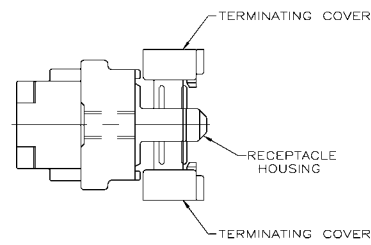
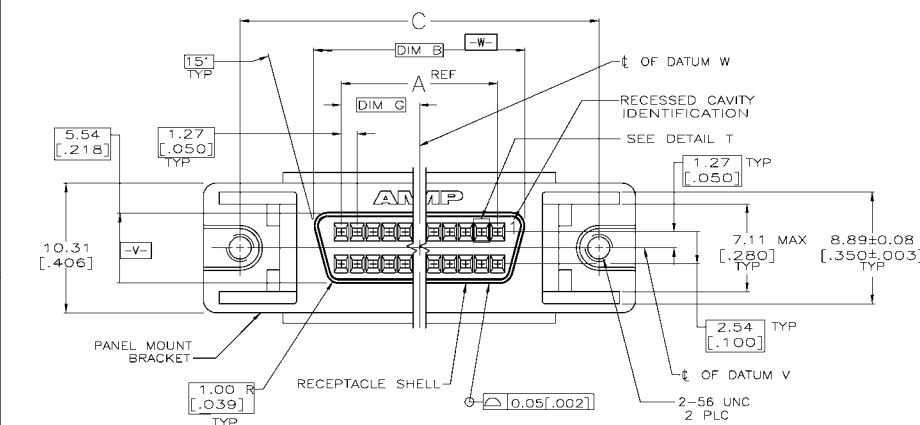
## Contact us

Tel: +86-755-8981 8866 Fax: +86-755-8427 6832

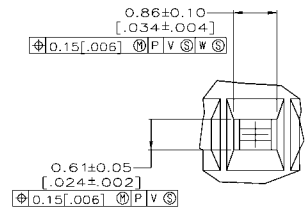
Email & Skype: info@chipsmall.com Web: www.chipsmall.com

Address: A1208, Overseas Decoration Building, #122 Zhenhua RD., Futian, Shenzhen, China





- MATERIAL:**  
 RECEPTACLE CONTACTS- PHOSPHOR BRONZE.  
 RECEPTACLE SHELL- STEEL.  
 PANEL MOUNT BRACKET- ZINC.  
 RECEPTACLE HOUSING AND TERMINATION COVERS- UL V-0 RATED THERMOPLASTIC, COLOR: BLACK.
- PLATING:**  
 RECEPTACLE CONTACTS- 0.76µm [.000030] MIN GOLD IN CONTACT AREA, 1.27µm [.000050] MIN TIN-LEAD IN TERMINATION AREA, ALL OVER 1.27µm [.000050] MIN NICKEL.  
 RECEPTACLE SHELL- 5.08µm [.000200] MIN NICKEL OVER 1.27µm [.000050] MIN COPPER.  
 PANEL MOUNT BRACKET- 5.08µm [.000200] MIN NICKEL OVER 7.62µm [.000300] MIN COPPER.
- 3. RECOMMENDED WIRE:**  
 28 AWG OR 30 AWG, SOLID OR 7 STRANDED, WITH A 0.74-0.91 [.029-.036] INSULATION DIA. OR AMP .050 CENTERLINE 28 AWG, STRANDED, PVC, FLAT GRAY RIBBON CABLE, WIRE MUST BE APPROVED BY AMP INCORPORATED.  
 DATE CODE THIS AREA, EITHER SIDE, SEE TABLE.  
 OBSOLETE PART NUMBER.
- PLATING:**  
 RECEPTACLE CONTACTS- 0.76µm [.000030] MIN GOLD IN CONTACT AREA, 1.27µm [.000050] MIN TIN IN TERMINATION AREA, ALL OVER 1.27µm [.000050] MIN NICKEL.  
 RECEPTACLE SHELL- 5.08µm [.000200] MIN NICKEL OVER 1.27µm [.000050] MIN COPPER.  
 PANEL MOUNT BRACKET- 5.08µm [.000200] MIN NICKEL OVER 7.62µm [.000300] MIN COPPER.



DETAIL T  
 SCALE 20:1  
 TYPICAL

FINISH	DATE CODE	G	F	E	D	C	B	A	NO. OF PINS	PART NO
△	NO	7.62 [.300]	27.05 [1.065]	37.21 [1.465]	26.14 [1.029]	31.24 [1.230]	19.46 [.766]	15.24 [.600]	26	1-749611-2
△	YES	15.24 [.600]	42.29 [1.665]	52.45 [2.065]	41.38 [1.629]	46.48 [1.830]	34.70 [1.366]	30.48 [1.200]	50	△1-749611-1
△	NO	37.46 [1.475]	86.74 [3.415]	96.90 [3.815]	85.83 [3.379]	90.93 [3.580]	79.15 [3.116]	74.93 [2.950]	120	△1-749611-0
△	NO	31.12 [1.225]	74.04 [2.915]	84.20 [3.315]	73.13 [2.879]	78.23 [3.080]	66.45 [2.616]	62.23 [2.450]	100	749611-9
△	NO	24.76 [.975]	61.34 [2.415]	71.50 [2.815]	60.43 [2.379]	65.53 [2.580]	53.75 [2.116]	49.53 [1.950]	80	749611-8
△	NO	20.96 [.825]	53.72 [2.115]	63.88 [2.515]	52.81 [2.079]	57.91 [2.280]	46.13 [1.816]	41.91 [1.650]	68	749611-7
△	NO	18.42 [.725]	48.64 [1.915]	58.80 [2.315]	47.73 [1.879]	52.83 [2.080]	41.05 [1.616]	36.83 [1.450]	60	△749611-6
△	YES	15.24 [.600]	42.29 [1.665]	52.45 [2.065]	41.38 [1.629]	46.48 [1.830]	34.70 [1.366]	30.48 [1.200]	50	749611-5
△	NO	12.06 [.475]	35.94 [1.415]	46.10 [1.815]	35.03 [1.379]	40.13 [1.580]	28.35 [1.116]	24.13 [.950]	40	△749611-4
△	NO	8.26 [.325]	28.32 [1.115]	38.48 [1.515]	27.41 [1.079]	32.51 [1.280]	20.73 [.816]	16.51 [.650]	28	△749611-3
△	NO	5.72 [.225]	23.24 [.915]	33.40 [1.315]	22.33 [.879]	27.43 [1.080]	15.65 [.616]	11.43 [.450]	20	749611-2
△	NO	7.62 [.300]	27.05 [1.065]	37.21 [1.465]	26.14 [1.029]	31.24 [1.230]	19.46 [.766]	15.24 [.600]	26	749611-1

THIS DRAWING IS A CONTROLLED DOCUMENT.

APPROVED BY: M. MOCAFERY 01/25/99  
 DWG. NO: 114-40029  
 DATE: 01/24/99

DESIGNED BY: J. BROCKHARDT 01/25/99  
 DWG. NO: 108-1228  
 DATE: 01/24/99

PRODUCT SPEC: AMP  
 APPLICATION: 114-40029

RECEPTACLE CABLE ASSEMBLY.  
 PANEL MOUNT.  
 AMP/MLITE .050 Series

SCALE: 5:1  
 SHEET: 1 OF 1  
 REV: P