

Chipsmall Limited consists of a professional team with an average of over 10 year of expertise in the distribution of electronic components. Based in Hongkong, we have already established firm and mutual-benefit business relationships with customers from,Europe,America and south Asia,supplying obsolete and hard-to-find components to meet their specific needs.

With the principle of “Quality Parts,Customers Priority,Honest Operation,and Considerate Service”,our business mainly focus on the distribution of electronic components. Line cards we deal with include Microchip,ALPS,ROHM,Xilinx,Pulse,ON,Everlight and Freescale. Main products comprise IC,Modules,Potentiometer,IC Socket,Relay,Connector.Our parts cover such applications as commercial,industrial, and automotives areas.

We are looking forward to setting up business relationship with you and hope to provide you with the best service and solution. Let us make a better world for our industry!



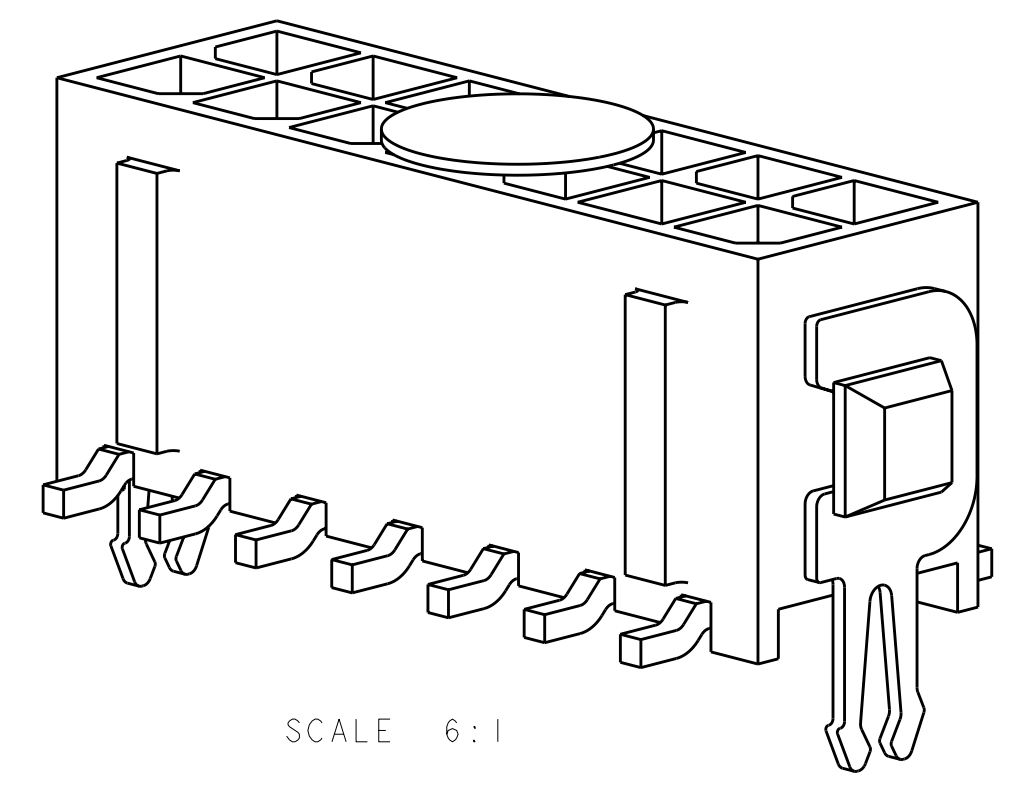
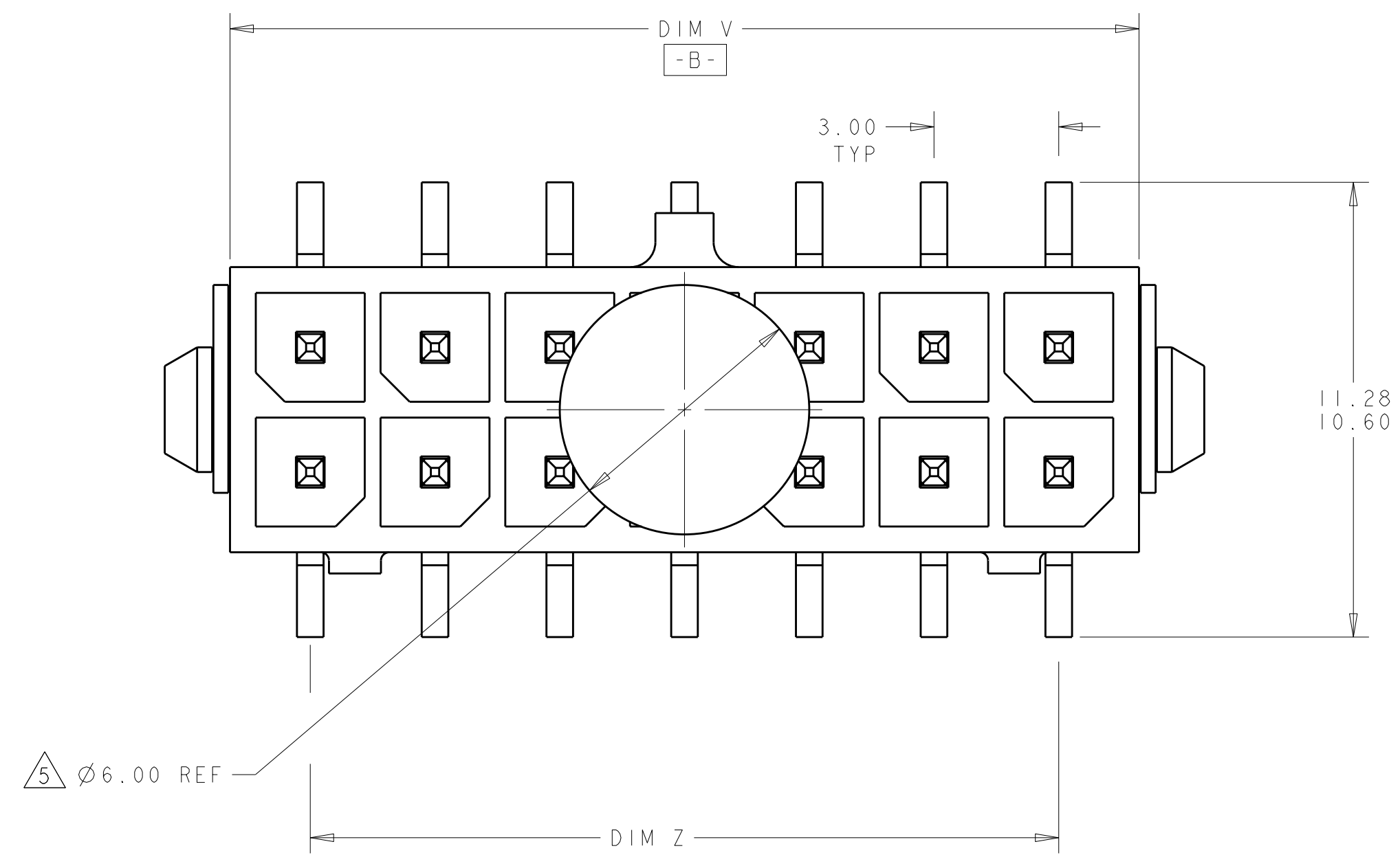
## Contact us

Tel: +86-755-8981 8866 Fax: +86-755-8427 6832

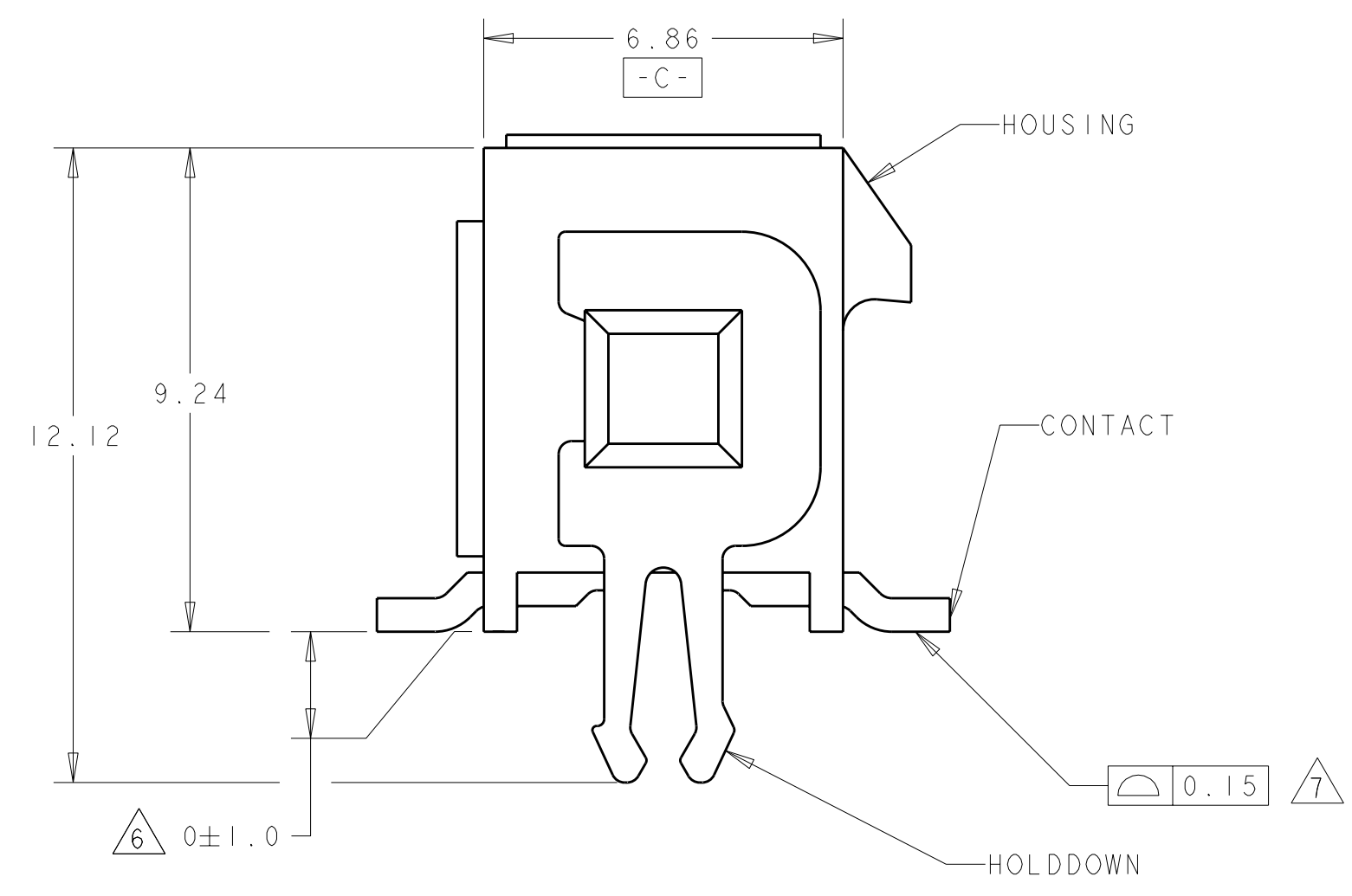
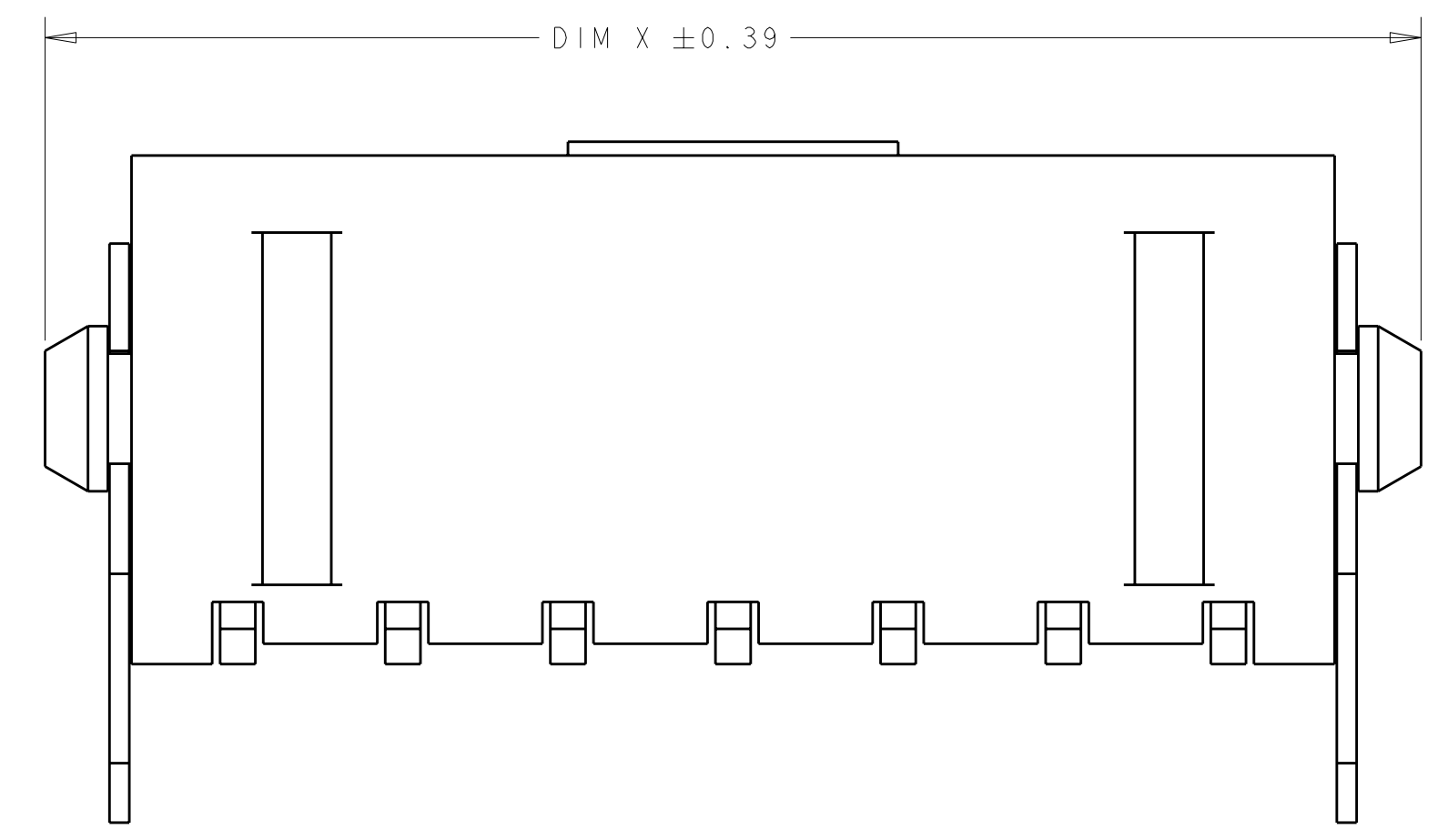
Email & Skype: info@chipsmall.com Web: www.chipsmall.com

Address: A1208, Overseas Decoration Building, #122 Zhenhua RD., Futian, Shenzhen, China

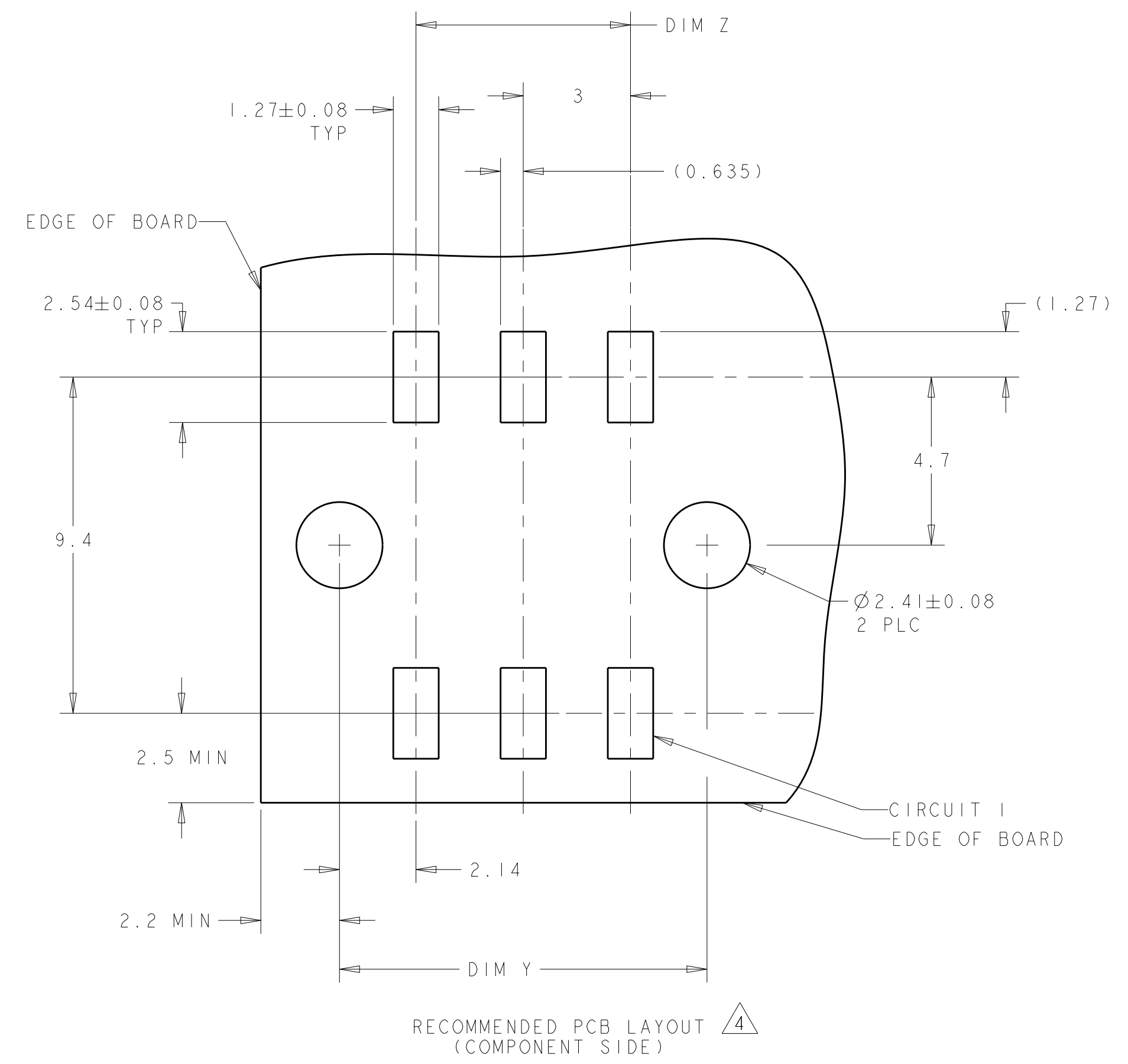
LOC	DIST	REV	DATE	BY	APPD
CM	00	J	15DEC2010	HMR	TM



- 1 MATERIAL:  
CONTACTS - BRASS.  
HOUSING - UL 94V-0 RATED HIGH TEMP NYLON, COLOR; BLACK.  
HOLDDOWNS - PHOSPHOR BRONZE.
- 2 PLATING:  
CONTACTS - 0.76µm MINIMUM GOLD OVER 2.54µm MINIMUM NICKEL.  
ON MATING AREA, 2.54µm TIN-LEAD MINIMUM OVER 2.54µm MINIMUM  
ON SOLDER TAILS.  
HOLDDOWNS - 2.54µm TIN-LEAD.
- 4 RECOMMENDED PC BOARD THICKNESS OF 1.57.
- 5 KAPTON VACUUM PICK UP BUTTON.
- 6 DIMENSION APPLIES TO SOLDER TAIL SURFACES  
AND STANDOFF SURFACES.
- 7 ALL SOLDER TAILS.
- 8 PLATING:  
CONTACTS - 0.76µm MINIMUM GOLD OVER 2.54µm MINIMUM NICKEL.  
ON MATING AREA, 2.54µm MATTE TIN MINIMUM OVER 2.54µm MINIMUM  
ON SOLDER TAILS.  
HOLDDOWNS - 2.54µm MATTE TIN.



UNREEL DIRECTION  
OF REVERSE TAPED  
→



REVERSE TAPED	8	21.86	22.30	18.00	25.00	14	7-794635-4
TAPED	8	36.86	37.30	33.00	40.00	24	5-794635-4
TAPED	8	33.86	34.30	30.00	37.00	22	5-794635-2
TAPED	8	30.86	31.30	27.00	34.00	20	5-794635-0
TAPED	8	27.86	28.30	24.00	31.00	18	4-794635-8
TAPED	8	24.86	25.30	21.00	28.00	16	4-794635-6
TAPED	8	21.86	22.30	18.00	25.00	14	4-794635-4
TAPED	8	18.86	19.30	15.00	22.00	12	4-794635-2
TAPED	8	15.86	16.30	12.00	19.00	10	4-794635-0
TAPED	8	12.86	13.30	9.00	16.00	8	3-794635-8
TAPED	8	9.86	10.30	6.00	13.00	6	3-794635-6
TAPED	8	6.86	7.30	3.00	10.00	4	3-794635-4
LOOSE PIECE	8	3.86	4.30	-	7.00	2	3-794635-2
TAPED	2	36.86	37.30	33.00	40.00	24	2-794635-4
TAPED	2	33.86	34.30	30.00	37.00	22	2-794635-2
TAPED	2	30.86	31.30	27.00	34.00	20	2-794635-0
TAPED	2	27.86	28.30	24.00	31.00	18	1-794635-8
TAPED	2	24.86	25.30	21.00	28.00	16	1-794635-6
TAPED	2	21.86	22.30	18.00	25.00	14	1-794635-4
TAPED	2	18.86	19.30	15.00	22.00	12	1-794635-2
TAPED	2	15.86	16.30	12.00	19.00	10	1-794635-0
TAPED	2	12.86	13.30	9.00	16.00	8	794635-8
TAPED	2	9.86	10.30	6.00	13.00	6	794635-6
TAPED	2	6.86	7.30	3.00	10.00	4	794635-4
LOOSE PIECE	2	3.86	4.30	-	7.00	2	794635-2
PACKAGING	FINISH	DIM V	DIM Y	DIM Z	DIM X	NO. OF POSN.	PART NUMBER

AMP 4805 REV 31MAR2000

Pro/ENGINEER DRAWING

THIS DRAWING IS UNPUBLISHED. RELEASED FOR PUBLICATION BY TYCO ELECTRONICS CORPORATION, ALL RIGHTS RESERVED.

TYCO ELECTRONICS CORPORATION

AMP Incorporated  
Harrisburg, PA 17105-3608

DATE: 19-MAR-2003  
DWN: WHITAKER  
CHK: JONES  
APPD: JONES

NAME: SURFACE MOUNT, VERTICAL, MECHANICAL  
HOLDDOWN, ASSEMBLY, 30 GOLD HEADER,  
DUAL ROW, MICRO MATE-N-LOK(TM)

PRODUCT SPEC: -  
APPLICATION SPEC: -  
SIZE: -  
CAGE CODE: -  
DRAWING NO: A100779C=794635  
RESTRICTED TO: -

WEIGHT: -  
CUSTOMER DRAWING

SCALE: 8:1  
SHEET: 1 OF 1  
REV: J

