



Chipsmall Limited consists of a professional team with an average of over 10 year of expertise in the distribution of electronic components. Based in Hongkong, we have already established firm and mutual-benefit business relationships with customers from,Europe,America and south Asia,supplying obsolete and hard-to-find components to meet their specific needs.

With the principle of “Quality Parts,Customers Priority,Honest Operation,and Considerate Service”,our business mainly focus on the distribution of electronic components. Line cards we deal with include Microchip,ALPS,ROHM,Xilinx,Pulse,ON,Everlight and Freescale. Main products comprise IC,Modules,Potentiometer,IC Socket,Relay,Connector.Our parts cover such applications as commercial,industrial, and automotives areas.

We are looking forward to setting up business relationship with you and hope to provide you with the best service and solution. Let us make a better world for our industry!



## Contact us

Tel: +86-755-8981 8866 Fax: +86-755-8427 6832

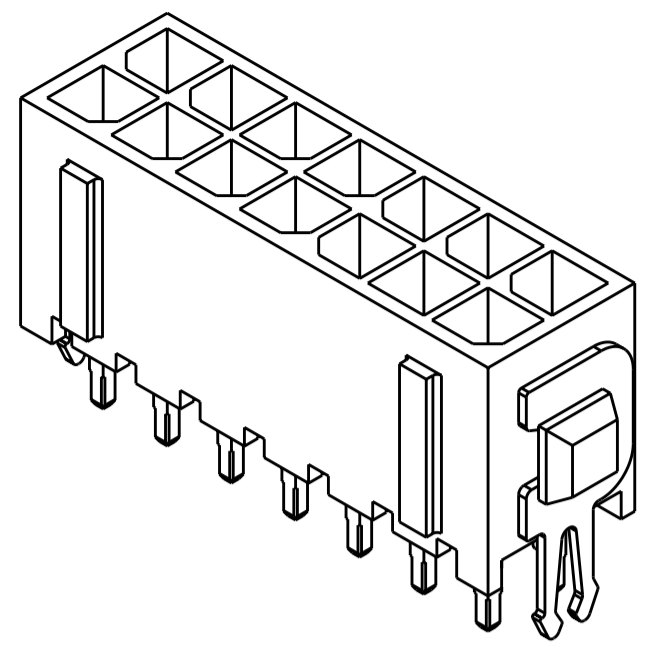
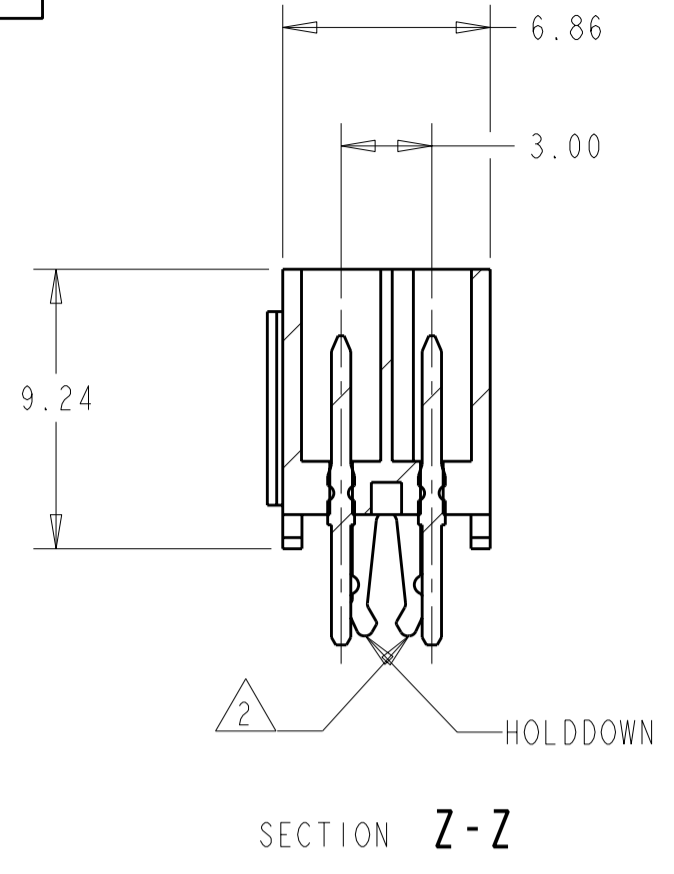
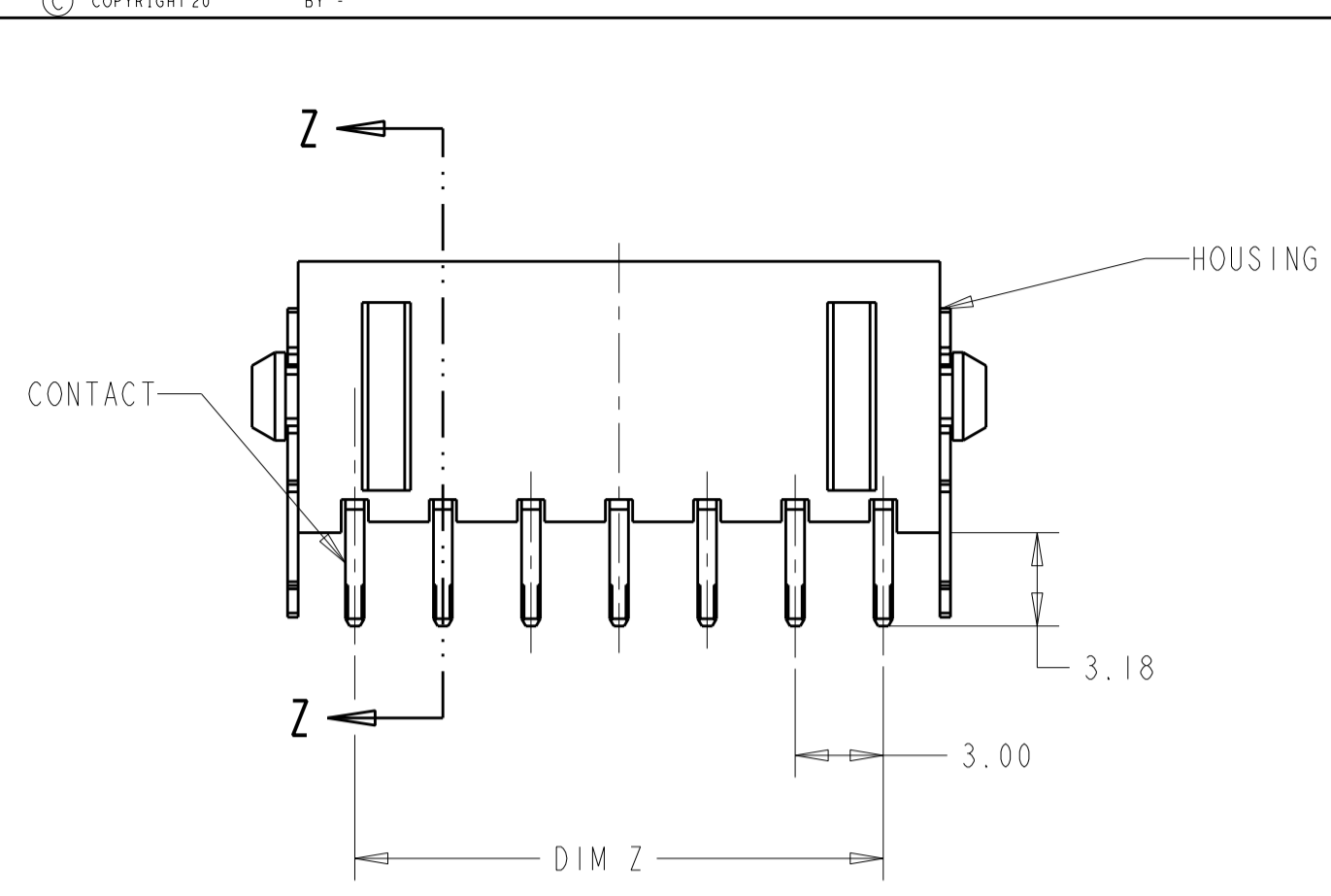
Email & Skype: info@chipsmall.com Web: www.chipsmall.com

Address: A1208, Overseas Decoration Building, #122 Zhenhua RD., Futian, Shenzhen, China

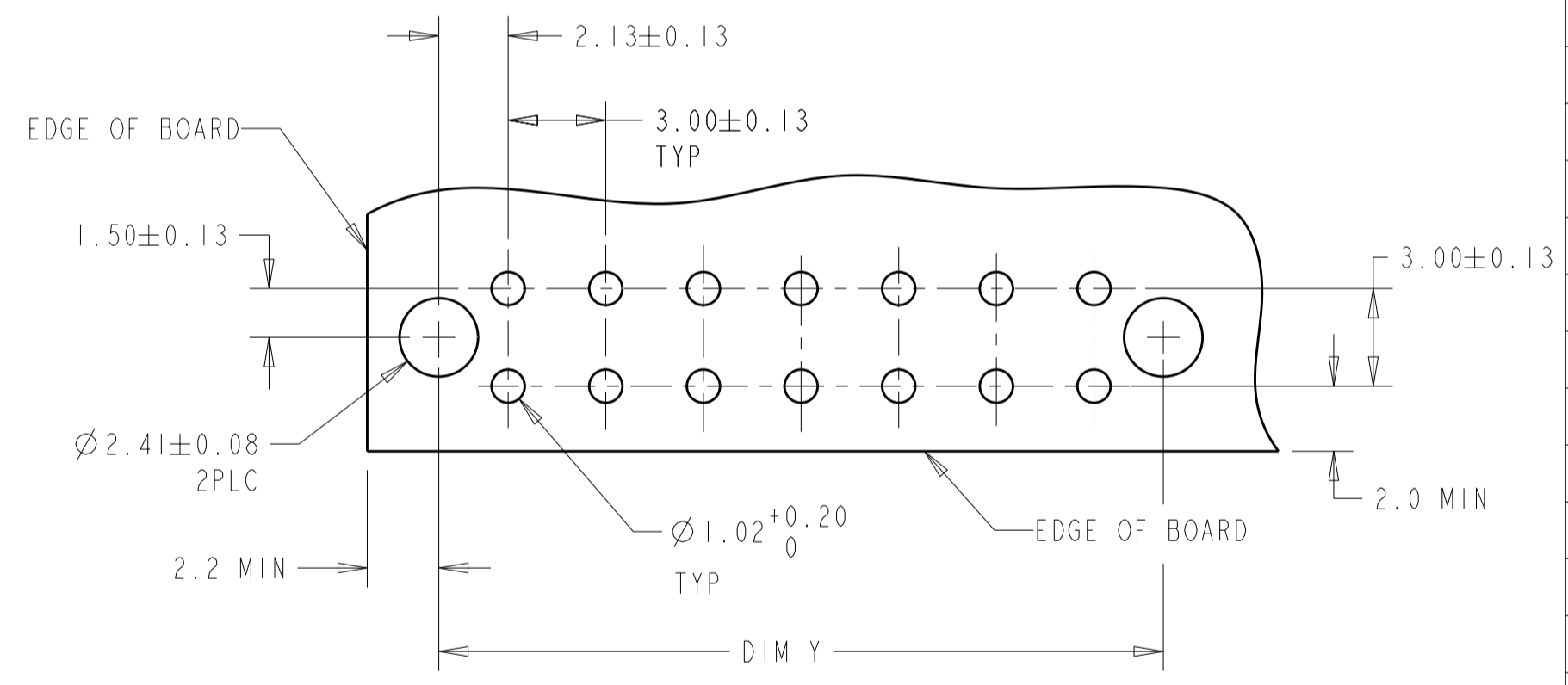
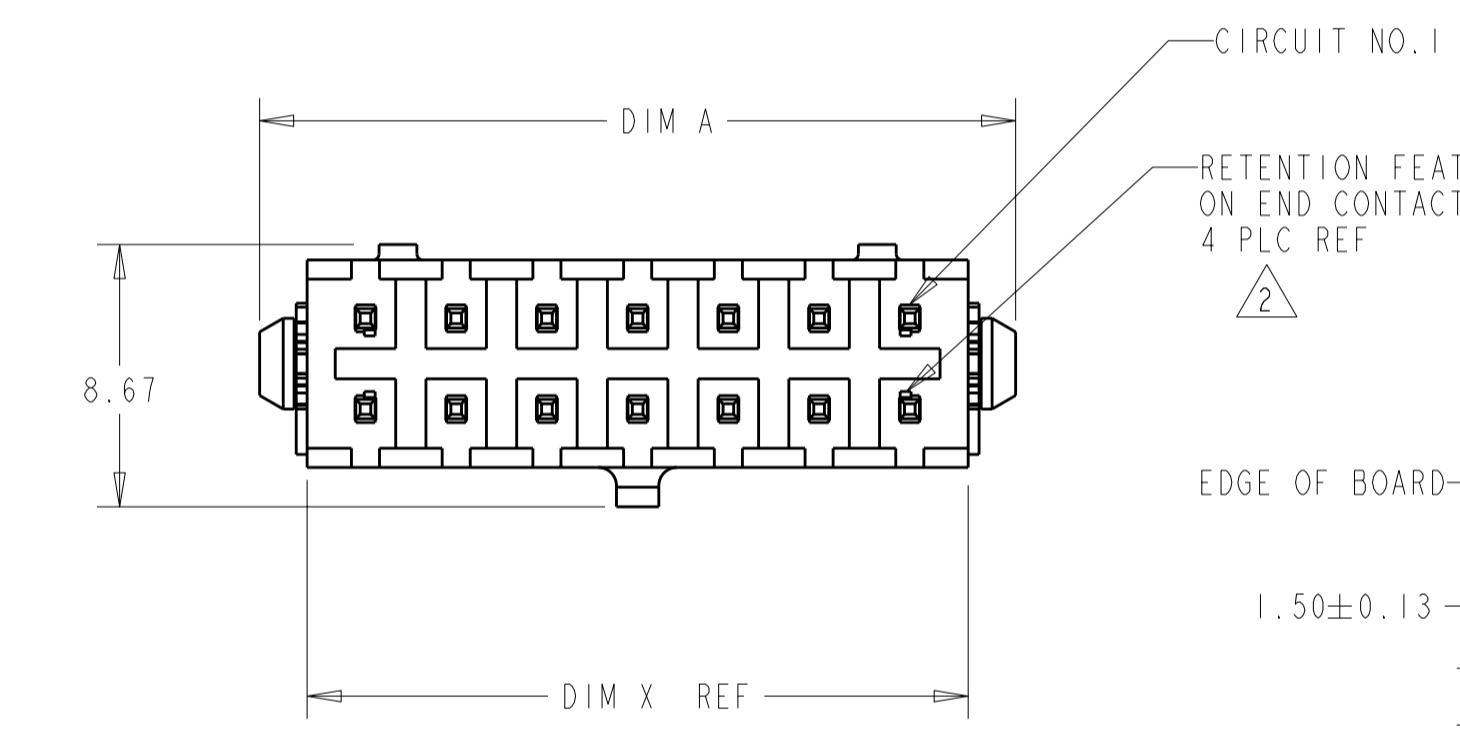


THIS DRAWING IS UNPUBLISHED. RELEASED FOR PUBLICATION  
 © COPYRIGHT 20 BY - ALL RIGHTS RESERVED.

LOC	DIST	REVISIONS					
CM	00	P	LTR	DESCRIPTION	DATE	DWN	APVD
		E2		REVISED PER ECR-12-007353	17MAY2012	KH	TM



3 DIMENSIONAL MODEL



RECOMMENDED MOUNTING HOLE PATTERN SCALE 5:1

1 MATERIAL: HOUSING - NYLON, UL 94V-0, BLACK.  
 CONTACT - BRASS.  
 0.00038 MINIMUM GOLD OVER 0.00254  
 MINIMUM NICKEL ON MATING AREA. 0.00254  
 TIN-LEAD MINIMUM OVER 0.00254 NICKEL  
 MINIMUM ON SOLDER TAILS.  
 HOLDDOWNS: PHOSPHOE BRONZE, .00254 TIN-LEAD.

2 MAXIMUM INSERTION 30 LBS.

3 RECOMMENDED BOARD THICKNESS 1.57.

4 MATERIAL: HOUSING - NYLON, UL 94V-0, BLACK.  
 CONTACT - BRASS.  
 0.00038 MINIMUM GOLD OVER 0.00254  
 MINIMUM NICKEL ON MATING AREA. 0.00254  
 MATTE TIN MINIMUM OVER 0.00254 NICKEL  
 MINIMUM ON SOLDER TAILS.  
 HOLDDOWNS: PHOSPHOE BRONZE, .00254 MATTE TIN.

FINISH	DIM A	DIM Z	DIM Y	DIM X	NO. OF POSN.	PART NUMBER
4	40.00	33.00	37.30	36.86	24	5-794681-4
4	37.00	30.00	34.30	33.86	22	5-794681-2
4	34.00	27.00	31.30	30.86	20	5-794681-0
4	31.00	24.00	28.30	27.86	18	4-794681-8
4	28.00	21.00	25.30	24.86	16	4-794681-6
4	25.00	18.00	22.30	21.86	14	4-794681-4
4	22.00	15.00	19.30	18.86	12	4-794681-2
4	19.00	12.00	16.30	15.86	10	4-794681-0
4	16.00	9.00	13.30	12.86	8	3-794681-8
4	13.00	6.00	10.30	9.86	6	3-794681-6
4	10.00	3.00	7.30	6.86	4	3-794681-4
4	7.00	-	4.30	3.86	2	3-794681-2
1	40.00	33.00	37.30	36.86	24	2-794681-4
1	37.00	30.00	34.30	33.86	22	2-794681-2
1	34.00	27.00	31.30	30.86	20	2-794681-0
1	31.00	24.00	28.30	27.86	18	1-794681-8
1	28.00	21.00	25.30	24.86	16	1-794681-6
1	25.00	18.00	22.30	21.86	14	1-794681-4
1	22.00	15.00	19.30	18.86	12	1-794681-2
1	19.00	12.00	16.30	15.86	10	1-794681-0
1	16.00	9.00	13.30	12.86	8	794681-8
1	13.00	6.00	10.30	9.86	6	794681-6
1	10.00	3.00	7.30	6.86	4	794681-4
1	7.00	-	4.30	3.86	2	794681-2

THIS DRAWING IS A CONTROLLED DOCUMENT.

DWN B. HAYMAKER 17AUG99  
 CHK K. COBLE 17AUG99  
 APVD K. COBLE 17AUG99

STE TE Connectivity

NAME VERTICAL HEADER ASSEMBLY, THRU HOLE, 15 GOLD, DUAL ROW, MICRO MATE-N-LOK™

SIZE A2 CAGE CODE 00779 DRAWING NO. 794681 RESTRICTED TO -

MATERIAL SEE TABLE WEIGHT - SCALE 4:1 SHEET 1 OF 1 REV E2