



Chipsmall Limited consists of a professional team with an average of over 10 year of expertise in the distribution of electronic components. Based in Hongkong, we have already established firm and mutual-benefit business relationships with customers from,Europe,America and south Asia,supplying obsolete and hard-to-find components to meet their specific needs.

With the principle of “Quality Parts,Customers Priority,Honest Operation,and Considerate Service”,our business mainly focus on the distribution of electronic components. Line cards we deal with include Microchip,ALPS,ROHM,Xilinx,Pulse,ON,Everlight and Freescale. Main products comprise IC,Modules,Potentiometer,IC Socket,Relay,Connector.Our parts cover such applications as commercial,industrial, and automotives areas.

We are looking forward to setting up business relationship with you and hope to provide you with the best service and solution. Let us make a better world for our industry!



Contact us

Tel: +86-755-8981 8866 Fax: +86-755-8427 6832

Email & Skype: info@chipsmall.com Web: www.chipsmall.com

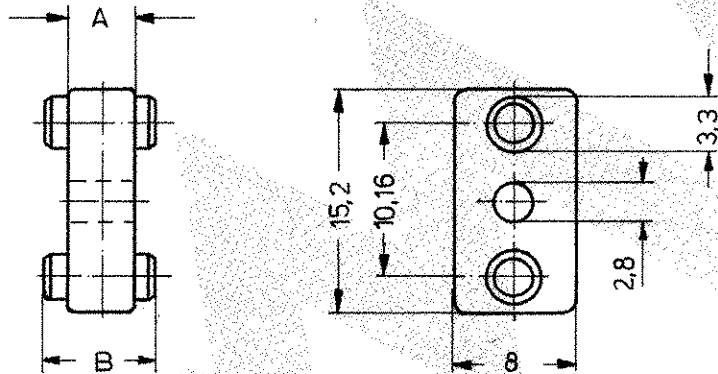
Address: A1208, Overseas Decoration Building, #122 Zhenhua RD., Futian, Shenzhen, China



Zeichnung geschützt durch
 © Copyright 1978
 AMP DEUTSCHLAND GmbH
 Alle Rechte vorbehalten

Index	Änderung	Tag	Name
A1	"TEILE"-NR. WAR "BESTELL"-NR. (PEN 600-3185-01)	7.11.01	S. Schw
A2	REVISED PER ECO-09-026444	27NOV09	AEG


1 OBSOLETE PARTS: OBSOLETE CIS STREAMLINING
 PER D.RENAUD/D.SINISI



Änderungen, die dem technischen Fortschritt dienen, behalten wir uns vor.

Teile- Nr.	A	B
826 199-3	4,6	7,6
826 199-4	2	5

1 OBSOLETE

			 AMP DEUTSCHLAND GmbH Langen b. Ffm.		
			Benennung		
			DISTANZSTÜCK		
		Makrolon	schwarz		K
Bestell- Nr.	Werkstoff	Oberfläche Farbe		Nicht tolerierte Maße	
Gez. 7.3.78 <i>Rein</i>	Gepr.	Gepr.	± mm 0	Format A	Zeichnungs- Nr. 826 199
			Maßstab 2:1	Rev. A2	Blatt- Nr.