



Chipsmall Limited consists of a professional team with an average of over 10 year of expertise in the distribution of electronic components. Based in Hongkong, we have already established firm and mutual-benefit business relationships with customers from,Europe,America and south Asia,supplying obsolete and hard-to-find components to meet their specific needs.

With the principle of “Quality Parts,Customers Priority,Honest Operation,and Considerate Service”,our business mainly focus on the distribution of electronic components. Line cards we deal with include Microchip,ALPS,ROHM,Xilinx,Pulse,ON,Everlight and Freescale. Main products comprise IC,Modules,Potentiometer,IC Socket,Relay,Connector.Our parts cover such applications as commercial,industrial, and automotives areas.

We are looking forward to setting up business relationship with you and hope to provide you with the best service and solution. Let us make a better world for our industry!



Contact us

Tel: +86-755-8981 8866 Fax: +86-755-8427 6832

Email & Skype: info@chipsmall.com Web: www.chipsmall.com

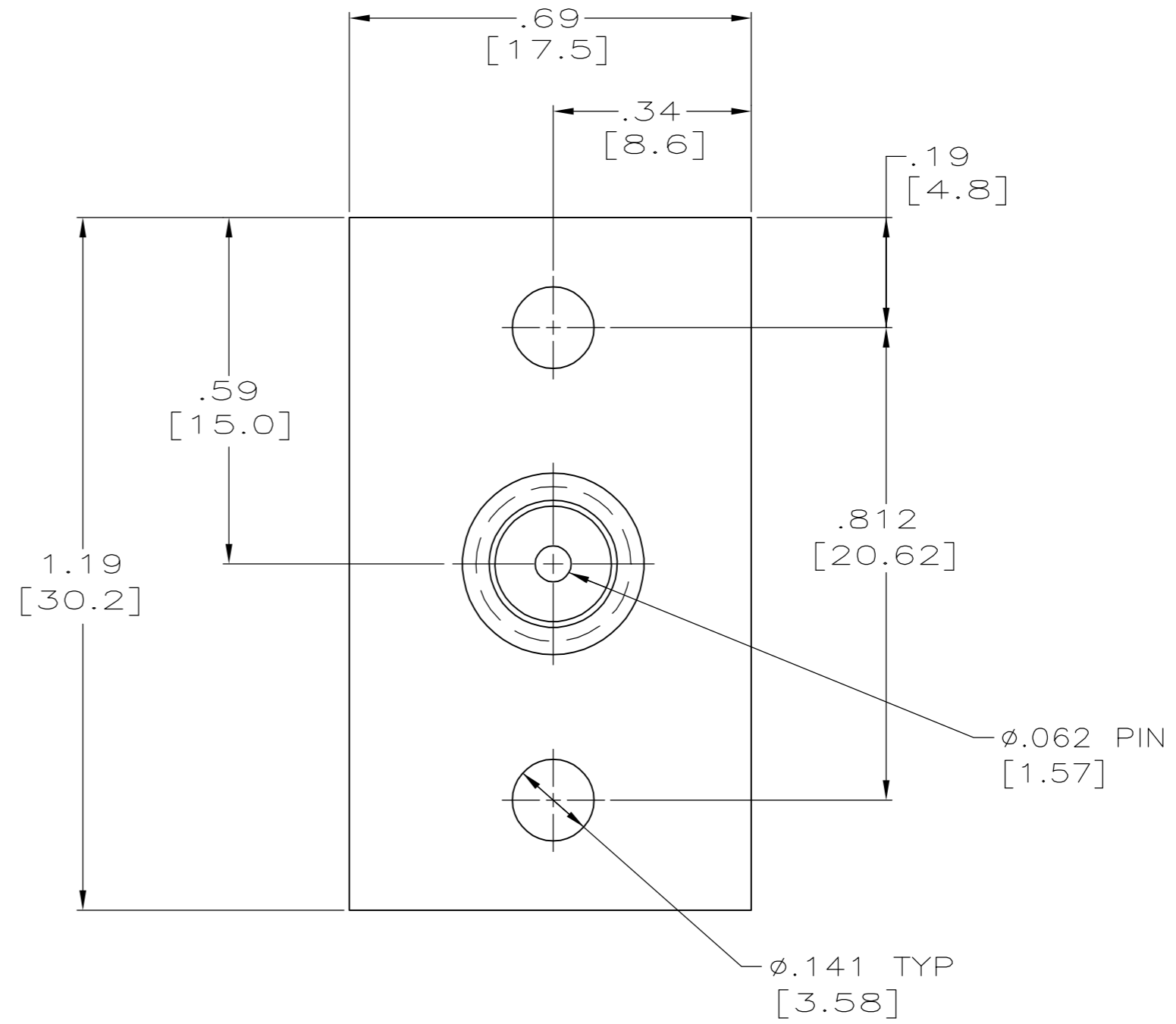
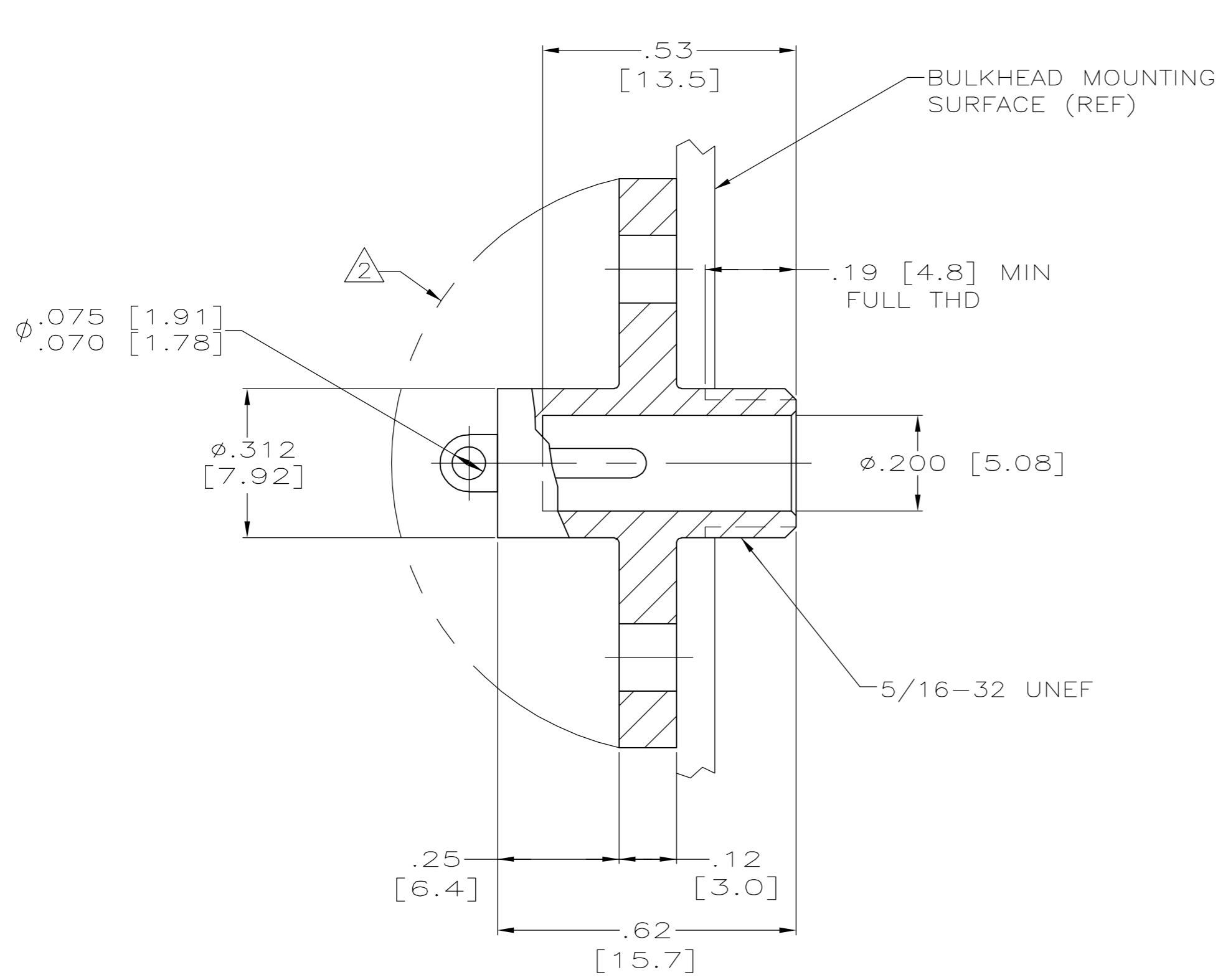
Address: A1208, Overseas Decoration Building, #122 Zhenhua RD., Futian, Shenzhen, China



THIS DRAWING IS UNPUBLISHED. RELEASED FOR PUBLICATION - N/A .
 © COPYRIGHT N/A BY TYCO ELECTRONICS CORPORATION. ALL RIGHTS RESERVED.

LOC		DIST		REVISIONS			
P	LTR	DESCRIPTION		DATE	DWN	APVD	
J		REV PER 0H14-0191-05		05-05	AA	DE	

- RECEPTACLE TO MATE WITH AMP LGH-1/2 LEAD ASSY, AVAILABLE SEPARATELY.
- ⚠ IF BULKHEAD AND MOUNTING HARDWARE ARE METALLIC AND AT GROUND POTENTIAL, PROVISIONS MUST BE MADE TO PROTECT THE RECEPTACLE'S BACK-END AGAINST ARC-OVER AND BREAKDOWN.



TIN	5-830395-1
GOLD	830395-2
TIN-LEAD	830395-1
TERMINAL PLATING	PART NUMBER

THIS DRAWING IS A CONTROLLED DOCUMENT.		DWN	29-AUG-91	C.C.THOMAS	
DIMENSIONS: INCHES		CHK	10-SEP-91	S.GLATFELTER	
TOLERANCES UNLESS OTHERWISE SPECIFIED:		APVD	10-SEP-91	S.GLATFELTER	
0 PLC	± -	PRODUCT SPEC			
1 PLC	± -	APPLICATION SPEC			
2 PLC	± .02[0.5]	-			
3 PLC	± .010[0.25]	-			
4 PLC	± -	-			
ANGLES	± -	-			
FINISH	-	-			
MATERIAL: EPOXY MLDG CMPD, COLOR: BLACK		WEIGHT	5 GRAMS MAX	SIZE	A2
		CUSTOMER DRAWING	SCALE	4:1	SHEET 1 OF 1
		CAGE CODE		00779	DRAWING NO
		CAGE CODE		C=830395	RESTRICTED TO
		DRAWING NO			
		RESTRICTED TO			