



Chipsmall Limited consists of a professional team with an average of over 10 year of expertise in the distribution of electronic components. Based in Hongkong, we have already established firm and mutual-benefit business relationships with customers from,Europe,America and south Asia,supplying obsolete and hard-to-find components to meet their specific needs.

With the principle of “Quality Parts,Customers Priority,Honest Operation,and Considerate Service”,our business mainly focus on the distribution of electronic components. Line cards we deal with include Microchip,ALPS,ROHM,Xilinx,Pulse,ON,Everlight and Freescale. Main products comprise IC,Modules,Potentiometer,IC Socket,Relay,Connector.Our parts cover such applications as commercial,industrial, and automotives areas.

We are looking forward to setting up business relationship with you and hope to provide you with the best service and solution. Let us make a better world for our industry!



## Contact us

Tel: +86-755-8981 8866 Fax: +86-755-8427 6832

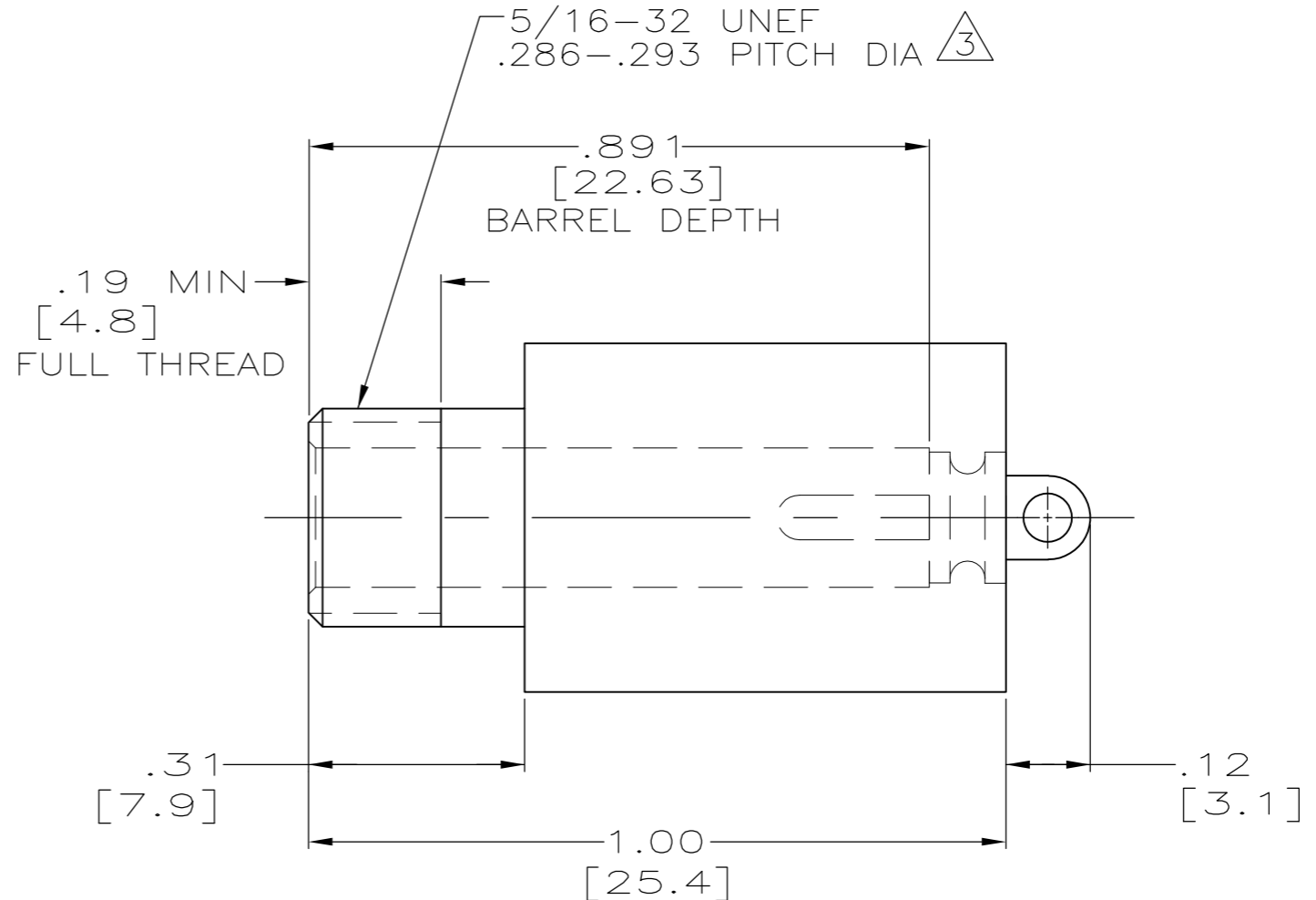
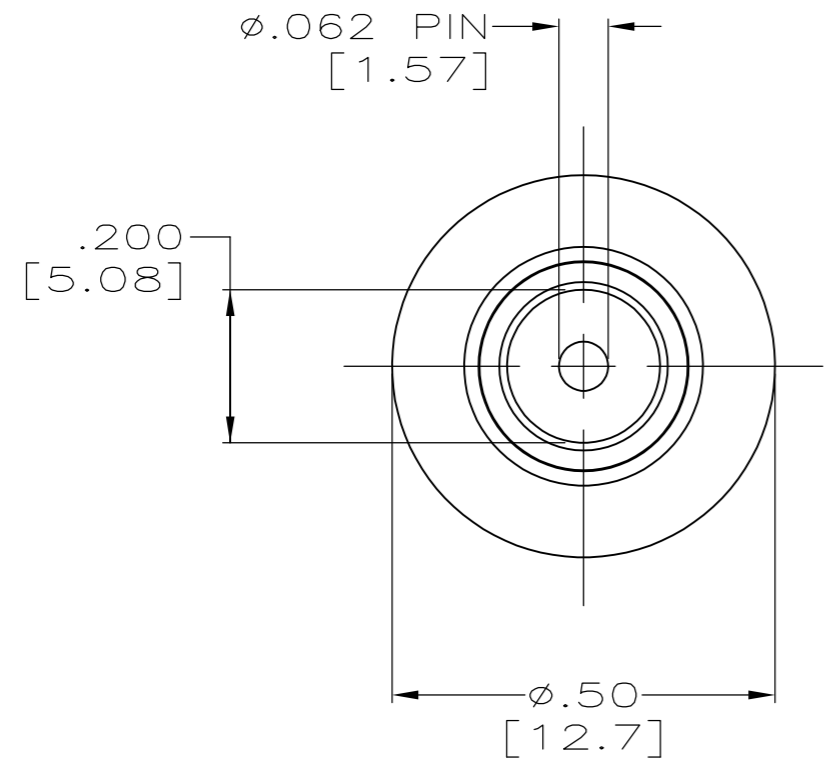
Email & Skype: info@chipsmall.com Web: www.chipsmall.com

Address: A1208, Overseas Decoration Building, #122 Zhenhua RD., Futian, Shenzhen, China



THIS DRAWING IS UNPUBLISHED. RELEASED FOR PUBLICATION - ,N/A .  
 © COPYRIGHT N/A BY TYCO ELECTRONICS CORPORATION. ALL RIGHTS RESERVED.

LOC	DIST	REVISIONS					
DF	S0	P	LTR	DESCRIPTION	DATE	DWN	APVD
		M		REV PER ECO-08-011735	05JUN08	PY	DE



	TIN 150μ MIN	BLACK	5-858855-1
	GOLD 50μ MIN	BLACK	858855-9
OBSOLETE	GOLD 30μ MIN	GREEN	858855-4
OBSOLETE	TIN-LEAD 150μ MIN	GREEN	858855-3
	GOLD 30μ MIN	BLACK	858855-2
	TIN-LEAD 150μ MIN	BLACK	858855-1
	PIN FINISH	MOLD CMPD. COLOR	PART NO.

- MARKED PER MIL-STD-130.
  - RECEPTACLE TO MATE WITH AMP LGH-1/2L LEAD ASSY.
- $\Delta$  PER FEDERAL STD H-28, 3 WIRE METHOD. DIMENSION OVER WIRES TO BE .307-.318 [7.80-8.08].

THIS DRAWING IS A CONTROLLED DOCUMENT.		DWN C.C.THOMAS 15-JUL-93	Tyco Electronics Corporation Harrisburg, Pa 17105-3608													
DIMENSIONS: INCHES		CHK D.EABY 21-JUL-93														
TOLERANCES UNLESS OTHERWISE SPECIFIED:		APVD D.EABY 21-JUL-93	NAME													
<table border="1"> <tr><td>0 PLC</td><td>± -</td></tr> <tr><td>1 PLC</td><td>± -</td></tr> <tr><td>2 PLC</td><td>± .02[0.5]</td></tr> <tr><td>3 PLC</td><td>± .005[0.13]</td></tr> <tr><td>4 PLC</td><td>± -</td></tr> <tr><td>ANGLES</td><td>± -</td></tr> </table>		0 PLC	± -	1 PLC	± -	2 PLC	± .02[0.5]	3 PLC	± .005[0.13]	4 PLC	± -	ANGLES	± -	PRODUCT SPEC -	RECEPTACLE FOR ENCAPSULATED UNIT LGH-1/2L	
0 PLC	± -															
1 PLC	± -															
2 PLC	± .02[0.5]															
3 PLC	± .005[0.13]															
4 PLC	± -															
ANGLES	± -															
MATERIAL COLOR: BLACK		FINISH -	APPLICATION SPEC -	RESTRICTED TO -												
		WEIGHT -	SIZE A3	CAGE CODE 00779												
		CUSTOMER DRAWING	DRAWING NO C-858855	SCALE 4:1												
			SHEET 1 OF 1	REV M												