



Chipsmall Limited consists of a professional team with an average of over 10 year of expertise in the distribution of electronic components. Based in Hongkong, we have already established firm and mutual-benefit business relationships with customers from,Europe,America and south Asia,supplying obsolete and hard-to-find components to meet their specific needs.

With the principle of "Quality Parts,Customers Priority,Honest Operation,and Considerate Service",our business mainly focus on the distribution of electronic components. Line cards we deal with include Microchip,ALPS,ROHM,Xilinx,Pulse,ON,Everlight and Freescale. Main products comprise IC,Modules,Potentiometer,IC Socket,Relay,Connector.Our parts cover such applications as commercial,industrial, and automotives areas.

We are looking forward to setting up business relationship with you and hope to provide you with the best service and solution. Let us make a better world for our industry!



Contact us

Tel: +86-755-8981 8866 Fax: +86-755-8427 6832

Email & Skype: info@chipsmall.com Web: www.chipsmall.com

Address: A1208, Overseas Decoration Building, #122 Zhenhua RD., Futian, Shenzhen, China



THIS DRAWING IS UNPUBLISHED.

RELEASED FOR PUBLICATION

- ,N/A .

LOC

DIST

REVISIONS

© COPYRIGHT N/A BY TYCO ELECTRONICS CORPORATION. ALL RIGHTS RESERVED.

DF

S0

P

LTR

DESCRIPTION

DATE

DWN

APVD

C

REV PER 0H14-0191-05

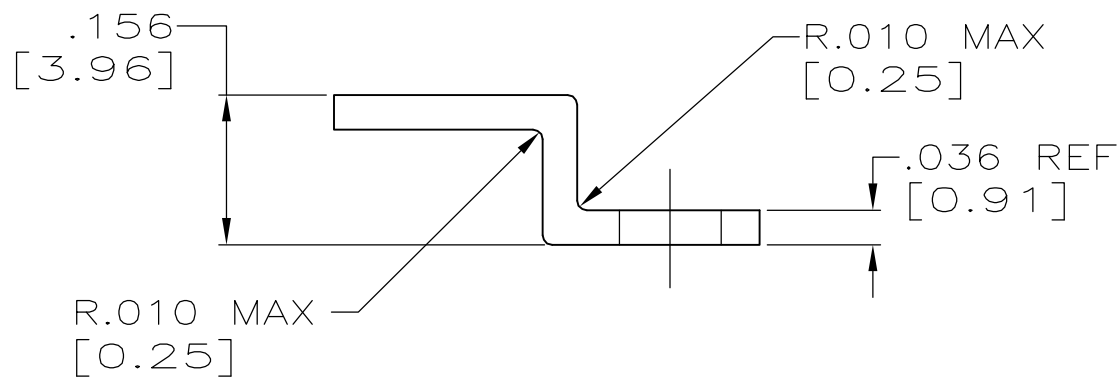
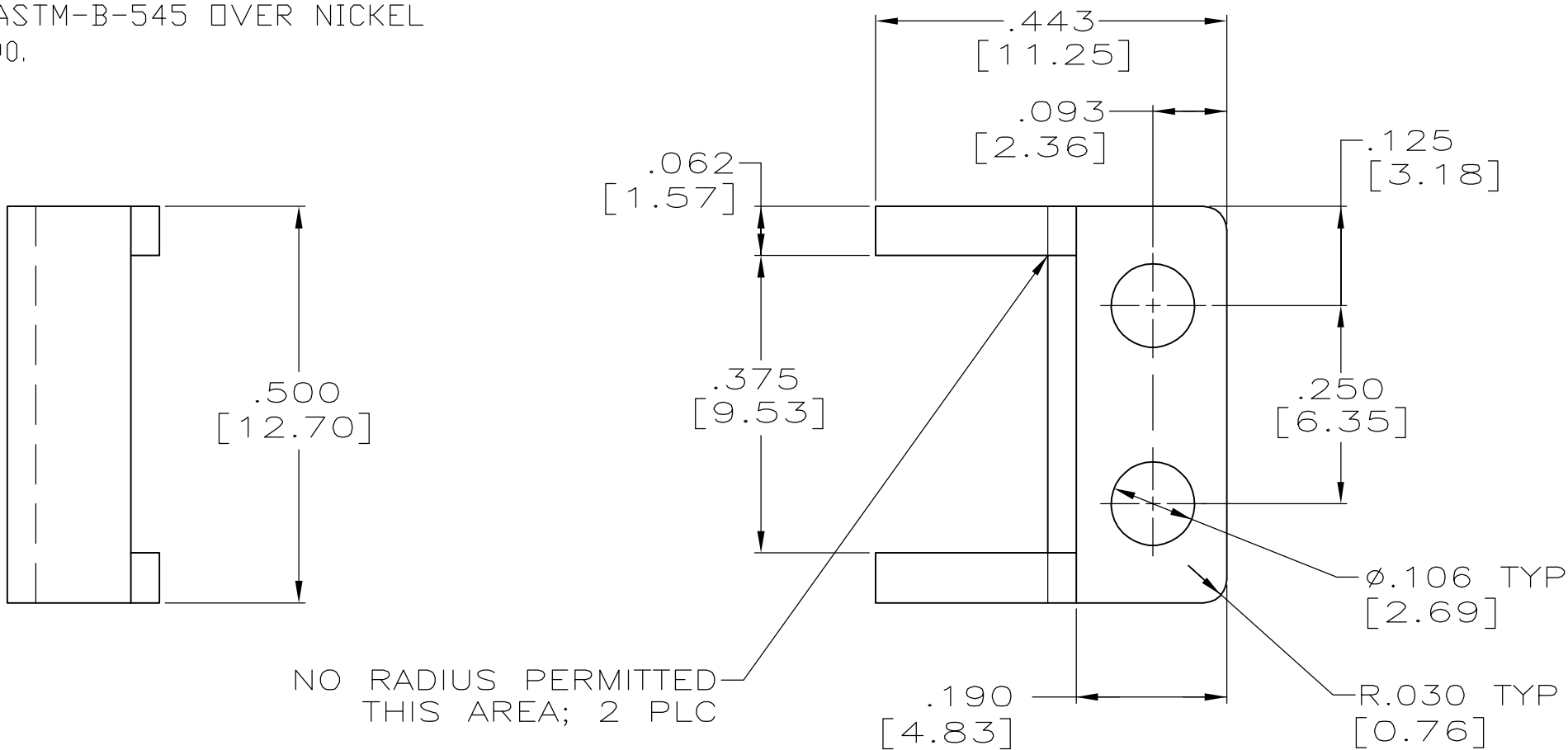
05-05

AA

DE

1 FINISH: 93/7 TIN LEAD OR TIN PER ASTM-B-545 OVER NICKEL PER AMS-QQ-N-290.

2 FINISH: TIN PER ASTM-B-545 OVER NICKEL PER AMS-QQ-N-290.



2	5-861214-2
1	861214-2
FINISH	PART NO.

THIS DRAWING IS A CONTROLLED DOCUMENT.		DWN C.C.THOMAS 28-APR-95	Tyco Electronics Corporation Harrisburg, Pa 17105-3608				
DIMENSIONS: INCHES		CHK D.WEYANDT 01-MAY-95					
TOLERANCES UNLESS OTHERWISE SPECIFIED:		APVD D.WEYANDT 01-MAY-95	NAME MOUNTING BRACKET LGH				
0 PLC ± - 1 PLC ± - 2 PLC ± - 3 PLC ± .010[0.25] 4 PLC ± - ANGLES ± -		PRODUCT SPEC -	APPLICATION SPEC -				
MATERIAL CARBON STEEL 20GA PER QQ-S-698		FINISH SEE TABLE	WEIGHT -	SIZE A3	CAGE CODE 00779	DRAWING NO C-861214	RESTRICTED TO -
CUSTOMER DRAWING			SCALE 5:1	SHEET 1 OF 1	REV C		