



Chipsmall Limited consists of a professional team with an average of over 10 year of expertise in the distribution of electronic components. Based in Hongkong, we have already established firm and mutual-benefit business relationships with customers from,Europe,America and south Asia,supplying obsolete and hard-to-find components to meet their specific needs.

With the principle of “Quality Parts,Customers Priority,Honest Operation,and Considerate Service”,our business mainly focus on the distribution of electronic components. Line cards we deal with include Microchip,ALPS,ROHM,Xilinx,Pulse,ON,Everlight and Freescale. Main products comprise IC,Modules,Potentiometer,IC Socket,Relay,Connector.Our parts cover such applications as commercial,industrial, and automotives areas.

We are looking forward to setting up business relationship with you and hope to provide you with the best service and solution. Let us make a better world for our industry!



## Contact us

Tel: +86-755-8981 8866 Fax: +86-755-8427 6832

Email & Skype: info@chipsmall.com Web: www.chipsmall.com

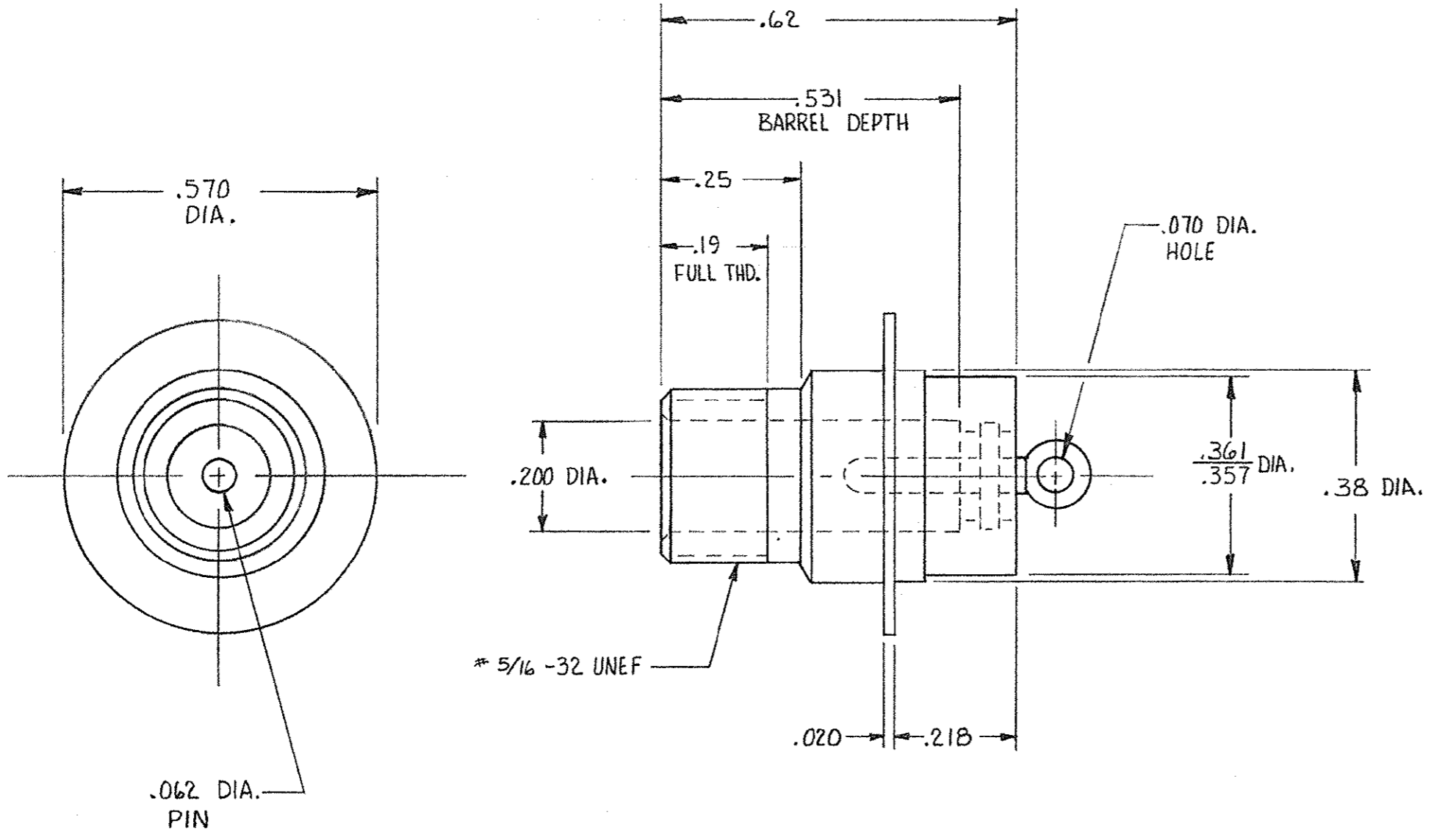
Address: A1208, Overseas Decoration Building, #122 Zhenhua RD., Futian, Shenzhen, China



© COPYRIGHT 1976 BY AMP INCORPORATED, HARRISBURG, PA. ALL INTERNATIONAL RIGHTS RESERVED. AMP INCORPORATED PRODUCTS COVERED BY U. S. AND FOREIGN PATENTS AND/OR PATENTS PENDING.

REVISIONS						
P	F	ZONE	LTR	DESCRIPTION	DATE	APPROVED
F	✓		F	REVISED & REDRAWN	DS 11-16-76	<i>M.D.</i>
			G	REVISED PER OH14-0192-05	1-06	PY

UNPUBLISHED COPY NOT TO BE REPRODUCED NOR PUBLISHED WITHOUT WRITTEN PERMISSION OF AMP INCORPORATED.



NOTE:  
 1. THIS RECEPTACLE IS HERMETICALLY SEALED.  
 2. SCREW THREAD MEASUREMENT IN ACCORDANCE WITH H2B HANDBOOK. (3 WIRE METHOD). USING WIRE .01804 DIA.- MEASUREMENT OVER WIRE SHALL BE .318 / .307.

5-861252-1	AS SHOWN WITH TIN PLATED PIN & FLANGE
861252-1	AS SHOWN WITH TIN-LEAD PLATED PIN & FLANGE

				CONTRACT NO		AMP INCORPORATED Elizabethtown, Pa.	
				DR DIGK STONE 11-16-76		NAME	
				CHK		FLANGED RECEPTACLE	
				APPD <i>M. Anderson</i> 11/10/76		LGH - 1/2	
				APPD		W J H	
				DSGN APPD		SIZE CODE IDENT NO DRAWING NO	
				OTHER APPD		C 00779 861252	
				FINISH		SCALE	
				BLACK		SHEET 1 OF 1	
NEXT ASSY	FINAL ASSY	NEXT ASSY	USED ON				
QTY REQD	APPLICATION						