



Chipsmall Limited consists of a professional team with an average of over 10 year of expertise in the distribution of electronic components. Based in Hongkong, we have already established firm and mutual-benefit business relationships with customers from,Europe,America and south Asia,supplying obsolete and hard-to-find components to meet their specific needs.

With the principle of "Quality Parts,Customers Priority,Honest Operation,and Considerate Service",our business mainly focus on the distribution of electronic components. Line cards we deal with include Microchip,ALPS,ROHM,Xilinx,Pulse,ON,Everlight and Freescale. Main products comprise IC,Modules,Potentiometer,IC Socket,Relay,Connector.Our parts cover such applications as commercial,industrial, and automotives areas.

We are looking forward to setting up business relationship with you and hope to provide you with the best service and solution. Let us make a better world for our industry!



Contact us

Tel: +86-755-8981 8866 Fax: +86-755-8427 6832

Email & Skype: info@chipsmall.com Web: www.chipsmall.com

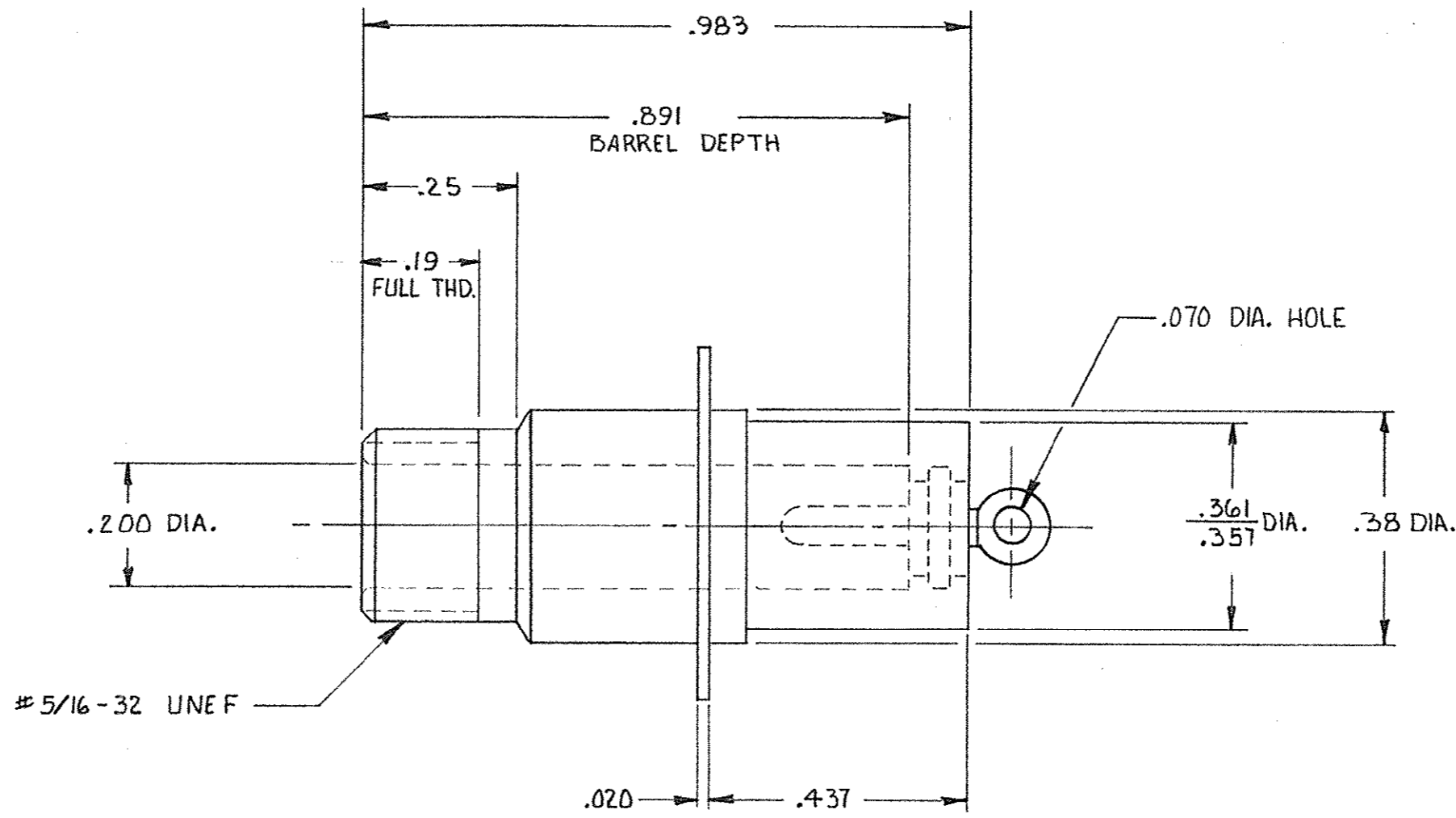
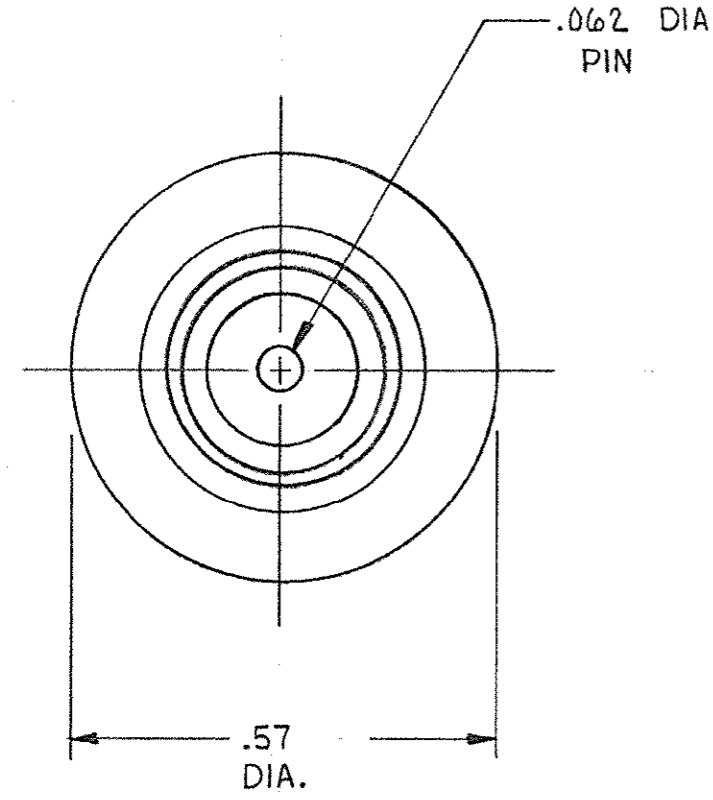
Address: A1208, Overseas Decoration Building, #122 Zhenhua RD., Futian, Shenzhen, China



© COPYRIGHT 1976 BY AMP INCORPORATED, HARRISBURG, PA. ALL INTERNATIONAL RIGHTS RESERVED. AMP INCORPORATED PRODUCTS COVERED BY U. S. AND FOREIGN PATENTS AND/OR PATENTS PENDING.

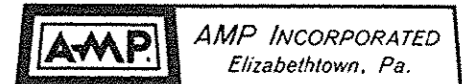
UNPUBLISHED COPY NOT TO BE REPRODUCED NOR PUBLISHED WITHOUT WRITTEN PERMISSION OF AMP INCORPORATED.

| REVISIONS | | | | | | |
|-----------|---|------|-----|--------------------------|----------|------------|
| P | F | ZONE | LTR | DESCRIPTION | DATE | APPROVED |
| | | | G | REVISED & REDRAWN DS | 11-17-76 | <i>m/k</i> |
| | | | H | REVISED PER OH14-0192-05 | 1-06 | PY |



NOTE:
 1. THIS UNIT IS HERMETICALLY SEALED.
 2. SCREW THREAD MEASUREMENT IN ACCORDANCE WITH H-28 HANDBOOK. (3 WIRE METHOD). USING WIRE .01804 DIA. MEASUREMENT OVER WIRE SHALL BE .318 / .307.

5-861253-1 AS SHOWN WITH TIN PLATED PIN & FLANGE
 861253-1 AS SHOWN WITH TIN-LEAD PLATED PIN & FLANGE

| | | | | | | | | | |
|-----------|-------------|-----------|---------|--|--|-----------------------------------|--|---|--|
| | | | | UNLESS OTHERWISE SPECIFIED DIMENSIONS ARE IN INCHES. TOLERANCES: .00 ± .01 .000 ± .005 ANGLES ± | | CONTRACT NO | |  AMP INCORPORATED Elizabethtown, Pa. | |
| | | | | MATERIAL MOLDED GLASS EPOXY | | DR DICK STONE 11-17-76 | | | |
| | | | | FINISH BLACK | | CHK | | FLANGED RECEPTACLE | |
| | | | | | | APPD <i>M. Gordon</i> 11/17/76 | | LGH 1/2 L | |
| | | | | | | APPD | | WJH | |
| | | | | | | DSGN APPD | | SIZE CODE IDENT NO DRAWING NO | |
| | | | | | | OTHER APPD | | C 00779 861253 | |
| | | | | | | | | SCALE ~ SHEET 1 OF 1 | |
| NEXT ASSY | FINAL ASSY | NEXT ASSY | USED ON | | | | | | |
| QTY REQD | APPLICATION | | | | | | | | |