



Chipsmall Limited consists of a professional team with an average of over 10 year of expertise in the distribution of electronic components. Based in Hongkong, we have already established firm and mutual-benefit business relationships with customers from,Europe,America and south Asia,supplying obsolete and hard-to-find components to meet their specific needs.

With the principle of “Quality Parts,Customers Priority,Honest Operation,and Considerate Service”,our business mainly focus on the distribution of electronic components. Line cards we deal with include Microchip,ALPS,ROHM,Xilinx,Pulse,ON,Everlight and Freescale. Main products comprise IC,Modules,Potentiometer,IC Socket,Relay,Connector.Our parts cover such applications as commercial,industrial, and automotives areas.

We are looking forward to setting up business relationship with you and hope to provide you with the best service and solution. Let us make a better world for our industry!



## Contact us

Tel: +86-755-8981 8866 Fax: +86-755-8427 6832

Email & Skype: info@chipsmall.com Web: www.chipsmall.com

Address: A1208, Overseas Decoration Building, #122 Zhenhua RD., Futian, Shenzhen, China

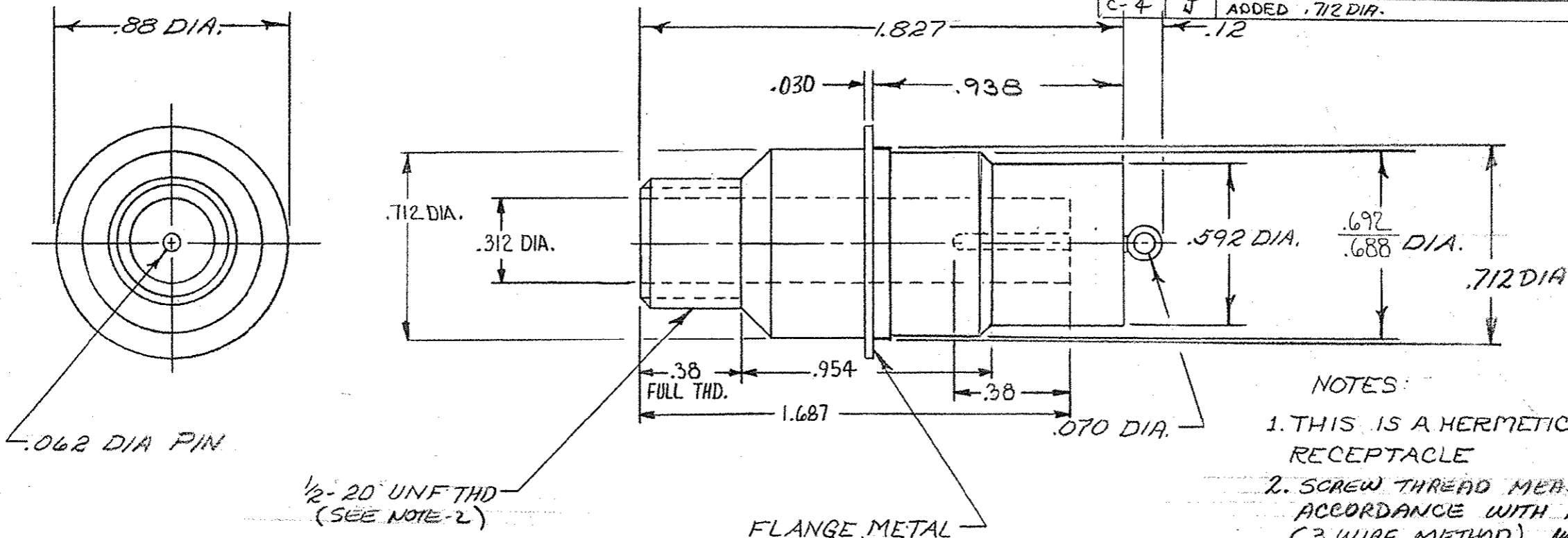


© 1973 BY AMP INCORPORATED. ALL RIGHTS RESERVED. AMP PRODUCTS COVERED BY PATENTS AND/OR PATENTS PENDING.

Unpublished copy not to be reproduced without written permission of AMP Incorporated

K	ADDED .712 DIM. FLANGE	10/9/78	M.G.
L	REV PER OH14-0192-05	1-06	PY

REVISIONS				
ZONE	LTR	DESCRIPTION	DATE	APPROVED
	A	REV. 1 REDRAWN	4-2-73	RE Fm
	B	DELETED .872 & ADDED .938	4-4-73	RE Fm
	C	ADDED TIN & GOLD PLATED FLANGES TO -1 & -2	7-13-73	RE Fm
B-2	D	ADDED NOTE -2	1/23/74	M.G.
	E	REV. -2	2/6/74	RE Fm
	F	ADDED .312 DIA., .38, .020, .954, 1.687, ECN 8041, D.S.	5-19-75	M.G.
	G	REMOVED -2	10-14-76	M.G.
	H	.692/.688 WAPS .712	7/18/78	M.G.
C-4	J	ADDED .712 DIA.	9/27/78	M.G.



NOTES:  
 1. THIS IS A HERMETICALLY SEALED RECEPTACLE  
 2. SCREW THREAD MEASUREMENT IN ACCORDANCE WITH H28 HANDBOOK. (3 WIRE METHOD). USING WIRE .02887 DIA. - MEASUREMENT OVER WIRE SHALL BE .510/.497

QTY REQD	QTY REQD	ITEM NO.	DWG SIZE	PART OR IDENTIFYING NO.	NOMENCLATURE OR DESCRIPTION	SYMBOL
-2	-1			5-861255-1	TIN PLATED PIN AND FLANGE	WITH MARKING
				861255-1	TIN-LEAD PLATED PIN AND FLANGE	WITH MARKING

UNLESS OTHERWISE SPECIFIED: DIMENSIONS ARE IN INCHES TOLERANCES .00 ± .01 ANGLES ± 1° .000 ± .005				CONTRACT NO. DR 2/27/73		AMP INCORPORATED CAPITRON DIVISION ELIZABETHTOWN, PENNSYLVANIA	
MATERIAL: MOLDED GLASS EPOXY				CHK		NAME FLANGED RECEPTACLE ASSEMBLY LGN-1L	
FINISH: BLACK				APPD RE Fm 3-27-73		SIZE B	
NEXT ASSY				DSGN APPD		CODE IDENT NO. 00779	
FINAL ASSY				OTHER APPD		NUMBER 861255	
NEXT ASSY				USED ON		SCALE	
QTY REQD				APPLICATION		WT	
						SHEET	

PRINT DIST 37

A - UPDATED