



Chipsmall Limited consists of a professional team with an average of over 10 year of expertise in the distribution of electronic components. Based in Hongkong, we have already established firm and mutual-benefit business relationships with customers from,Europe,America and south Asia,supplying obsolete and hard-to-find components to meet their specific needs.

With the principle of “Quality Parts,Customers Priority,Honest Operation,and Considerate Service”,our business mainly focus on the distribution of electronic components. Line cards we deal with include Microchip,ALPS,ROHM,Xilinx,Pulse,ON,Everlight and Freescale. Main products comprise IC,Modules,Potentiometer,IC Socket,Relay,Connector.Our parts cover such applications as commercial,industrial, and automotives areas.

We are looking forward to setting up business relationship with you and hope to provide you with the best service and solution. Let us make a better world for our industry!



Contact us

Tel: +86-755-8981 8866 Fax: +86-755-8427 6832

Email & Skype: info@chipsmall.com Web: www.chipsmall.com

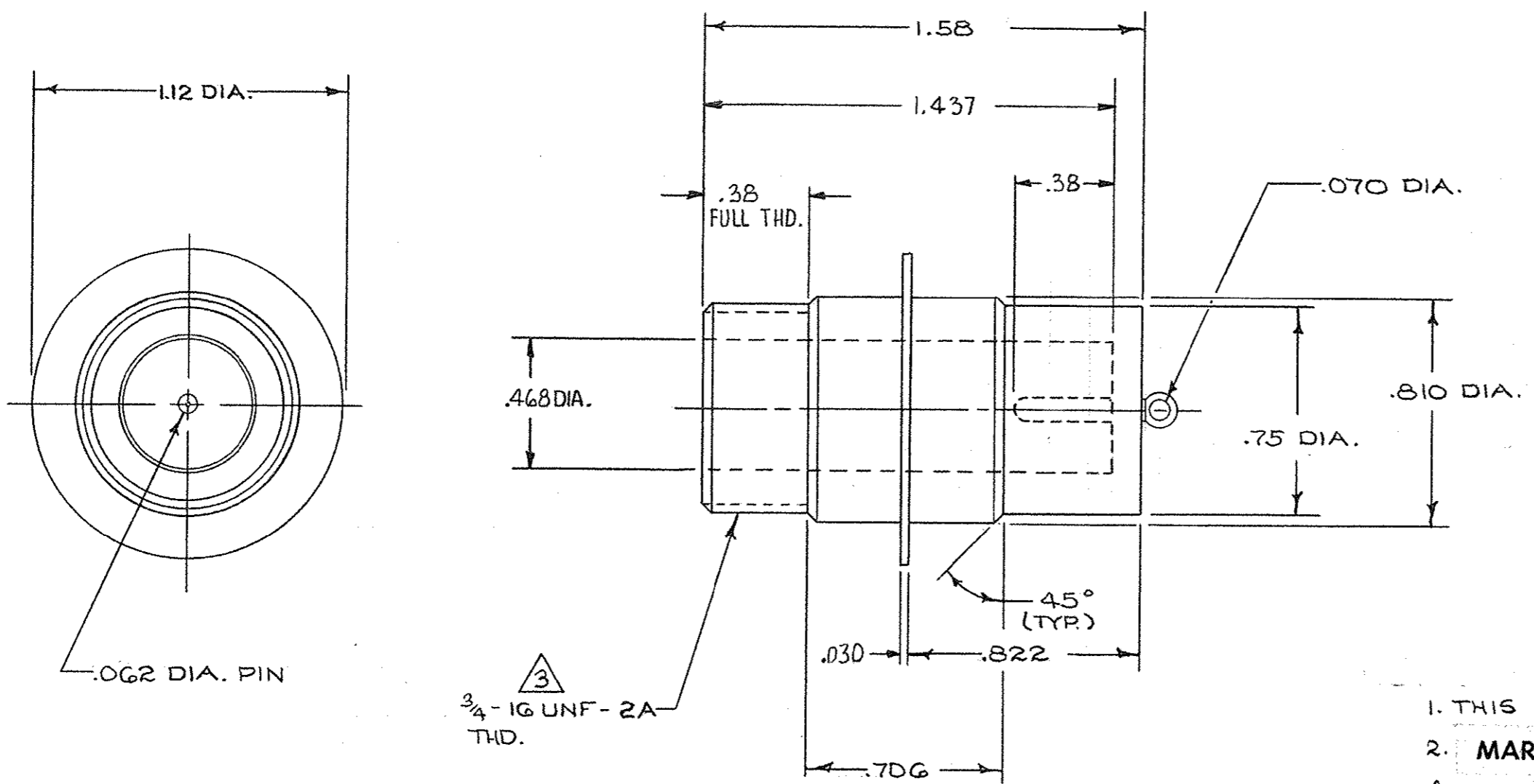
Address: A1208, Overseas Decoration Building, #122 Zhenhua RD., Futian, Shenzhen, China



© COPYRIGHT 1973 BY AMP INCORPORATED, HARRISBURG, PA. ALL INTERNATIONAL RIGHTS RESERVED. AMP INCORPORATED PRODUCTS COVERED BY U. S. AND FOREIGN PATENTS AND/OR PATENTS PENDING.

Unpublished copy not to be distributed without written permission

REVISIONS						
P	F	ZONE	LTR	DESCRIPTION	DATE	APPROVED
		A-1	A	-2 WAS GOLD PLATED FLANGE	3/7/75	M.P.
			B	ADDED .468 DIA., .38, .020, 1.437, ECN 8041, D.S.	5-19-75	M.P.
	✓		C	REMOVED -2 GOLD PIN-TIN FLANGE DS	5-19-78	M.P.
	✓		D	REV PER ECN 5-3960	4-13-87	R.S.
	✓		E	ADDED -5 PER NPR 2021	6-4-87	R.S. M.P.
	✓		F	OBS. -5 PER ECN DFO694	9-15-88	J.W.
			G	REVISED PER OH14-0192-05	1-06	PY



3
3/4-16 UNF-2A THD.

1. THIS RECEPTACLE IS HERMETICALLY SEALED
2. MARK PER AMP SPEC. 118-36000 (WHITE INK)
- 3 PER FEDERAL STANDARD H-28 3 WIRE METHOD. DIMENSION OVER WIRES TO BE: .7474-.7654.
- 4 861256-5 IS SAME AS 861256-1 EXCEPT IT REQUIRES SPECIAL PACKAGING.

OBS	AS SHOWN WITH TIN PLATED PIN & FLANGE	5-861256-1
		861256-5
	AS SHOWN WITH TIN-LEAD PLATED PIN & FLANGE	861256-1
		PART NO

UNLESS OTHERWISE SPECIFIED DIMENSIONS ARE IN INCHES. TOLERANCES: .00 ±.02 .000 ±.010 ANGLES ±				CONTRACT NO		AMP INCORPORATED Elizabethtown, Pa.	
MATERIAL MOLDED GLASS EPOXY				DR D. Meyer 7/26/73			
FINISH BLACK				APPD R.E. Fry 7-31-73		SIZE CODE IDENT NO NUMBER C 00779 861256	
NEXT ASSY				DSGN APPD		SCALE 2:1	
FINAL ASSY				OTHER APPD		WT	
NEXT ASSY				QTY REQD		SHEET / OF	
USED ON				APPLICATION		CUSTOMER DRAWING	

UP-DATED