



Chipsmall Limited consists of a professional team with an average of over 10 year of expertise in the distribution of electronic components. Based in Hongkong, we have already established firm and mutual-benefit business relationships with customers from,Europe,America and south Asia,supplying obsolete and hard-to-find components to meet their specific needs.

With the principle of “Quality Parts,Customers Priority,Honest Operation,and Considerate Service”,our business mainly focus on the distribution of electronic components. Line cards we deal with include Microchip,ALPS,ROHM,Xilinx,Pulse,ON,Everlight and Freescale. Main products comprise IC,Modules,Potentiometer,IC Socket,Relay,Connector.Our parts cover such applications as commercial,industrial, and automotives areas.

We are looking forward to setting up business relationship with you and hope to provide you with the best service and solution. Let us make a better world for our industry!



## Contact us

Tel: +86-755-8981 8866 Fax: +86-755-8427 6832

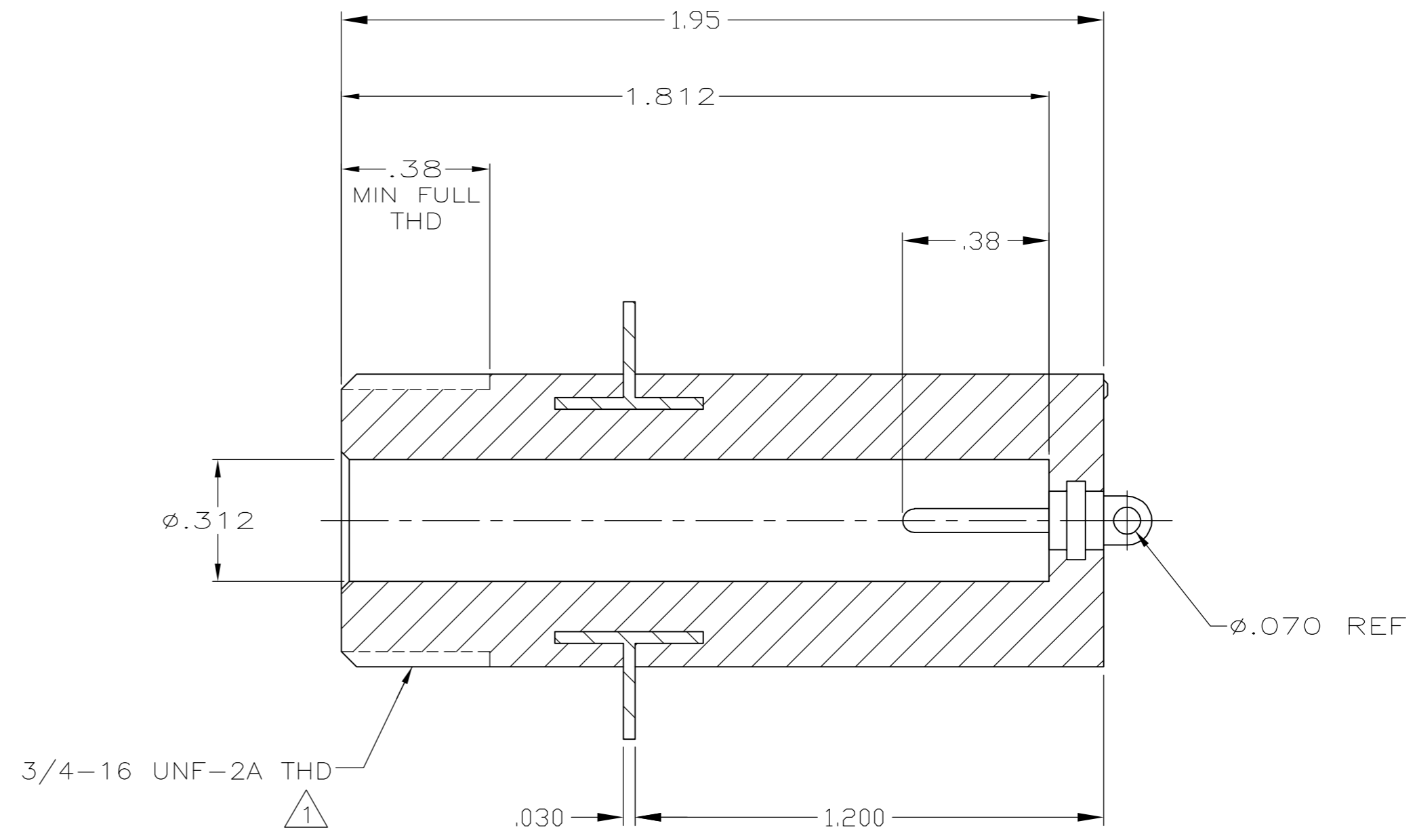
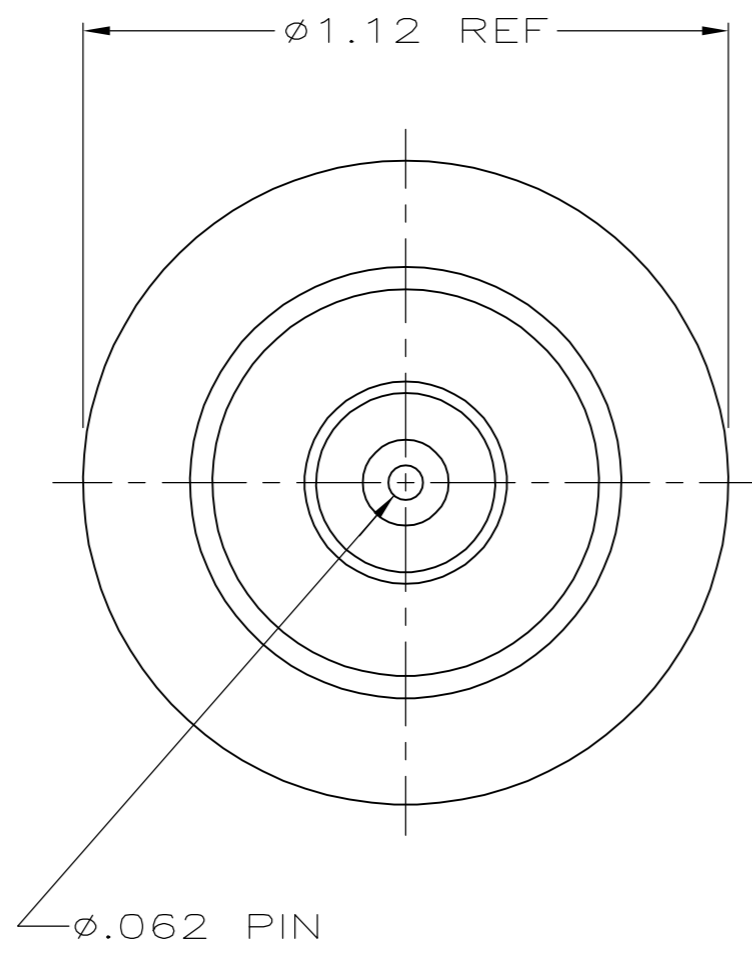
Email & Skype: info@chipsmall.com Web: www.chipsmall.com

Address: A1208, Overseas Decoration Building, #122 Zhenhua RD., Futian, Shenzhen, China



THIS DRAWING IS UNPUBLISHED. RELEASED FOR PUBLICATION  
 © COPYRIGHT BY TYCO ELECTRONICS CORPORATION. ALL RIGHTS RESERVED.

LOC	DIST	REVISIONS			
P	LTR	DESCRIPTION	DATE	DWN	APVD
DF	S0	F	REV PER ECO 06-16414	7-14-06	CT DE



- 1. SCREW THREAD MEASUREMENT IN ACCORDANCE WITH H28 HANDBOOK (3 WIRE METHOD) USING WIRE .03608 DIA MEASUREMENT OVER WIRE SHALL BE .7654/.7474
- 2. THIS RECEPTACLE IS HERMETICALLY SEALED.
- 3. MARKED PER MIL-STD-130.

TIN PLATED	5-861257-1
TIN-LEAD PLATED	861257-1
PIN & FLANGE FINISH	PART NO.

THIS DRAWING IS A CONTROLLED DOCUMENT.		DWN	7-14-06	<b>AMP</b> Tyco Electronics Corporation Harrisburg, PA 17105-3608
DIMENSIONS: INCHES		CHK	7-14-06	
TOLERANCES UNLESS OTHERWISE SPECIFIED:		APVD	7-14-06	
0 PLC ± - 1 PLC ± - 2 PLC ± .01 3 PLC ± .005 4 PLC ± - ANGLES ± 1°		PRODUCT SPEC		
MATERIAL: MOLDED GLASS EPOXY		FINISH	SEE TABLE	NAME: FLANGED RECEPTACLE, LGH-3
CUSTOMER DRAWING		WEIGHT	-	SIZE: A2
		SCALE	3:1	CAGE CODE: 00779
		SHEET	1 of 1	DRAWING NO: 861257
		REV	F	RESTRICTED TO: -