



Chipsmall Limited consists of a professional team with an average of over 10 year of expertise in the distribution of electronic components. Based in Hongkong, we have already established firm and mutual-benefit business relationships with customers from,Europe,America and south Asia,supplying obsolete and hard-to-find components to meet their specific needs.

With the principle of “Quality Parts,Customers Priority,Honest Operation,and Considerate Service”,our business mainly focus on the distribution of electronic components. Line cards we deal with include Microchip,ALPS,ROHM,Xilinx,Pulse,ON,Everlight and Freescale. Main products comprise IC,Modules,Potentiometer,IC Socket,Relay,Connector.Our parts cover such applications as commercial,industrial, and automotives areas.

We are looking forward to setting up business relationship with you and hope to provide you with the best service and solution. Let us make a better world for our industry!



Contact us

Tel: +86-755-8981 8866 Fax: +86-755-8427 6832

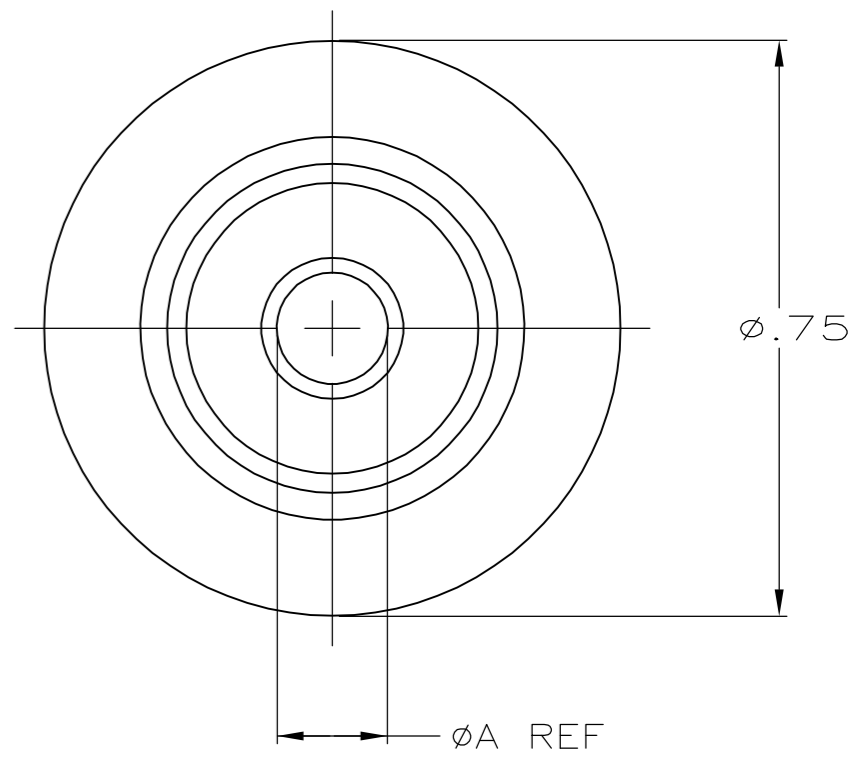
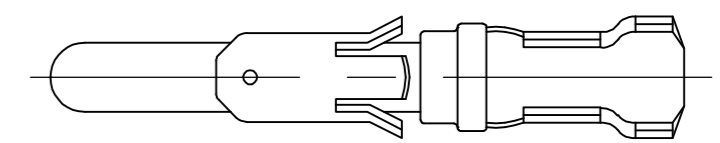
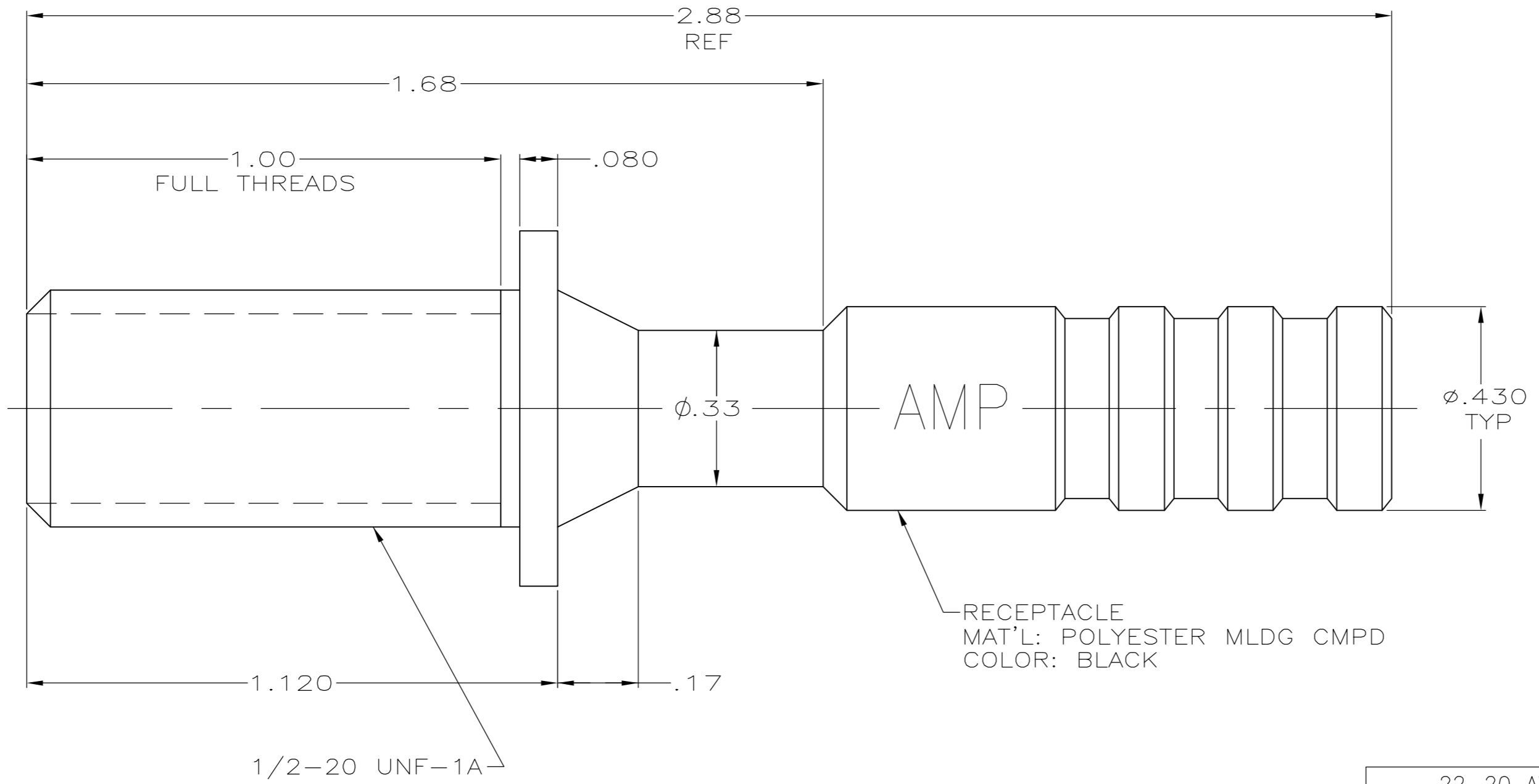
Email & Skype: info@chipsmall.com Web: www.chipsmall.com

Address: A1208, Overseas Decoration Building, #122 Zhenhua RD., Futian, Shenzhen, China



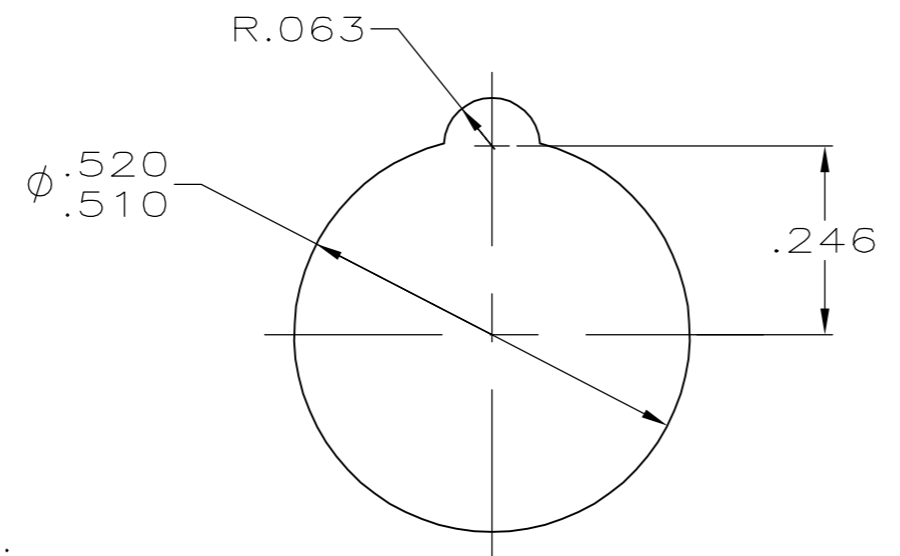
THIS DRAWING IS UNPUBLISHED. RELEASED FOR PUBLICATION - N/A .
 © COPYRIGHT N/A BY TYCO ELECTRONICS CORPORATION. ALL RIGHTS RESERVED.

LOC	DIST	REVISIONS					
DF	S0	P	LTR	DESCRIPTION	DATE	DWN	APVD
		G		REV PER 0H14-0191-05	05-05	AA	DE



NUT
 MAT'L: POLYESTER
 MLDG CMPD
 COLOR: BLACK

RECEPTACLE
 MAT'L: POLYESTER MLDG CMPD
 COLOR: BLACK



MOUNTING HOLE

1. MAX VOLTAGE:
20 KVDC
8 KVDC RMS 60 HZ
2. USE AMP CRIMP TOOL: #90067-2
3. NUT AND PIN CONTACT SUPPLIED WITH KIT UNASSEMBLED.

	22-20 AWG	.302	1-66400-0	5-862197-4
	18-16 AWG	.185	1-66099-5	5-862197-3
	18-16 AWG	.302	1-66099-5	5-862197-2
	22-20 AWG	.185	1-66400-0	5-862197-1
OBSOLETE	14 AWG	.302	66361-2	862197-8
OBSOLETE	14 AWG	.185	66361-2	862197-7
	-	.302	-	862197-6
	-	.185	-	862197-5
	22-20 AWG	.302	66400-1	862197-4
	18-16 AWG	.185	66099-2	862197-3
	18-16 AWG	.302	66099-2	862197-2
	22-20 AWG	.185	66400-1	862197-1
WIRE GAGE REF	DIM A REF	PIN CONTACT TYPE III+ L.P. QTY = 1		PART NUMBER

THIS DRAWING IS A CONTROLLED DOCUMENT.		DWN C.C.THOMAS 04-MAY-01	Tyco Electronics Corporation Harrisburg, Pa 17105-3608	
DIMENSIONS: INCHES		CHK D. EABY 04-MAY-01		
TOLERANCES UNLESS OTHERWISE SPECIFIED:		APVD D. EABY 04-MAY-01	NAME RECEPTACLE LGH	
0 PLC ± -		PRODUCT SPEC	SIZE A2	
1 PLC ± -		APPLICATION SPEC	CAGE CODE 00779	
2 PLC ± .02			DRAWING NO C=862197	
3 PLC ± .010			RESTRICTED TO	
4 PLC ± -			SCALE 4:1	
ANGLES ± -		WEIGHT -	SHEET 1 OF 1	
FINISH -		CUSTOMER DRAWING	REV G	