



Chipsmall Limited consists of a professional team with an average of over 10 year of expertise in the distribution of electronic components. Based in Hongkong, we have already established firm and mutual-benefit business relationships with customers from,Europe,America and south Asia,supplying obsolete and hard-to-find components to meet their specific needs.

With the principle of “Quality Parts,Customers Priority,Honest Operation,and Considerate Service”,our business mainly focus on the distribution of electronic components. Line cards we deal with include Microchip,ALPS,ROHM,Xilinx,Pulse,ON,Everlight and Freescale. Main products comprise IC,Modules,Potentiometer,IC Socket,Relay,Connector.Our parts cover such applications as commercial,industrial, and automotives areas.

We are looking forward to setting up business relationship with you and hope to provide you with the best service and solution. Let us make a better world for our industry!



Contact us

Tel: +86-755-8981 8866 Fax: +86-755-8427 6832

Email & Skype: info@chipsmall.com Web: www.chipsmall.com

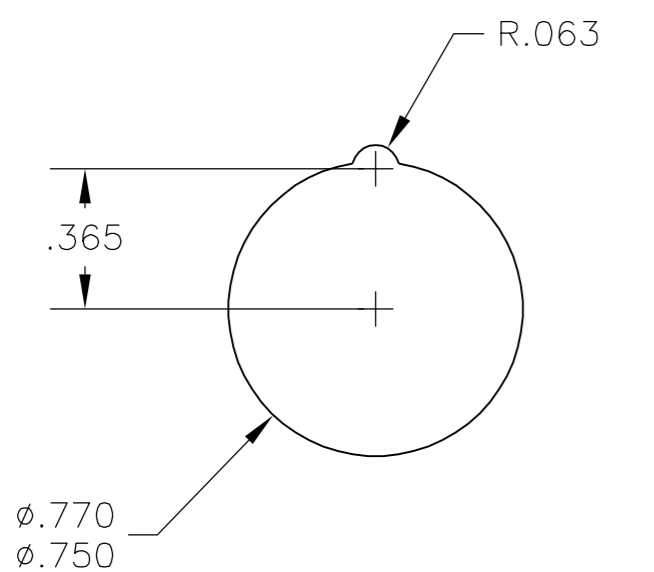
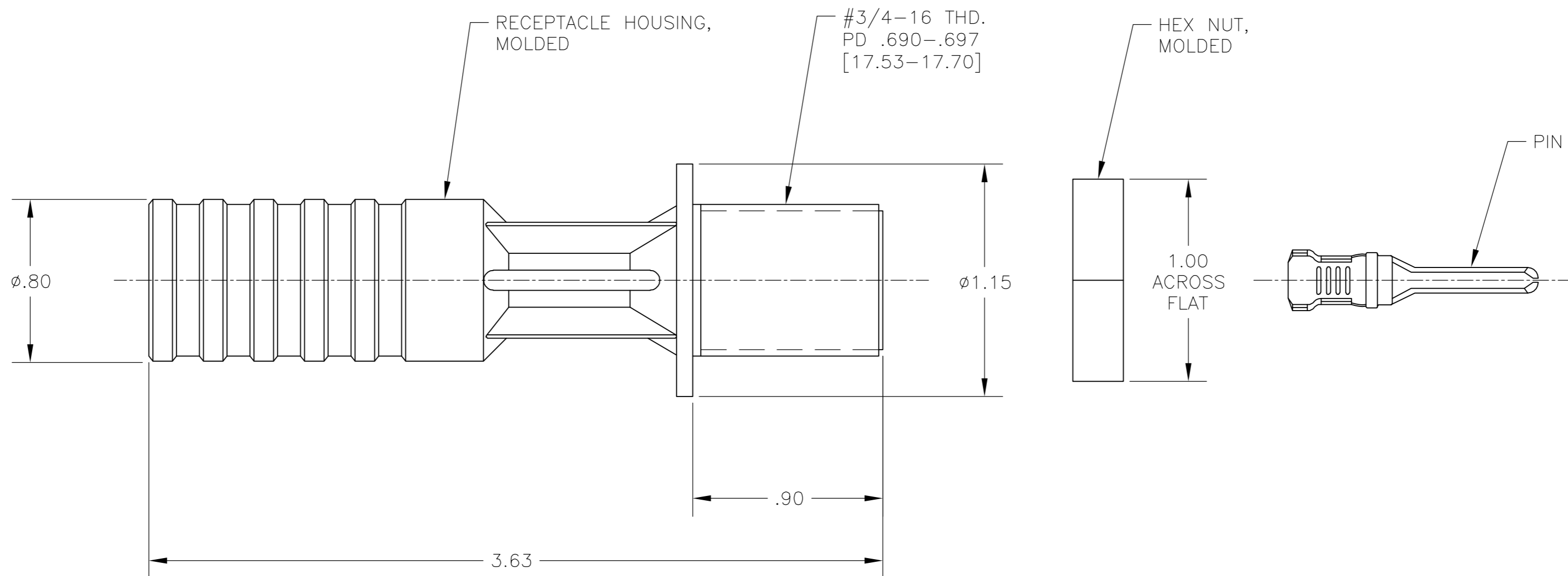
Address: A1208, Overseas Decoration Building, #122 Zhenhua RD., Futian, Shenzhen, China



THIS DRAWING IS UNPUBLISHED. RELEASED FOR PUBLICATION
 © COPYRIGHT BY TYCO ELECTRONICS CORPORATION. ALL RIGHTS RESERVED.

LOC	DIST	REVISIONS					
DF	S5	P	LTR	DESCRIPTION	DATE	DWN	APVD
		E		REV PER OH14-0191-05	05-05	AA	DE

1. EXTRACTION TOOL #863558-1.
2. NUT AND PIN CONTACT SUPPLIED WITH KIT UNASSEMBLED.



RECOMMENDED PANEL CUTOUT

90145-2	66261-5	16	5-863350-3
90145-1	66261-5	12-14	5-863350-2
90140-1	66259-5	10	5-863350-1
90145-2	66261-1	16	863350-3
90145-1	66261-1	12-14	863350-2
90140-1	66259-1	10	863350-1
DIE INSERT NO.'S HAND TOOL 69710-1 OR PNEUMATIC TOOL 69365	PIN NO.	WIRE SIZE RANGE (AWG)	PART NO.
THIS DRAWING IS A CONTROLLED DOCUMENT.	DWN J. KAISER 10-20-03	Tyco Electronics Corporation Harrisburg, PA 17105-3608	
DIMENSIONS: INCHES	CHK D.EABY	NAME D.EABY	
TOLERANCES UNLESS OTHERWISE SPECIFIED:	APVD D.EABY	PRODUCT SPEC	
0 PLC ± -	APPLICATION SPEC	KIT, CSL RECEPTACLE, LGH	
1 PLC ± -		SIZE A2	CAGE CODE 00779
2 PLC ± .02		DRAWING NO. C=863350	RESTRICTED TO
3 PLC ± .005			
4 PLC ± -			
ANGLES ± -			
FINISH -	WEIGHT -	SCALE 2:1	SHEET 1 OF 1
	CUSTOMER DRAWING		REV E