



Chipsmall Limited consists of a professional team with an average of over 10 year of expertise in the distribution of electronic components. Based in Hongkong, we have already established firm and mutual-benefit business relationships with customers from,Europe,America and south Asia,supplying obsolete and hard-to-find components to meet their specific needs.

With the principle of “Quality Parts,Customers Priority,Honest Operation,and Considerate Service”,our business mainly focus on the distribution of electronic components. Line cards we deal with include Microchip,ALPS,ROHM,Xilinx,Pulse,ON,Everlight and Freescale. Main products comprise IC,Modules,Potentiometer,IC Socket,Relay,Connector.Our parts cover such applications as commercial,industrial, and automotives areas.

We are looking forward to setting up business relationship with you and hope to provide you with the best service and solution. Let us make a better world for our industry!



## Contact us

Tel: +86-755-8981 8866 Fax: +86-755-8427 6832

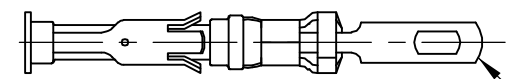
Email & Skype: info@chipsmall.com Web: www.chipsmall.com

Address: A1208, Overseas Decoration Building, #122 Zhenhua RD., Futian, Shenzhen, China



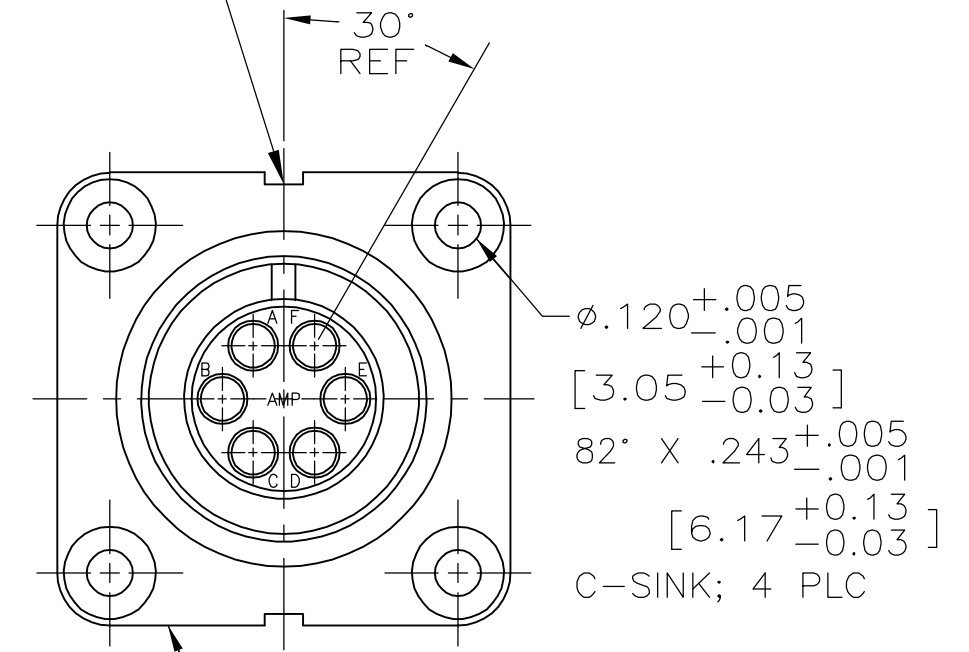
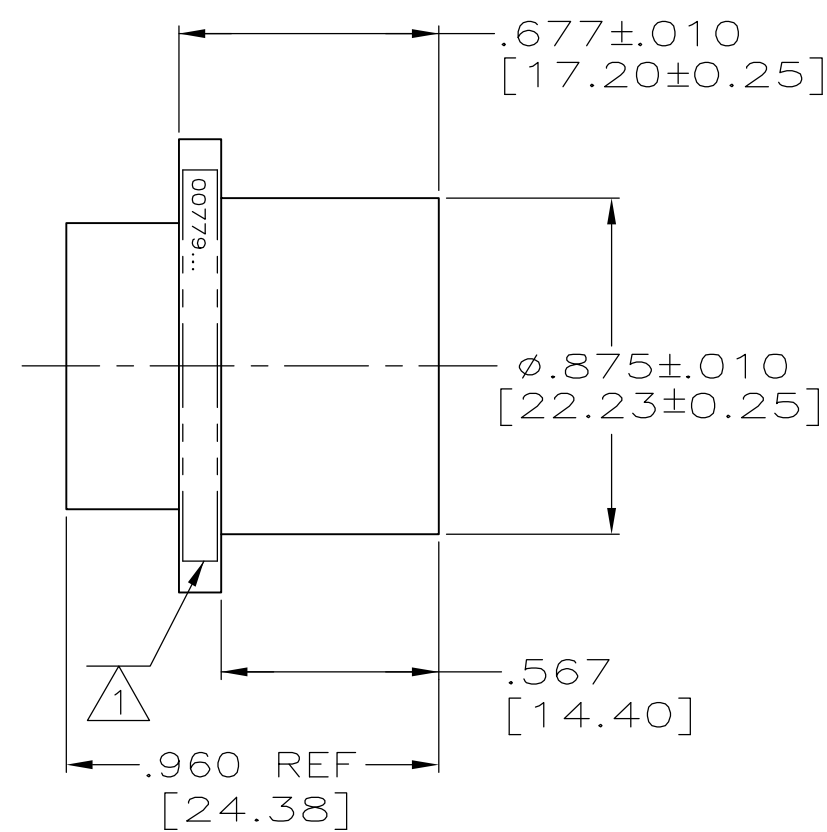
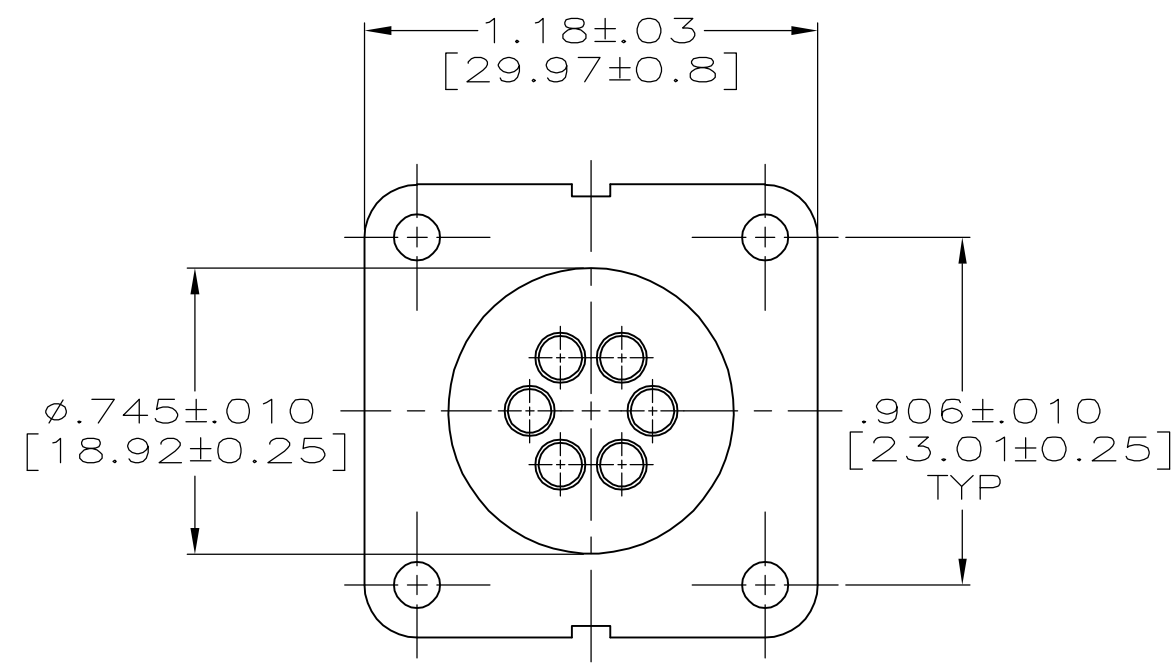
THIS DRAWING IS UNPUBLISHED. RELEASED FOR PUBLICATION - .N/A .  
 © COPYRIGHT N/A BY TYCO ELECTRONICS CORPORATION. ALL RIGHTS RESERVED.

LOC	DIST	REVISIONS			
P	LTR	DESCRIPTION	DATE	DWN	APVD
DF	SO	G	REV PER ECO 06-14737	6-22-06	CT DE



SOCKET CONTACT SIZE #16 TYPE III+  
 MAT'L: BRASS PER-ASTM-B-16  
 FINISH:  $\triangle 5 \triangle 6$

INDENTATION ALLOWED  
 AT GATE  
 2 PLC



HOUSING  
 MAT'L: POLYESTER MLDG. CMPD.  
 COLOR: BLACK

- $\triangle 1$  MARKED PER MIL-STD-130.
- 2. FRONT FACE OF CONNECTOR WILL ACCEPT A PIN CONTACT CONNECTOR WHICH MATES WITH A MS3102A-14S-6S CONNECTOR.
- 3. HOUSING IS NOT PROVIDED WITH A THREADED FRONT SKIRT.
- $\triangle 4$  SAME AS 864900-2, EXCEPT NO C'SINK IN  $\phi$ .120 MOUNTING HOLES.
- $\triangle 5$  PLATED 93/7 TIN-LEAD OR TIN PER ASTM-B-545 OVER NICKEL PER AMS-QQ-N-290.
- $\triangle 6$  PLATED TIN PER ASTM-B-545 OVER NICKEL PER AMS-QQ-N-290.

FINISH	REMARKS	PART NO.
$\triangle 6$	SUPPLIED W/CONTACTS	5-864900-1
-	$\triangle 4$	864900-4
-	SUPPLIED W/O CONTACTS	864900-2
$\triangle 5$	SUPPLIED W/CONTACTS	864900-1

THIS DRAWING IS A CONTROLLED DOCUMENT.		DWN C.C.THOMAS 05-NOV-92	Tyco Electronics Corporation Harrisburg, Pa 17105-3608	
DIMENSIONS: INCHES		CHK S.GLATFELTER 09-NOV-92		
TOLERANCES UNLESS OTHERWISE SPECIFIED:		APVD S.GLATFELTER 09-NOV-92	NAME RCPT. KIT 6 POSN, LGH MS3102A-14S-6S CONFIGURATION	
		PRODUCT SPEC -	SIZE A3	
MATERIAL SEE CALLOUTS		APPLICATION SPEC -	CAGE CODE 00779	DRAWING NO C-864900
FINISH SEE CALLOUTS		WEIGHT -	RESTRICTED TO -	SCALE 2:1
CUSTOMER DRAWING			SHEET 1 OF 1	REV G