



Chipsmall Limited consists of a professional team with an average of over 10 year of expertise in the distribution of electronic components. Based in Hongkong, we have already established firm and mutual-benefit business relationships with customers from,Europe,America and south Asia,supplying obsolete and hard-to-find components to meet their specific needs.

With the principle of “Quality Parts,Customers Priority,Honest Operation,and Considerate Service”,our business mainly focus on the distribution of electronic components. Line cards we deal with include Microchip,ALPS,ROHM,Xilinx,Pulse,ON,Everlight and Freescale. Main products comprise IC,Modules,Potentiometer,IC Socket,Relay,Connector.Our parts cover such applications as commercial,industrial, and automotives areas.

We are looking forward to setting up business relationship with you and hope to provide you with the best service and solution. Let us make a better world for our industry!



## Contact us

Tel: +86-755-8981 8866 Fax: +86-755-8427 6832

Email & Skype: info@chipsmall.com Web: www.chipsmall.com

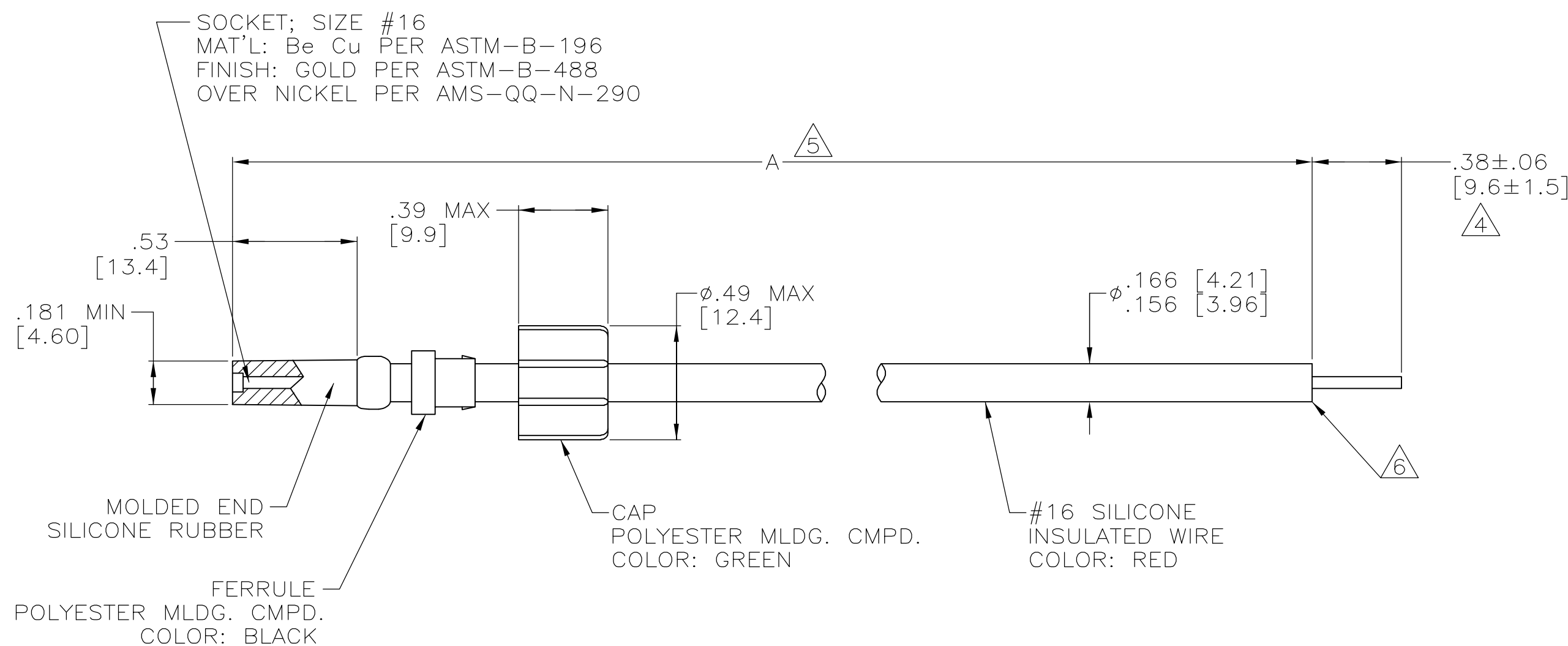
Address: A1208, Overseas Decoration Building, #122 Zhenhua RD., Futian, Shenzhen, China



THIS DRAWING IS UNPUBLISHED. RELEASED FOR PUBLICATION - .N/A .  
 © COPYRIGHT N/A BY TYCO ELECTRONICS CORPORATION. ALL RIGHTS RESERVED.

LOC	DIST	REVISIONS					
DF	S0	P	LTR	DESCRIPTION	DATE	DWN	APVD
		D		REV PER ECO-05-002584	07-05	AA	DE

1. MARKED PER MIL-STD-130; .09 HIGH CHARS.
  2. TO MATE WITH AMP LGH-1/2 RECEPTACLE WITH .53 [13.4] BARREL DEPTH.
  3. OPERATING VOLTAGE: 10 KVDC AT 0 TO 70,000 FEET, -55°C TO 125°C.
- △4 PIGTAIL IS SOLDER DIPPED. (868399-1,-2, & -3 ONLY)
- △5 TOLERANCE OF LEAD LENGTH:  
 UP TO 24 INCHES [609.6] = ±.12 [±3.0]  
 24 INCHES [609.6] & UP = ±1%
- △6 INSULATION CUT BUT NOT REMOVED. (5-868399-3 ONLY)



△6	15.00 [381.0]	5-868399-3
△4	15.00 [381.0]	868399-3
△4	36.00 [914.4]	868399-2
△4	24.00 [609.6]	868399-1
REMARKS	A DIM △5	PART NO.

THIS DRAWING IS A CONTROLLED DOCUMENT.		DWN	C.C.THOMAS	30-JUL-90	 Tyco Electronics Corporation Harrisburg, Pa 17105-3608							
DIMENSIONS: INCHES		CHK	D.OPLINGER	28-AUG-90								
TOLERANCES UNLESS OTHERWISE SPECIFIED:		APVD	D.EABY	28-AUG-90								
0 PLC ± - 1 PLC ± - 2 PLC ± .02 [0.5] 3 PLC ± - 4 PLC ± - ANGLES ± -		NAME	LEAD ASSY POS STOP, SGL END (RED) LGH-1/2									
MATERIAL SEE CALLOUTS		FINISH	SEE CALLOUTS		SIZE	A2	CAGE CODE	00779	DRAWING NO	C=868399	RESTRICTED TO	-
CUSTOMER DRAWING		WEIGHT	-		SCALE	2:1	SHEET	1	OF	1	REV	D