



Chipsmall Limited consists of a professional team with an average of over 10 year of expertise in the distribution of electronic components. Based in Hongkong, we have already established firm and mutual-benefit business relationships with customers from,Europe,America and south Asia,supplying obsolete and hard-to-find components to meet their specific needs.

With the principle of “Quality Parts,Customers Priority,Honest Operation,and Considerate Service”,our business mainly focus on the distribution of electronic components. Line cards we deal with include Microchip,ALPS,ROHM,Xilinx,Pulse,ON,Everlight and Freescale. Main products comprise IC,Modules,Potentiometer,IC Socket,Relay,Connector.Our parts cover such applications as commercial,industrial, and automotives areas.

We are looking forward to setting up business relationship with you and hope to provide you with the best service and solution. Let us make a better world for our industry!



Contact us

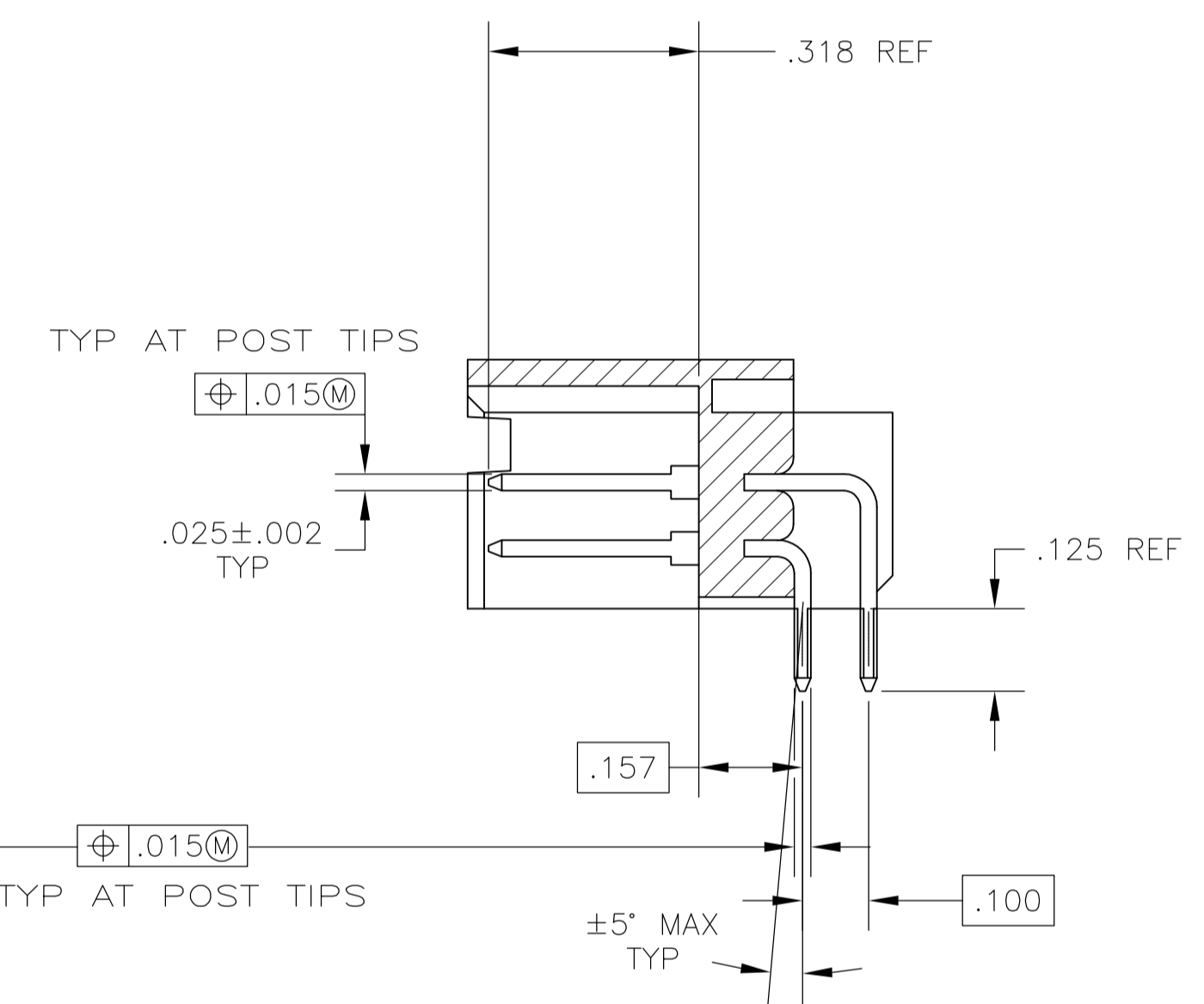
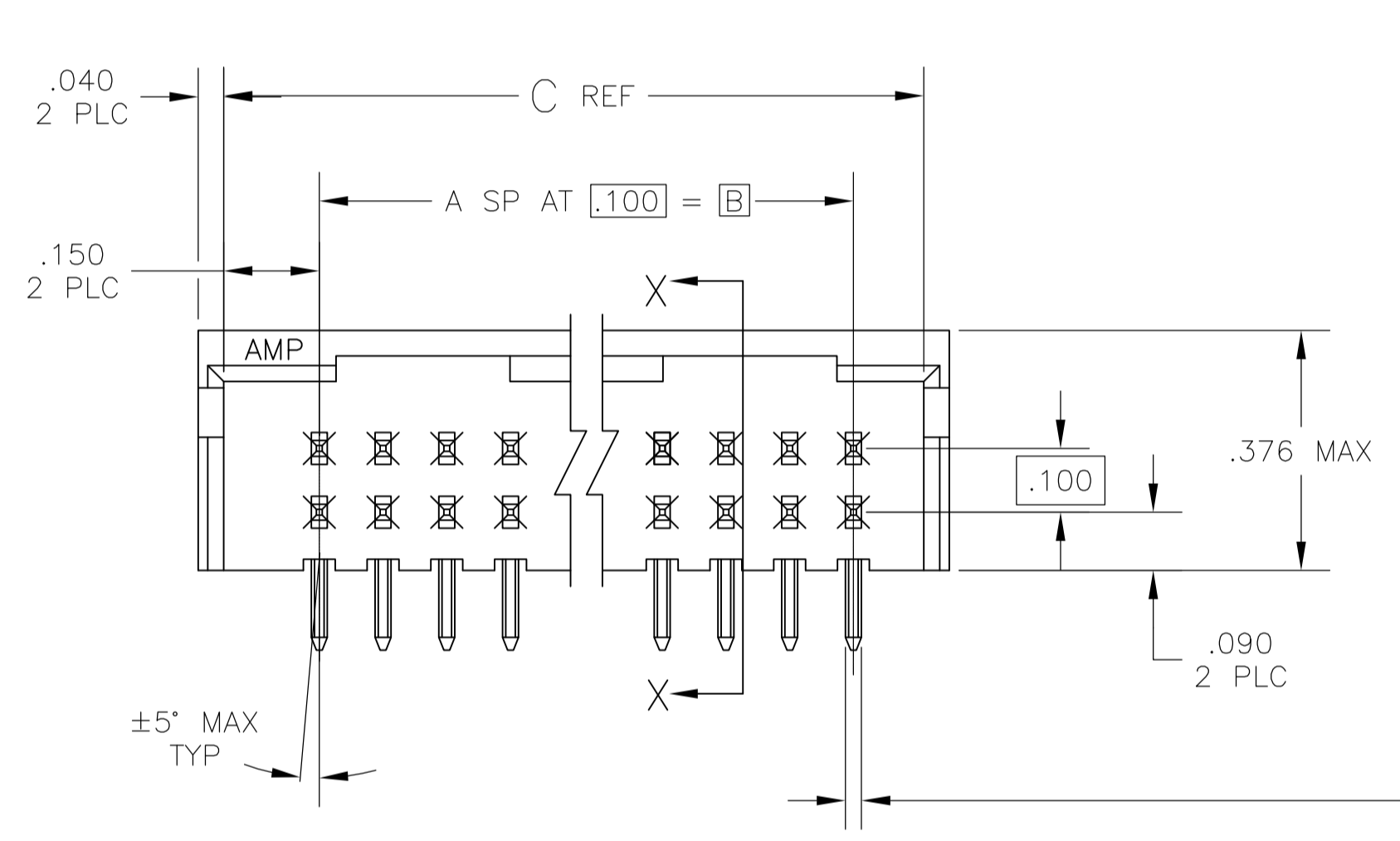
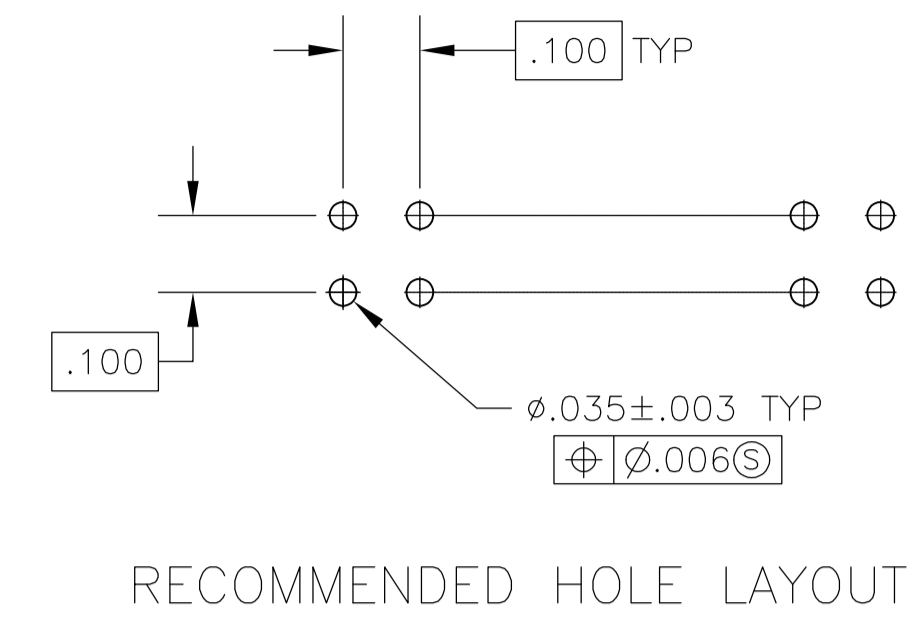
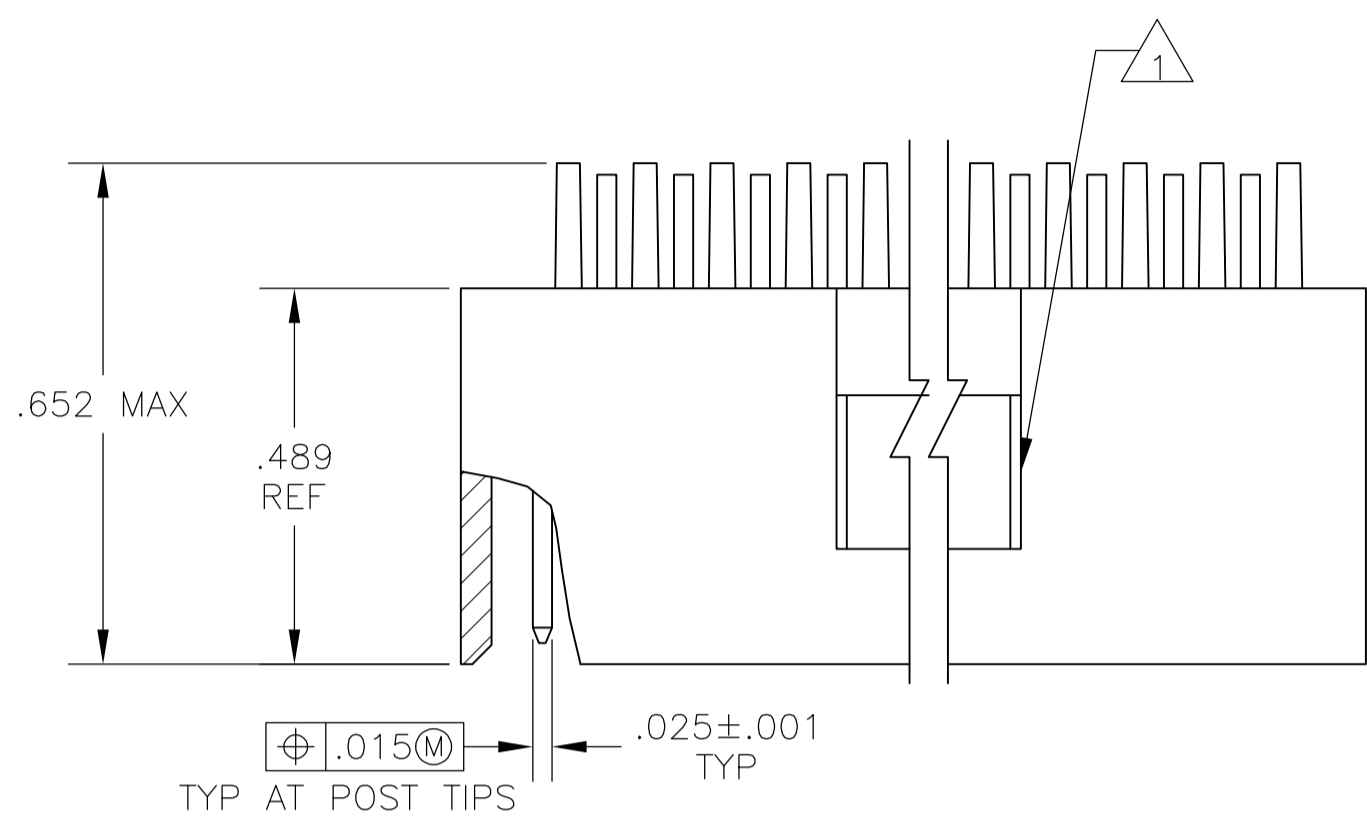
Tel: +86-755-8981 8866 Fax: +86-755-8427 6832

Email & Skype: info@chipsmall.com Web: www.chipsmall.com

Address: A1208, Overseas Decoration Building, #122 Zhenhua RD., Futian, Shenzhen, China



LOC		DIST		REVISIONS			
P	LTR	DESCRIPTION	DATE	DNW	APVD		
J	EC	063C 0209 05	27APR05	BSV	JLG		
J1		REVISED PER ECO-09-020689	01SEP09	KK	AEG		



- 1 ACCESS SLOT.
- 2 CONTACT: .000100-.000200 BRIGHT TIN-LEAD OVER .000050 NICKEL.
- 3 CONTACT: .000100-.000200 MATTE TIN OVER .000050 NICKEL.
- 4 OBSOLETE PARTS: OBSOLETE CIS STREAMLINING PER D.RENAUD/D.SINISI

4	3	3.200	2.900	29	60	7-87568-6
4	3	2.700	2.400	24	50	7-87568-1
4	3	2.200	1.900	19	40	6-87568-6
4	3	1.900	1.600	16	34	6-87568-3
4	3	1.500	1.200	12	26	5-87568-9
4	3	1.200	.900	9	20	5-87568-6
4	3	1.100	.800	8	18	5-87568-5
4	3	1.000	.700	7	16	5-87568-4
4	3	.900	.600	6	14	5-87568-3
4	3	.800	.500	5	12	5-87568-2
4	3	.700	.400	4	10	5-87568-1
4	2	3.800	3.500	35	72	3-87568-2
4	2	3.700	3.400	34	70	3-87568-1
4	2	3.600	3.300	33	68	3-87568-0
4	2	3.500	3.200	32	66	2-87568-9
4	2	3.400	3.100	31	64	2-87568-8
4	2	3.300	3.000	30	62	2-87568-7
4	2	3.200	2.900	29	60	2-87568-6
4	2	3.100	2.800	28	58	2-87568-5
4	2	3.000	2.700	27	56	2-87568-4
4	2	2.900	2.600	26	54	2-87568-3
4	2	2.800	2.500	25	52	2-87568-2
4	2	2.700	2.400	24	50	2-87568-1
4	2	2.600	2.300	23	48	2-87568-0
4	2	2.500	2.200	22	46	1-87568-9
4	2	2.400	2.100	21	44	1-87568-8
4	2	2.300	2.000	20	42	1-87568-7
4	2	2.200	1.900	19	40	1-87568-6
4	2	2.100	1.800	18	38	1-87568-5
4	2	2.000	1.700	17	36	1-87568-4
4	2	1.900	1.600	16	34	1-87568-3
4	2	1.800	1.500	15	32	1-87568-2
4	2	1.700	1.400	14	30	1-87568-1
4	2	1.600	1.300	13	28	1-87568-0
4	2	1.500	1.200	12	26	87568-9
4	2	1.400	1.100	11	24	87568-8
4	2	1.300	1.000	10	22	87568-7
4	2	1.200	.900	9	20	87568-6
4	2	1.100	.800	8	18	87568-5
4	2	1.000	.700	7	16	87568-4
4	2	.900	.600	6	14	87568-3
4	2	.800	.500	5	12	87568-2
4	2	.700	.400	4	10	87568-1

PLATING	C	B	A	NO OF POSN	PART NUMBER
THIS DRAWING IS A CONTROLLED DOCUMENT.					
DIMENSIONS: INCHES		TOLERANCES UNLESS OTHERWISE SPECIFIED:		DWN: S.A. SHUEY 11OCT89 CHK: R. FLICKER 25OCT89 APVD: R. FLICKER 25OCT89 NAME: R. FLICKER	
0 PLC ± - 1 PLC ± - 2 PLC ± - 3 PLC ± .005 4 PLC ± - ANGLES ± -		MATERIAL: HOUSING: FLAME RETARDANT COLOR: BRNZ POSTPHOS BRONZE FINISH: SEE TABLE		Tyco Electronics Corporation Harrisburg, Pa 17105-3608 HEADER ASSY, MOD II, DBL ROW, .100X.100 C/L, RIGHT ANGLE, (3) SIDED SHROUD SIZE: A1 CAGE CODE: 00779 DRAWING NO: 87568 WEIGHT: - RESTRICTED TO: - CUSTOMER DRAWING SCALE: 4:1 SHEET 1 OF 1 REV: J1	