



Chipsmall Limited consists of a professional team with an average of over 10 year of expertise in the distribution of electronic components. Based in Hongkong, we have already established firm and mutual-benefit business relationships with customers from,Europe,America and south Asia,supplying obsolete and hard-to-find components to meet their specific needs.

With the principle of “Quality Parts,Customers Priority,Honest Operation,and Considerate Service”,our business mainly focus on the distribution of electronic components. Line cards we deal with include Microchip,ALPS,ROHM,Xilinx,Pulse,ON,Everlight and Freescale. Main products comprise IC,Modules,Potentiometer,IC Socket,Relay,Connector.Our parts cover such applications as commercial,industrial, and automotives areas.

We are looking forward to setting up business relationship with you and hope to provide you with the best service and solution. Let us make a better world for our industry!



## Contact us

Tel: +86-755-8981 8866 Fax: +86-755-8427 6832

Email & Skype: info@chipsmall.com Web: www.chipsmall.com

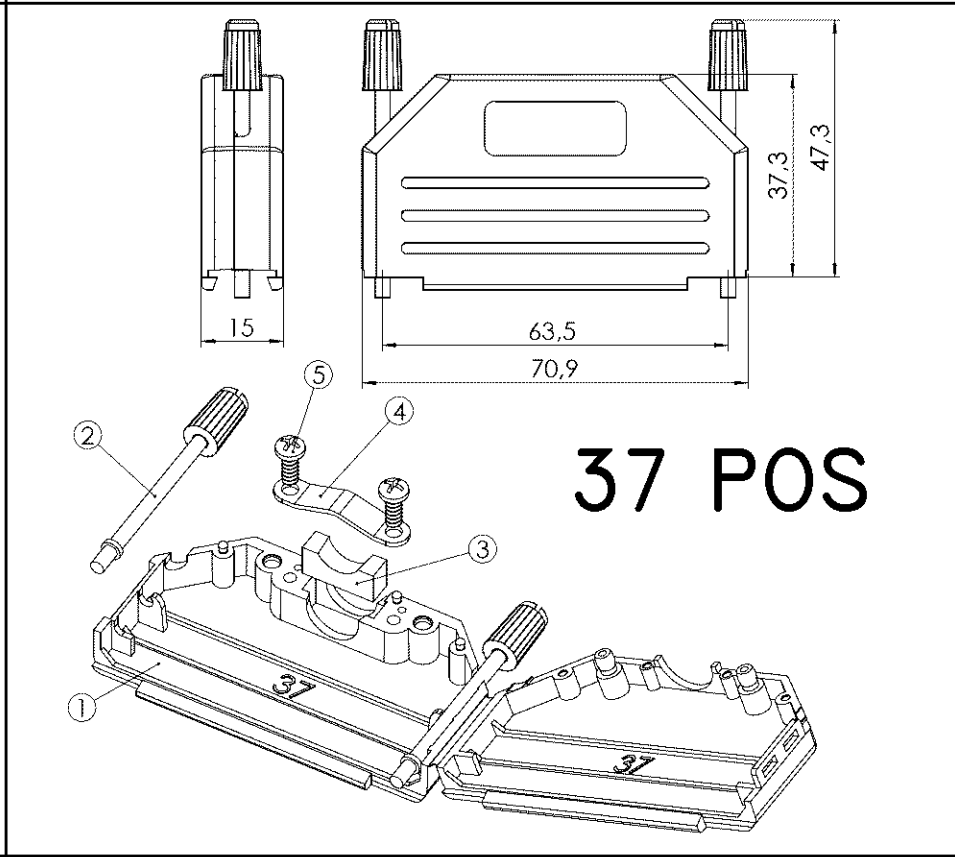
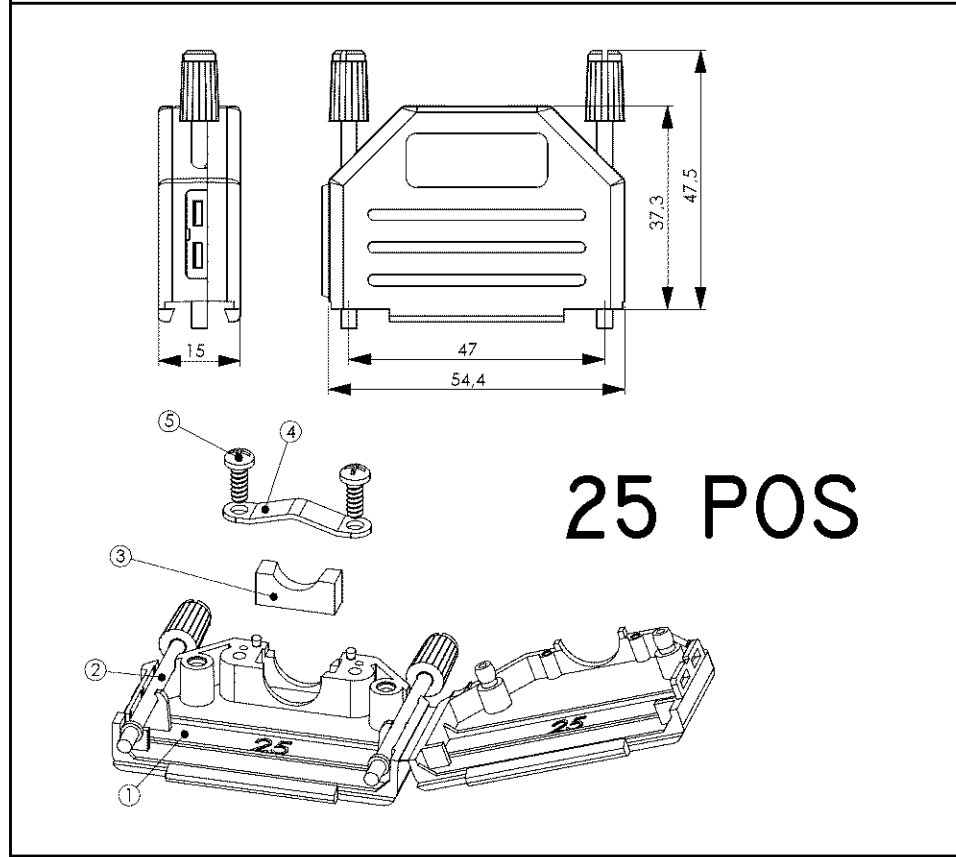
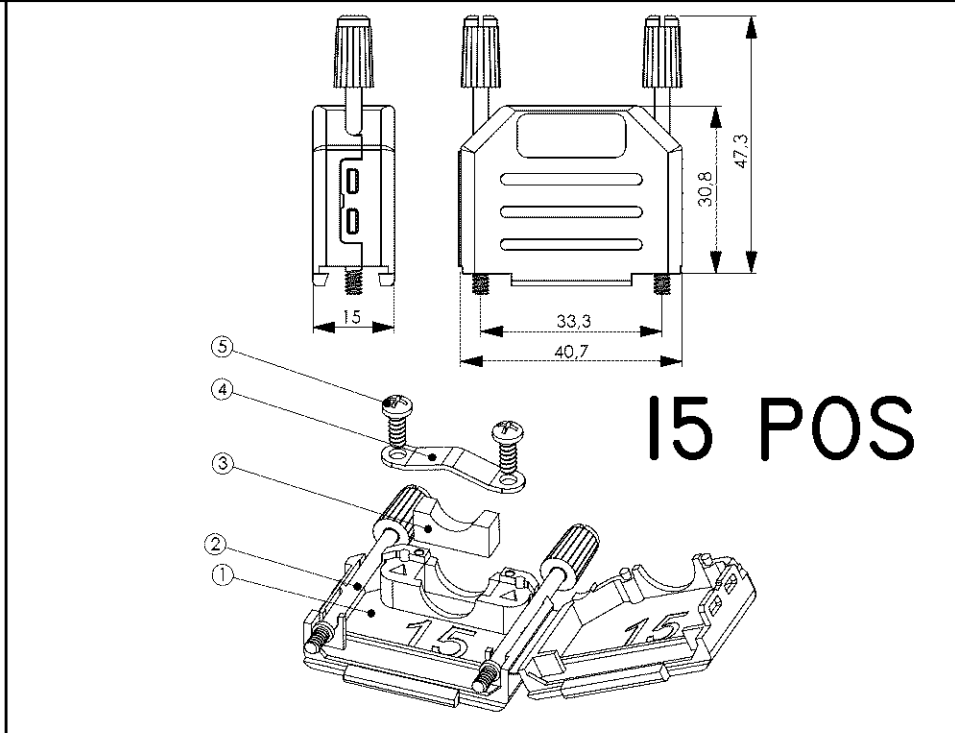
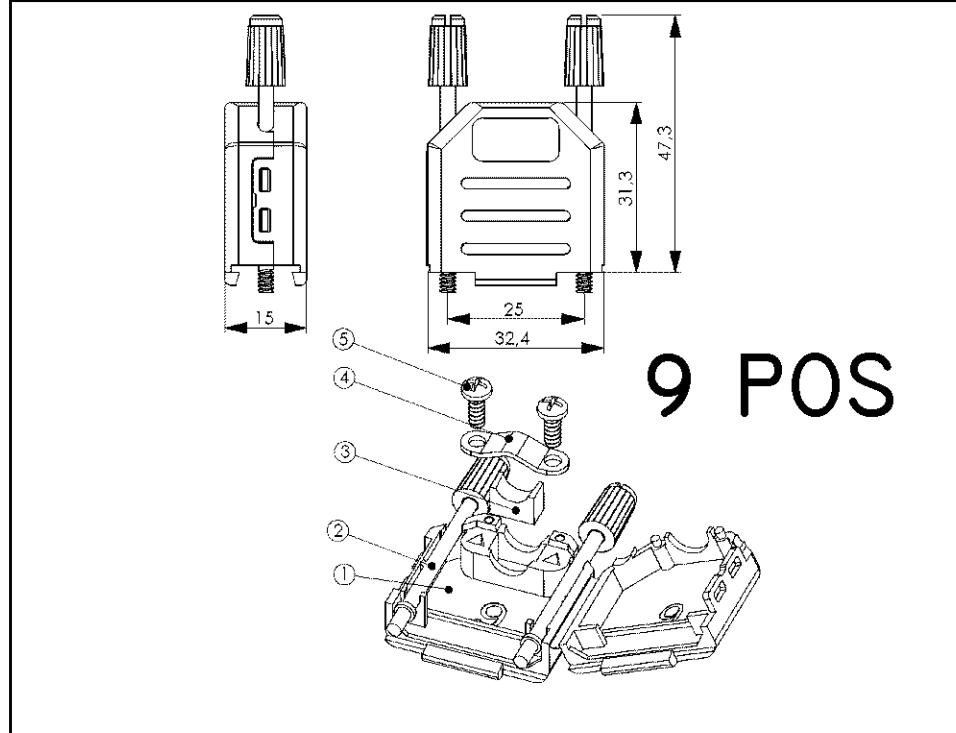
Address: A1208, Overseas Decoration Building, #122 Zhenhua RD., Futian, Shenzhen, China



THIS DRAWING IS UNPUBLISHED. RELEASED FOR PUBLICATION  
 © COPYRIGHT - BY TYCO ELECTRONICS CORPORATION. ALL RIGHTS RESERVED.

LOC H  
 DIST -

REVISIONS				
P	LTR	DESCRIPTION	DATE	APVD
A		FIRST ISSUE	14MAY07	DC TdB
A1		REVISED PER ECO-09-026495	NOV09	KK AEG



**NOTES:**  
 1) CABLE DIAMETER 3 TO 11 MM DEPENDING ON PLACEMENT OF THE GROMMET.  
 2) MINIMUM ORDER QUANTITY FOR ALL PARTNUMBERS 100 KITS  
 3) OBSOLETE PARTS: OBSOLETE CIS STREAMLINING PER D.RENAUD/D.SINISI

D-SUBMINIATURE COVER KIT			
PARTNUMBER	POSITION	THREAD JACKSCREW	COLOR
5-885000-1	9	#4-40 UNC	BLACK
5-885000-2	15	#4-40 UNC	BLACK
5-885000-3	25	#4-40 UNC	BLACK
5-885000-4	39	#4-40 UNC	BLACK
<del>2-885000-1</del> 3	9	M3	BLACK
<del>2-885000-2</del> 3	15	M3	BLACK
<del>2-885000-3</del> 3	25	M3	BLACK
<del>2-885000-4</del> 3	39	M3	BLACK

ITEM	QTY	DESCRIPTION	MATERIAL
1	1	COVER	NYLON 6 UL94V-2
2	2	JACKSCREW	NI PLATED BRASS
3	1	GROMMET	NYLON 6 UL94V-2
4	1	CABLE CLAMP	ZN PLATED STEEL
5	2	SELF TAPPING SCREW	ZN PLATED STEEL

THIS DRAWING IS A CONTROLLED DOCUMENT FOR TYCO ELECTRONICS CORPORATION IT IS SUBJECT TO CHANGE AND THE CONTROLLING ENGINEERING ORGANIZATION SHOULD BE CONTACTED FOR THE LATEST REVISION.

DIMENSIONS:		TOLERANCES UNLESS OTHERWISE SPECIFIED:	
mm		0 PLC	±-
		1 PLC	±-
		2 PLC	±-
		3 PLC	±-
		4 PLC	±-
		ANGLES	±-

MATERIAL - FINISH -

DWN	14MAY07	<b>tyco</b> Electronics	TYCO ELECTRONICS NEDERLAND B.V.	
CHK	14MAY07		's-HERTOGENBOSCH, THE NETHERLANDS	
DWN	14MAY07	NAME	SUB-D COVER KIT; 9, 15, 25 OR 39 POS.	
APVD	T. DE BOER	M3 OR #4-40 UNC TRHEADED JACKSCREW		
PRODUCT SPEC	-	SIZE	CAGE CODE	DRAWING NO
APPLICATION SPEC	-	A3	00779	2-885000-1
WEIGHT	-	RESTRICTED TO		-
CUSTOMER DRAWING	SCALE	NTS	SHEET	OF
				REV A1