



Chipsmall Limited consists of a professional team with an average of over 10 year of expertise in the distribution of electronic components. Based in Hongkong, we have already established firm and mutual-benefit business relationships with customers from,Europe,America and south Asia,supplying obsolete and hard-to-find components to meet their specific needs.

With the principle of “Quality Parts,Customers Priority,Honest Operation,and Considerate Service”,our business mainly focus on the distribution of electronic components. Line cards we deal with include Microchip,ALPS,ROHM,Xilinx,Pulse,ON,Everlight and Freescale. Main products comprise IC,Modules,Potentiometer,IC Socket,Relay,Connector.Our parts cover such applications as commercial,industrial, and automotives areas.

We are looking forward to setting up business relationship with you and hope to provide you with the best service and solution. Let us make a better world for our industry!



Contact us

Tel: +86-755-8981 8866 Fax: +86-755-8427 6832

Email & Skype: info@chipsmall.com Web: www.chipsmall.com

Address: A1208, Overseas Decoration Building, #122 Zhenhua RD., Futian, Shenzhen, China



Materials

1. Contact: zinc, 1-1.5 µm nickel plated
2. Shell: stainless steel, 1-2 µm nickel plated
3. Insulator: POM, black
4. Insulation paper: micarex, natural color
5. Screw: stainless steel

Ratings

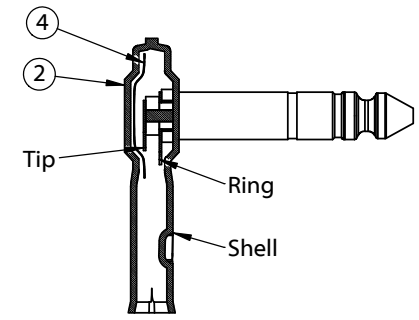
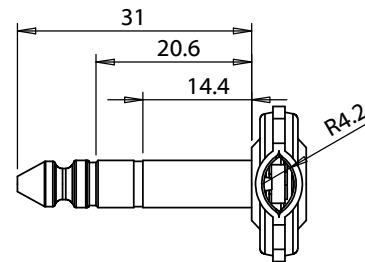
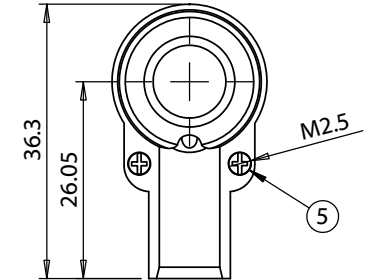
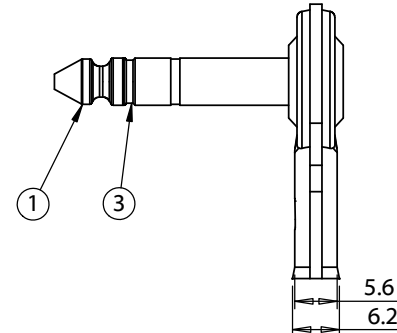
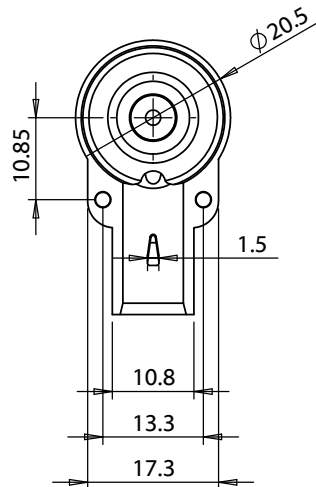
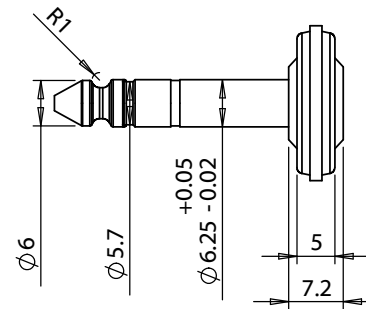
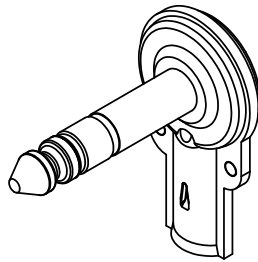
Operating temperature: -30°C ~60°C
 Current rating: 10 A @ 250 Vac, 10 A @ 500 Vdc

Electrical requirements

Withstand voltage: 500 - 2000 Vac, 800 Vdc
 Insulation resistance: ≥ 100 MΩ
 Contact resistance: ≤ 20 mΩ

Mechanical requirements

Insertion force: 1.0 - 2.0 kgf
 Withdrawal force: 1.0 - 2.0 kgf



Cross section

REVISION	DATE	DESCRIPTION
A	12/5/11	initial release
A1	10/1/12	updated to show coating
A2	6/18/13	updated description
A3	3/12/14	changed materials

PREPARED:

JM
 2014.03.13 10:25:31 -07'00'

VERIFIED:

LA

Digitally signed by LA
 DN: cn=LA, ou=Tensility, ou,
 email=QA0001@tensility.com,
 c=US
 Date: 2014.03.13 11:45:20 -07'00'

DIMENSIONS ARE IN MILLIMETERS

TOLERANCES:
 X: ± 0.5 mm
 X.X: ± 0.3 mm
 X.XX: ± 0.05 mm

NOTES

RoHS and REACH compliant

Function test: no open, no short circuit, no INT

Tip and ring solder contact orientation may vary. This doesn't affect the function or performance of the connector.

DESCRIPTION:

Connector, audio plug, 6.3 mm, right angle, shielded handle, assembly type

TENSILITY

**20802 Sockeye Place #130
 Bend, OR 97701 USA
 tel 541.323.3228 fax 541.323.4202
 800 877.670.7118 www.tensility.com**

SIZE
 A **PART NUMBER**
50-00185

SCALE: 5:1 WEIGHT: SHEET 1 OF 1