



Chipsmall Limited consists of a professional team with an average of over 10 year of expertise in the distribution of electronic components. Based in Hongkong, we have already established firm and mutual-benefit business relationships with customers from,Europe,America and south Asia,supplying obsolete and hard-to-find components to meet their specific needs.

With the principle of “Quality Parts,Customers Priority,Honest Operation,and Considerate Service”,our business mainly focus on the distribution of electronic components. Line cards we deal with include Microchip,ALPS,ROHM,Xilinx,Pulse,ON,Everlight and Freescale. Main products comprise IC,Modules,Potentiometer,IC Socket,Relay,Connector.Our parts cover such applications as commercial,industrial, and automotives areas.

We are looking forward to setting up business relationship with you and hope to provide you with the best service and solution. Let us make a better world for our industry!



Contact us

Tel: +86-755-8981 8866 Fax: +86-755-8427 6832

Email & Skype: info@chipsmall.com Web: www.chipsmall.com

Address: A1208, Overseas Decoration Building, #122 Zhenhua RD., Futian, Shenzhen, China



Materials

- 1. C3604 brass, nickel plated
- 2. C3604 brass, nickel plated
- 3. POM, white

Electrical requirements

Dielectric strength: 1 min @ 500 Vac and 2mA
 Insulation resistance: 100 MΩ @ 100 Vdc
 Contact resistance: 50 mΩ or less

Mechanical requirements

Durability: 5000 mating cycles while maintaining normal operation and < 50mΩ
 Bending strength: ≥ 1.5 kg
 Breaking strength: ≥ 3.0 kg

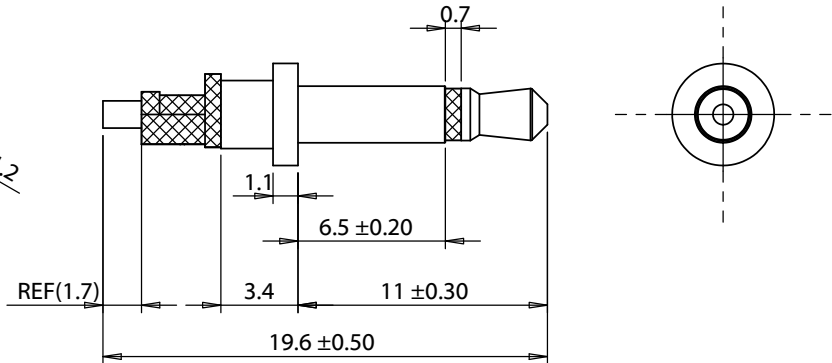
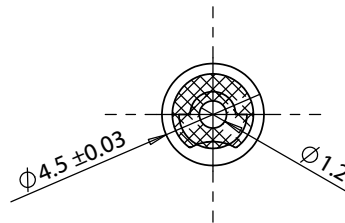
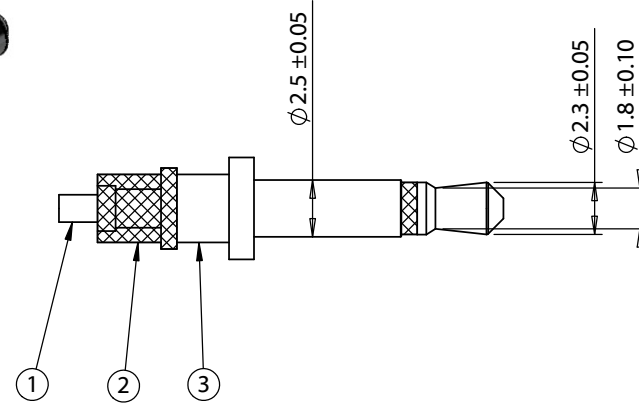
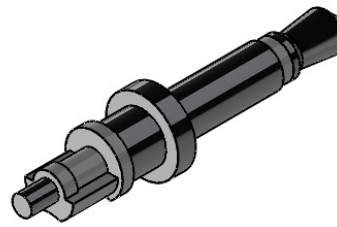
Environmental tests

Salt spray test: 5% NaCl spray at 1ml/80cm²/h, chamber temp 46.5°C, spray temp 35°C, 87% humidity, 48 hours. No oxidation.

Cold resistance: -25°C±3 for 2 hours with no degradation.
 Heat resistance: 85°C±3 for 2 hours with no degradation.

Operating range

-30 to 85 °C



REVISION	DATE	DESCRIPTION
A	3/6/14	Initial release

PREPARED:
 JM
 2014.03.07 09:21:58 -08'00'

VERIFIED:
LA
Digitally signed by LA
 DN: cn=LA, o=Tensility, ou=
 email=06050@tensility.com,
 c=US
 Date: 2014.03.07 09:41:45 -08'00'

DIMENSIONS ARE IN MILLIMETERS

TOLERANCES:
 X: ± 0.5 mm
 X.X: ± 0.3 mm
 X.XX: ± 0.05 mm

NOTES
 RoHS and REACH compliant
 Function test: no open, no short circuit, no INT

DESCRIPTION:
 Connector, mono plug, 2.5xL19.6 mm, brass, nickel plated, white, molding style

TENSILITY

20802 Sockeye Place #130
 Bend, OR 97701 USA
 tel 541.323.3228 fax 541.323.4202
 800 877.670.7118 www.tensility.com

SIZE
 A PART NUMBER
50-00404

SCALE: 5:1 WEIGHT: SHEET 1 OF 1