



Chipsmall Limited consists of a professional team with an average of over 10 year of expertise in the distribution of electronic components. Based in Hongkong, we have already established firm and mutual-benefit business relationships with customers from,Europe,America and south Asia,supplying obsolete and hard-to-find components to meet their specific needs.

With the principle of "Quality Parts,Customers Priority,Honest Operation,and Considerate Service",our business mainly focus on the distribution of electronic components. Line cards we deal with include Microchip,ALPS,ROHM,Xilinx,Pulse,ON,Everlight and Freescale. Main products comprise IC,Modules,Potentiometer,IC Socket,Relay,Connector.Our parts cover such applications as commercial,industrial, and automotives areas.

We are looking forward to setting up business relationship with you and hope to provide you with the best service and solution. Let us make a better world for our industry!



Contact us

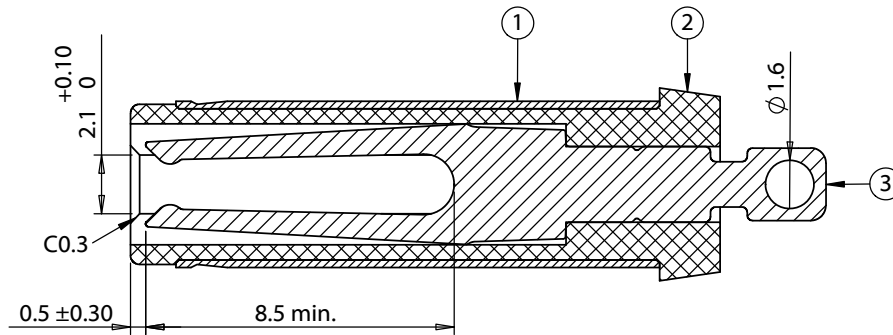
Tel: +86-755-8981 8866 Fax: +86-755-8427 6832

Email & Skype: info@chipsmall.com Web: www.chipsmall.com

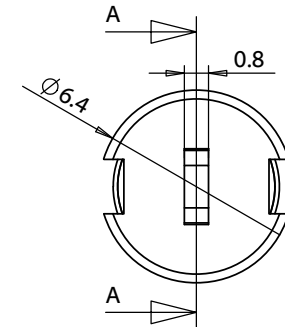
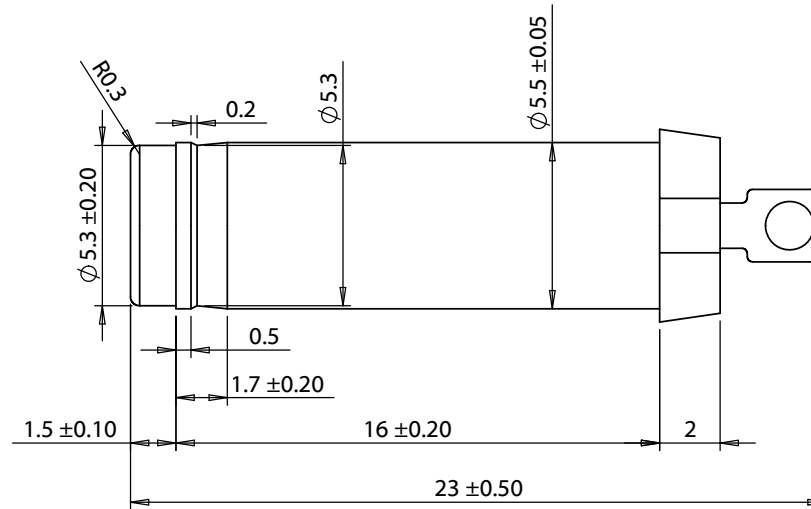
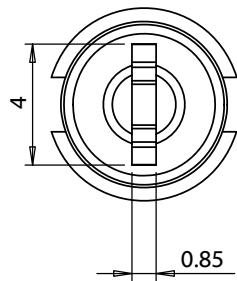
Address: A1208, Overseas Decoration Building, #122 Zhenhua RD., Futian, Shenzhen, China



ITEM NO.	DESCRIPTION	MATERIAL	QTY.
1	Shell	C3604 brass, nickel plated	1
2	Insulator	Nylon PA46, black	1
3	Spring Contact	C5191 Phosphor bronze, nickel plated	1



SECTION A-A
SCALE 4:1




Ratings

Operating Voltage: 48 Vdc
Max Current: 9.5 A

Operating Temperature Range

-25° to 105° C, relative humidity of 85% or less

Revision:	Date:	Description:	Prepared:	Notes:	<h1>TENSILITY</h1> <p>tel 1.541.323.3228 800 877.670.7118 fax 1.541.323.4202 web tensility.com</p>
A	9/28/2016	Initial release	DN <small>Digitally signed by DN Date: 2017.02.20 14:57:47 -08'00'</small>	RoHS and REACH compliant	
			Verified:	Function test: no open, no short circuit, no intermittent	Size: Part number: A 50-00540
			GL <small>Digitally signed by GL Date: 2017.02.24 07:52:13 -08'00'</small>	Description:	
			Dimensions are in millimeters. Tolerances: X: ± 0.5 mm X.X: ± 0.3 mm X.XX: ± 0.05 mm	Connector, dc plug, 5.5x2.1x23 mm, molding style, spring contacts, nickel plated, 105° C	Scale: 1:1
					 Sheet 1 of 2

Electrical Requirements

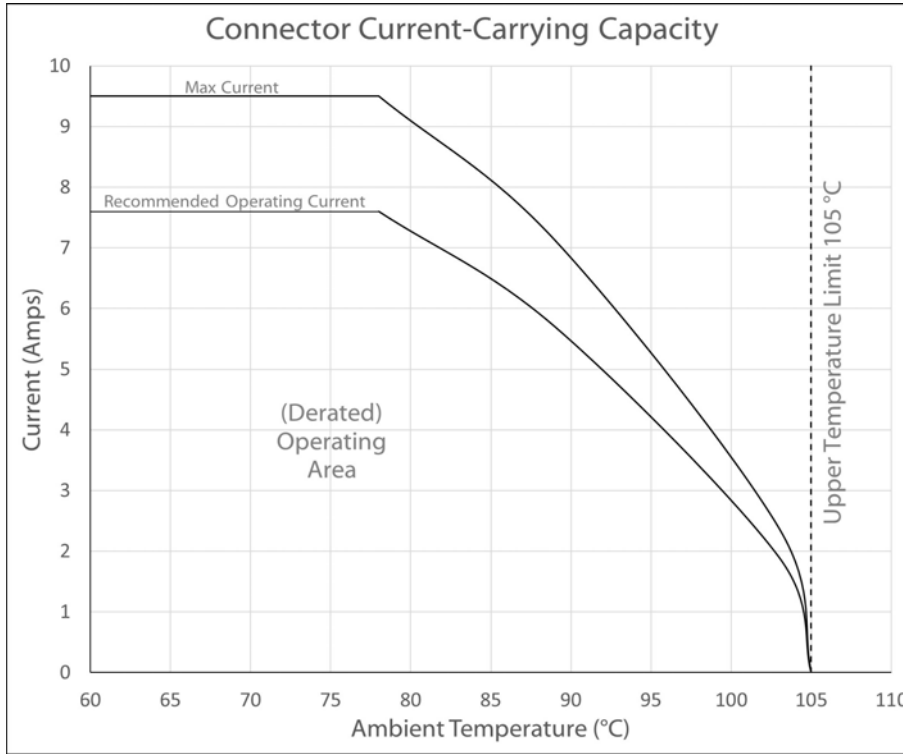
Operating Voltage: 48 Vdc
 Max Current: 9.5 A
 Dielectric strength: 1 min @ 500 Vac
 Insulation resistance: 100 MΩ @ 500 Vdc
 Contact resistance: 30 mΩ or less

Mechanical Requirements

Insertion force: 0.3-3 kgf
 Withdrawal force: 0.3-3 kgf
 Life cycle: 5000 mating cycles while maintaining 0.3-2 kgf min. insertion force, 0.2-1.5 kgf min. withdrawal force and less than 100 mΩ contact resistance.

Environmental Requirements

Operating Temperature Range: -25° to 105° C, relative humidity of 85% or less
 Heat test: 70 °C, relative humidity 70-85% for 96 hours without deformation while maintaining less than 100 mΩ contact resistance and a minimum of 50 MΩ insulation resistance at 500 Vdc.
 Humidity test: 40 °C, relative humidity 90-100% for 96 hours without deformation while maintaining dielectric strength at 500 Vac for one minute, minimum insulation resistance of 50 MΩ at 500 Vdc, and a maximum contact resistance of 100 mΩ.
 Salt spray test: 35±2 °C, relative humidity 90-95%, 5% NaCl mist for 24 hrs. Wash parts after test. Maintain mechanical requirements and a contact resistance of less than 80 mΩ.



Testing based on IEC 60512-5-2. Max current curve generated with isolated test article under controlled environmental conditions, and does not take into account external factors such as housings or circuitry. Recommended operating current curve accounts for external factors, manufacturing variation, and error in temperature measurements.

Revision:	Date:	Description:	Prepared:	Notes:	<h1>TENSILITY</h1> <p>tel 1.541.323.3228 800 877.670.7118 fax 1.541.323.4202 web tensility.com</p>
A	2/16/2017	Initial release	DN <small>Digitally signed by DN Date: 2017.02.20 14:58:05 -08'00'</small>	RoHS and REACH compliant	
			Verified: GL <small>Digitally signed by GL Date: 2017.02.24 07:52:41 -08'00'</small>	Function test: no open, no short circuit, no intermittent	Size: Part number:
			Dimensions are in millimeters. Tolerances: X: ± 0.5 mm X.X: ± 0.3 mm X.XX: ± 0.05 mm	Description: Connector, dc plug, 5.5x2.1x23 mm, molding style, spring contacts, nickel plated, 105° C	A 50-00540
					Scale: 1:1
					Sheet 2 of 2