



Chipsmall Limited consists of a professional team with an average of over 10 year of expertise in the distribution of electronic components. Based in Hongkong, we have already established firm and mutual-benefit business relationships with customers from,Europe,America and south Asia,supplying obsolete and hard-to-find components to meet their specific needs.

With the principle of “Quality Parts,Customers Priority,Honest Operation,and Considerate Service”,our business mainly focus on the distribution of electronic components. Line cards we deal with include Microchip,ALPS,ROHM,Xilinx,Pulse,ON,Everlight and Freescale. Main products comprise IC,Modules,Potentiometer,IC Socket,Relay,Connector.Our parts cover such applications as commercial,industrial, and automotives areas.

We are looking forward to setting up business relationship with you and hope to provide you with the best service and solution. Let us make a better world for our industry!



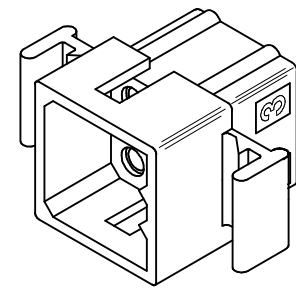
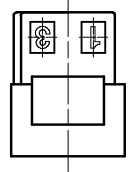
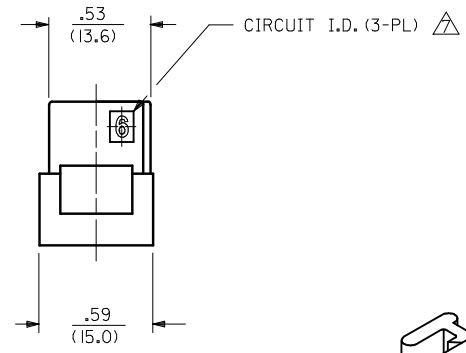
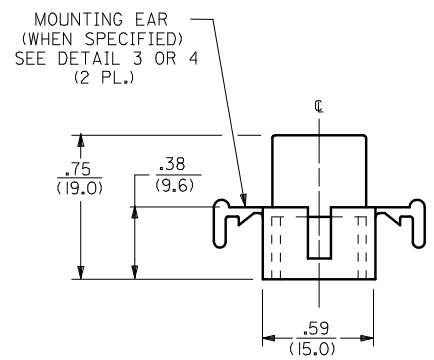
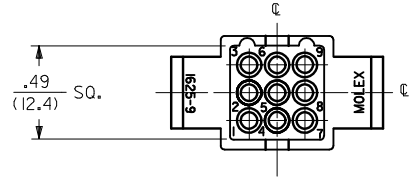
Contact us

Tel: +86-755-8981 8866 Fax: +86-755-8427 6832

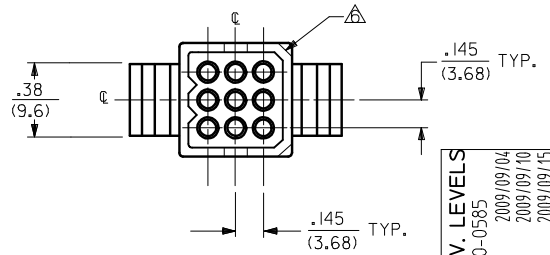
Email & Skype: info@chipsmall.com Web: www.chipsmall.com

Address: A1208, Overseas Decoration Building, #122 Zhenhua RD., Futian, Shenzhen, China





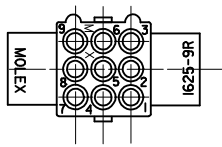
PLUG



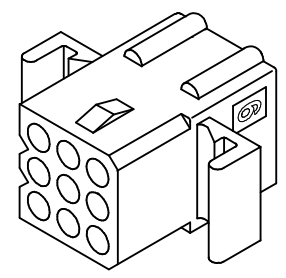
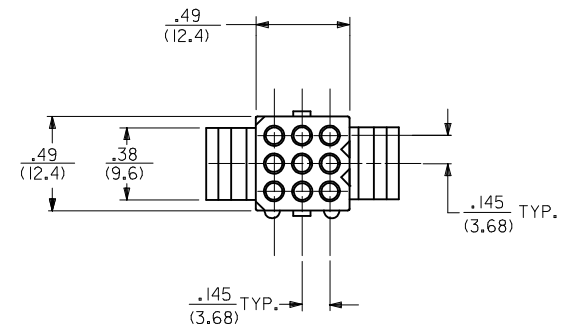
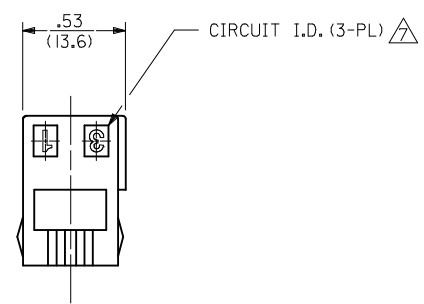
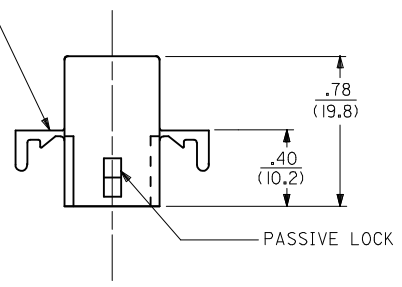
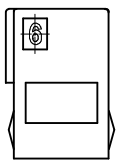
3	S
2	S
1	S
SHT. REV.	

UPDATE REV. LEVELS EC NO: UCP2010-0585 DRWN:RBENES 2009/09/04 CHKD:JBELL 2009/09/10 APPR:FSMITH 2009/09/15	QUALITY SYMBOLS ▽=0 ▽=0	GENERAL TOLERANCES (UNLESS SPECIFIED)		DIMENSION STYLE IN/MM	SCALE 1:1	DESIGN UNITS INCH	THIRD ANGLE PROJECTION
		4 PLACES ± --- ± --- 3 PLACES ± --- ± .010 2 PLACES ± 0.25 ± .014 1 PLACE ± 0.36 ± ---	DRAWN BY JJS	DATE 1988/02/05	TITLE .062/(1.57) HOUSINGS PLUG & RECEPTACLE 9 CKT., .145/(3.68) CTRS		
		ANGULAR ± 1/2°	CHECKED BY RW	DATE 1988/02/05	MOLEX MOLEX INCORPORATED		
		DRAFT WHERE APPLICABLE MUST REMAIN WITHIN DIMENSIONS	APPROVED BY RAS	DATE 1988/02/05	MATERIAL NO. SEE CHART	DOCUMENT NO. SD-1625-9*	SHEET NO. 1 OF 3

SIZE C THIS DRAWING CONTAINS INFORMATION THAT IS PROPRIETARY TO MOLEX INCORPORATED AND SHOULD NOT BE USED WITHOUT WRITTEN PERMISSION



OPTIONAL MOUNTING EARS
SEE DETAIL 3 OR 4
FOR VERSIONS AVAILABLE



RECEPTACLE

UPDATE REV. LEVEL EC NO: UCP2010-0585 DRWN:TRBENES 2009/09/04 CHKD: 2009/09/10 APPR:FSMLTH 2009/09/15	QUALITY SYMBOLS ▽=0 ▽=0	GENERAL TOLERANCES (UNLESS SPECIFIED)		DIMENSION STYLE IN/MM	SCALE 1:1	DESIGN UNITS INCH	THIRD ANGLE PROJECTION	
		4 PLACES ± --- ± ---	3 PLACES ± --- ± .010	DRAWN BY JJS	DATE 1988/02/05	TITLE .062/(1.57) HOUSINGS, PLUG AND RECEPTACLE, 9 CKT., .145/(3.68) CTRS		
		2 PLACES ± 0.25 ± .014	1 PLACE ± 0.36 ± ---	CHECKED BY RW	DATE 1988/02/05	MOLEX MOLEX INCORPORATED		
		ANGULAR ± 1/2°		APPROVED BY RAS	DATE 1988/02/05	MATERIAL NO. SEE CHART	DOCUMENT NO. SD-1625-9*	SHEET NO. 2 OF 3
DRAFT WHERE APPLICABLE MUST REMAIN WITHIN DIMENSIONS		SIZE C		THIS DRAWING CONTAINS INFORMATION THAT IS PROPRIETARY TO MOLEX INCORPORATED AND SHOULD NOT BE USED WITHOUT WRITTEN PERMISSION				

PLUG	
PART NO.	ENG. NO.
03-06-2091	1625-9P
03-06-2092	1625-9P1
23-06-2091	1625-9P-C
23-06-2092	1625-9P1-C
04-06-6091	1625-9P1-B
03-06-7091	1625-9PBK
03-06-7092	1625-9PIBK
	OBSOLETE

RECEPTACLE	
PART NO.	ENG. NO.
03-06-1091	1625-9R
03-06-1092	1625-9R1
23-06-1091	1625-9R-C
23-06-1092	1625-9R1-C
03-06-6091	1625-9RBK
03-06-6092	1625-9RIBK
50-36-1871	1625-9R4
50-36-1872	1625-9R4-C

LEGEND:

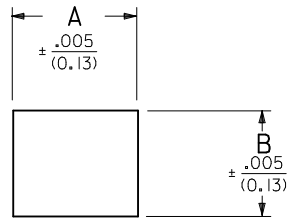
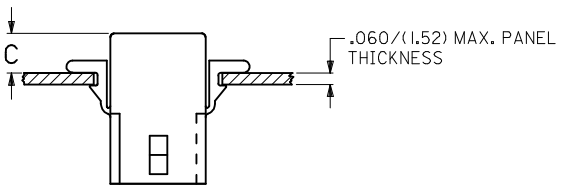
1625-****-*

CIRCUIT SIZE
P = PLUG
R = RECEPTACLE

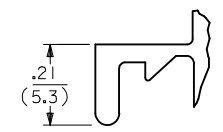
MOUNTING EAR & DETENT COMBINATIONS:
BLANK=PLUG OR RECEPTACLE WITH STANDARD EARS
1=PLUG OR RECEPTACLE WITHOUT EARS
4=PLUG OR RECEPTACLE WITH PREBENT EARS

BLANK = NATURAL COLOR
AM = AMBER BK = BLACK BU = BLUE
BN = BROWN GY = GRAY GN = GREEN
OR = ORANGE RD = RED YW = YELLOW

MATERIAL: A=MATERIAL CODE A
B=MATERIAL CODE B
C=MATERIAL CODE C



RECEP.	.650 (16.51)	.552 (14.02)	.21 (5.3)	.22 (5.6)
PLUG	.752 (19.10)	.615 (15.62)	.20 (5.1)	.21 (5.3)
PART	DIM. A	DIM. B	DIM. C (STANDARD EAR)	DIM. C (PREBENT EAR)

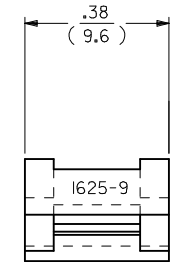


DETAIL 3
STANDARD MOUNTING EAR
(SCALE 4:1)

RECOMMENDED HOLE PATTERN

NOTES:

- MATERIAL CODES:
A-NYLON TYPE 6/6, 94V-2
B-NYLON TYPE 6/6, 94V-0
C-POLYPROPYLENE, 94V-0
 - FINISH: NONE
 - PRODUCT SPECIFICATION: PS-02-06
 - PACKAGING SPECIFICATION: PK-1625-001
 - HOUSINGS OF USE WITH MOLEX .062 DIAMETER TERMINALS.
- △ SOME PARTS MAY HAVE THIS CORNER CHAMFERED.
- ▽ ETCHED CIRCUIT I.D. NUMBERS ON HOUSING MAY OR MAY NOT BE PRESENT.
- PARTS CONFORM TO CLASS B REQUIREMENTS OF COSMETIC SPECIFICATION PS-45499-002.



DETAIL 4
PREBENT MOUNTING EAR
(SCALE 4:1)

RE-INSTATE 1625-9R EC NO: UCP2010-0585 DRWN:RBENES 2009/09/04 CHKD:JBELL 2009/09/10 APPR:FSMITH 2009/09/15	QUALITY SYMBOLS ▽=0 ▽=0	GENERAL TOLERANCES (UNLESS SPECIFIED)		DIMENSION STYLE IN/MM	SCALE 1:1	DESIGN UNITS INCH	THIRD ANGLE PROJECTION		
		4 PLACES ± --- ± --- 3 PLACES ± --- ± .010 2 PLACES ± 0.25 ± .014 1 PLACE ± 0.36 ± ---	mm INCH ± --- ± --- ± .010 ± .014 ± 0.25 ± .014 ± --- ± ---	DRAWN BY JJS	DATE 1988/02/12	TITLE .062/(1.57) HOUSINGS, PLUG AND RECEPTACLE, 9 CKT., .145/(3.68) CTRS			
		ANGULAR ± 1 °		CHECKED BY RW	DATE 1988/02/12	MOLEX INCORPORATED			
		DRAFT WHERE APPLICABLE MUST REMAIN WITHIN DIMENSIONS		APPROVED BY RAS	DATE 1988/02/12	MATERIAL NO. SEE CHART	DOCUMENT NO. SD-1625-9*	SHEET NO. 3 OF 3	

THIS DRAWING CONTAINS INFORMATION THAT IS PROPRIETARY TO MOLEX INCORPORATED AND SHOULD NOT BE USED WITHOUT WRITTEN PERMISSION