



Chipsmall Limited consists of a professional team with an average of over 10 year of expertise in the distribution of electronic components. Based in Hongkong, we have already established firm and mutual-benefit business relationships with customers from,Europe,America and south Asia,supplying obsolete and hard-to-find components to meet their specific needs.

With the principle of “Quality Parts,Customers Priority,Honest Operation,and Considerate Service”,our business mainly focus on the distribution of electronic components. Line cards we deal with include Microchip,ALPS,ROHM,Xilinx,Pulse,ON,Everlight and Freescale. Main products comprise IC,Modules,Potentiometer,IC Socket,Relay,Connector.Our parts cover such applications as commercial,industrial, and automotives areas.

We are looking forward to setting up business relationship with you and hope to provide you with the best service and solution. Let us make a better world for our industry!



Contact us

Tel: +86-755-8981 8866 Fax: +86-755-8427 6832

Email & Skype: info@chipsmall.com Web: www.chipsmall.com

Address: A1208, Overseas Decoration Building, #122 Zhenhua RD., Futian, Shenzhen, China



1 2 3 4 5 6 7 8

F

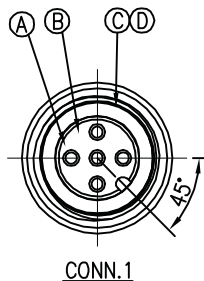
E

D

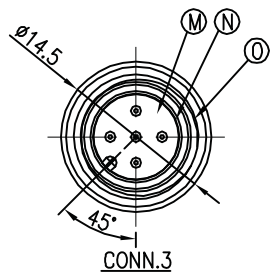
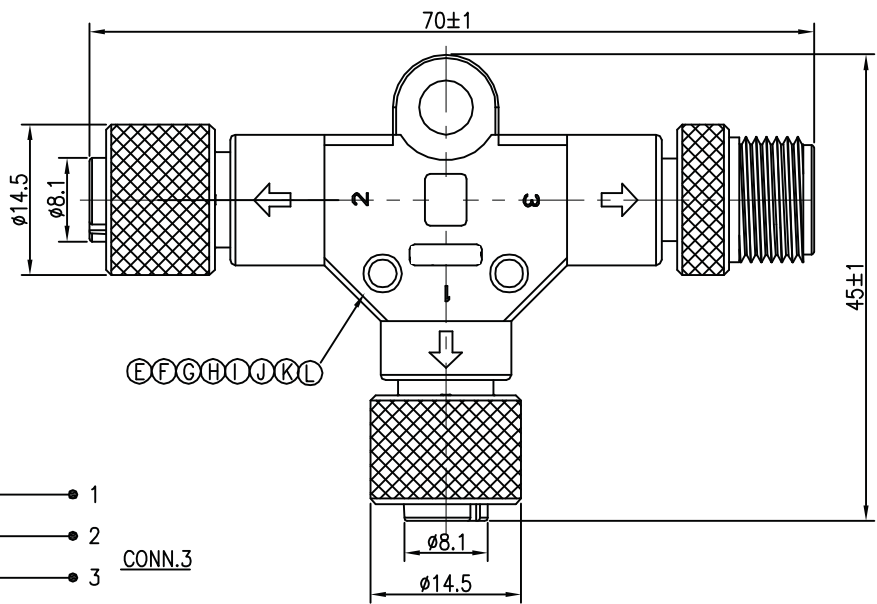
C

B

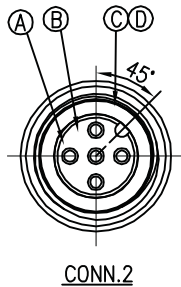
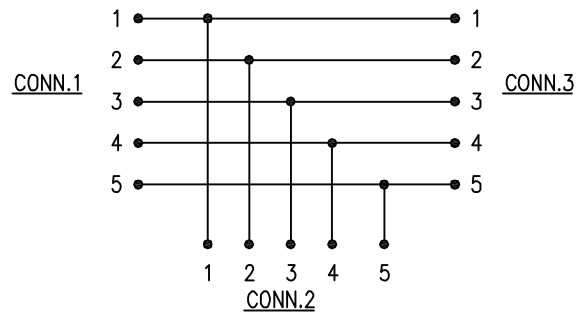
A



CONN.1



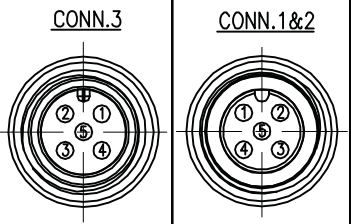
CONN.3



CONN.2

| | | | |
|------------|--------|--------|--------|
| BLUE | 5 | 5 | 5 |
| WHITE | 4 | 4 | 4 |
| BLACK | 3 | 3 | 3 |
| RED | 2 | 2 | 2 |
| YELLOW | 1 | 1 | 1 |
| WIRE COLOR | CONN.1 | CONN.2 | CONN.3 |

PIN OUT



PIN ASSIGNMENTS FRONT VIEW

NOTES:
 1. WATERPROOF RATE: IP67
 IP67: IMMERSED IN 1M WATER FOR 30 MINUTES
 2. ELECTRICAL CHARACTERISTICS
 TEMPERATURE RANGE: -40°C TO +100°C
 RATING: 60V AC/DC 5A
 DIELECTRIC WITHSTANDING VOLTAGE: 500V AC FOR ONE MINUTE

| | | | | |
|----|------------------|-----|-----------------|--------------------------------------|
| O | BODY | 1 | TPU(1164D) | BLACK |
| N | MALE PIN | 5 | BRASS | 6u" GOLD PLATING OVER NICKEL PLATING |
| M | MALE SCREW NUT | 1 | BRASS | NICKEL PLATING 100u" |
| L | INNER MOLD | 1 | TPU | NATURAL |
| K | OVER MOLD | 1 | TPU | BLACK |
| J | ACETATE CLOTH | 1 | W10 *0.18T | BLACK |
| I | WIRE | 3 | UL1007 24AWG | BLUE |
| H | WIRE | 3 | UL1007 24AWG | WHITE |
| G | WIRE | 3 | UL1007 24AWG | BLACK |
| F | WIRE | 3 | UL1007 24AWG | RED |
| E | WIRE | 3 | UL1007 24AWG | YELLOW |
| D | O-RING | 2 | VITON | RED |
| C | FEMALE SCREW NUT | 2 | BRASS | NICKEL PLATING 100u" |
| B | FEMALE PIN | 10 | Phosphor Bronze | 6u" GOLD PLATING OVER NICKEL PLATING |
| A | BODY | 2 | TPU(1164D) | BLACK |
| NO | DESCRIPTION | QTY | MATERIAL | PLATING & COLOR |

UNLESS OTHERWISE SPECIFIED TOLERANCES

CnC Tech, LLC

| | | | | | |
|----------------------|---------|-------|------------------------|-----------|---------------|
| DECIMALS: | ANGLES: | TITLE | M12 T-ADAPTOR 5PIN(5A) | | |
| X :±0.5 | X :±2° | DWN | Shawn | PART NO. | 500-303T-W05 |
| XX :±0.3 | XX :±1' | CHKD | JF | SCALE 2:1 | UNIT: mm |
| XX.XX :±0.2 | | APVD | Quan | SIZE: A3 | SHEET: 1 OF 1 |
| REV: B | | | | | |
| CUSTOMER COPY | | | | | |

1 2 3 4 5 6 7 8