



Chipsmall Limited consists of a professional team with an average of over 10 year of expertise in the distribution of electronic components. Based in Hongkong, we have already established firm and mutual-benefit business relationships with customers from,Europe,America and south Asia,supplying obsolete and hard-to-find components to meet their specific needs.

With the principle of "Quality Parts,Customers Priority,Honest Operation,and Considerate Service",our business mainly focus on the distribution of electronic components. Line cards we deal with include Microchip,ALPS,ROHM,Xilinx,Pulse,ON,Everlight and Freescale. Main products comprise IC,Modules,Potentiometer,IC Socket,Relay,Connector.Our parts cover such applications as commercial,industrial, and automotives areas.

We are looking forward to setting up business relationship with you and hope to provide you with the best service and solution. Let us make a better world for our industry!



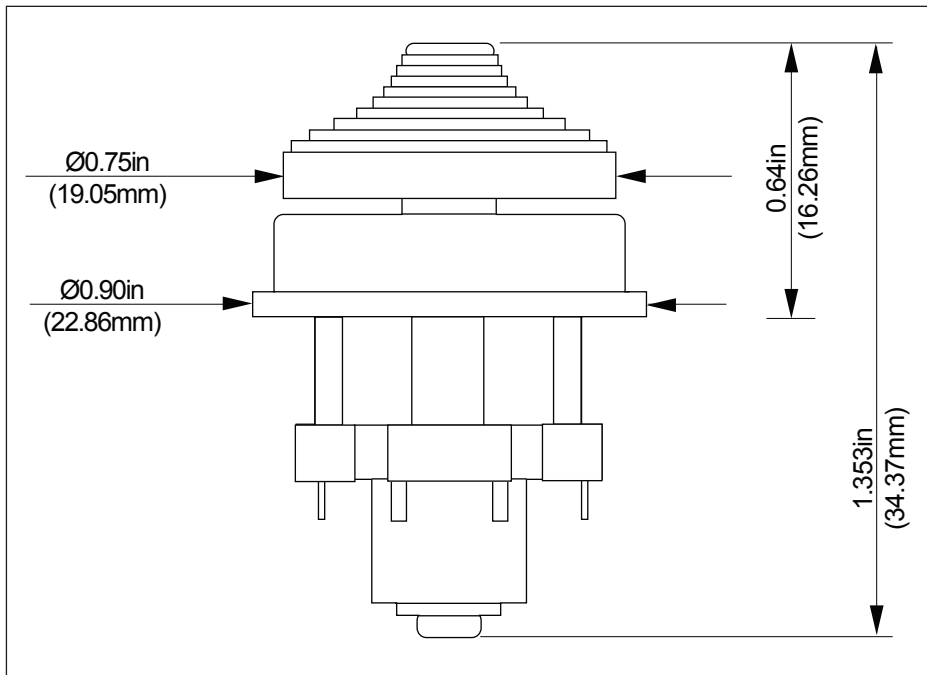
Contact us

Tel: +86-755-8981 8866 Fax: +86-755-8427 6832

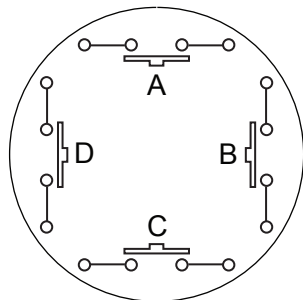
Email & Skype: info@chipsmall.com Web: www.chipsmall.com

Address: A1208, Overseas Decoration Building, #122 Zhenhua RD., Futian, Shenzhen, China

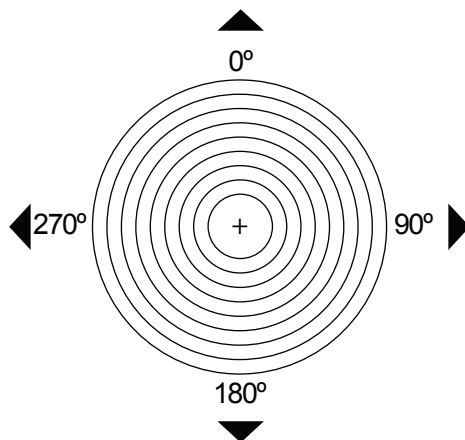




Bottom Terminal View



Top Actuator View



4-WAY MOMENTARY TOGGLE ACTION WITH OPERATING POSITIONS EVERY 90°

SPECIFICATIONS

ELECTRICAL

CIRCUITS AVAILABLE	SPST, 4 toggle positions
SWITCHING CAPACITIES	1 to 50mA, 5 to 24VDC (resistive load)
ELECTRICAL LIFE	1,000,000 operations min @ 100gF 300,000 operations min @ 150gF 100,000 operations min @ 260gF

CONSTRUCTION Thermoplastic - black

RoHS compliant



P/N	500-526	REV A
DESCRIPTION	4-Way Hat	
PROPRIETARY AND CONFIDENTIAL THE INFORMATION CONTAINED IN THIS DRAWING IS THE SOLE PROPERTY OF CH PRODUCTS. ANY REPRODUCTION IN PART OR AS WHOLE WITHOUT THE WRITTEN PERMISSION OF CH PRODUCTS IS PROHIBITED.		