



Chipsmall Limited consists of a professional team with an average of over 10 year of expertise in the distribution of electronic components. Based in Hongkong, we have already established firm and mutual-benefit business relationships with customers from,Europe,America and south Asia,supplying obsolete and hard-to-find components to meet their specific needs.

With the principle of “Quality Parts,Customers Priority,Honest Operation,and Considerate Service”,our business mainly focus on the distribution of electronic components. Line cards we deal with include Microchip,ALPS,ROHM,Xilinx,Pulse,ON,Everlight and Freescale. Main products comprise IC,Modules,Potentiometer,IC Socket,Relay,Connector.Our parts cover such applications as commercial,industrial, and automotives areas.

We are looking forward to setting up business relationship with you and hope to provide you with the best service and solution. Let us make a better world for our industry!



Contact us

Tel: +86-755-8981 8866 Fax: +86-755-8427 6832

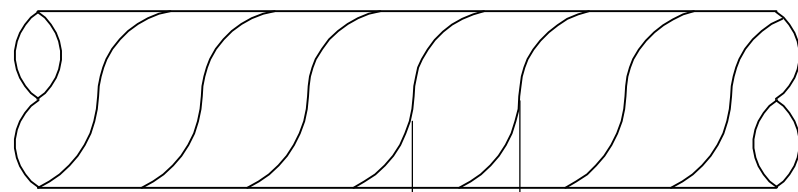
Email & Skype: info@chipsmall.com Web: www.chipsmall.com

Address: A1208, Overseas Decoration Building, #122 Zhenhua RD., Futian, Shenzhen, China

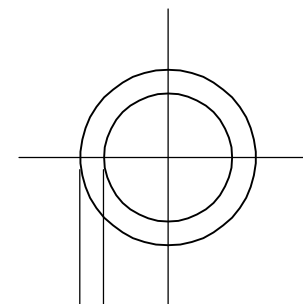


THIS DRAWING IS UNPUBLISHED. RELEASED FOR PUBLICATION
 © COPYRIGHT - BY TYCO ELECTRONICS CORPORATION. ALL RIGHTS RESERVED.

| LOC | DIST | REVISIONS | | | | | |
|-----|------|-----------|-----|---------------|---------|-----|------|
| | | P | LTR | DESCRIPTION | DATE | DWN | APVD |
| CM | 0 | | AK2 | ECO-06-017742 | 26JUL06 | BSV | DC |



5.54±0.38
[.218±.015]



0.79±0.15
[.031±.006]

1. MAX BUNDLE RANGE: 1.60[.063] TO 12.70[.500]
2. WEIGHT PER 304.8M[1000ft]: 1.81kg[4lb].
3. OVERALL LENGTH TO BE WITHIN +1 Ft -0 Ft.
4. ONE SPLICE PER BOX IS ALLOWABLE.

| SUBSIDIARY USE ONLY | LENGTH | COLOR | PART NUMBER |
|---------------------|---------------------|---------|-------------|
| | 76.2M [250 FT] BOX | NATURAL | 500000-4 |
| | 30.48M [100 FT] BOX | NATURAL | 500000-2 |
| | 15.24M [50 FT] BOX | NATURAL | 500000-1 |

| | | | | | | | |
|--|--|------------------------------|---|-----------------|--------------------|------------------------|--------------------|
| THIS DRAWING IS A CONTROLLED DOCUMENT. | | DWN W.CHANDLER 14DEC93 | Tyco Electronics Corporation Harrisburg, PA 17105-3608 | | | | |
| DIMENSIONS: mm [INCHES] | | CHK W.CHANDLER 05JAN94 | | | | | |
| TOLERANCES UNLESS OTHERWISE SPECIFIED: | | APVD D. KAAT 05JAN94 | NAME SPIRAP, POLYETHYLENE, 1/8 INCH DIAMETER | | | | |
| | | PRODUCT SPEC - | APPLICATION SPEC - | | | | |
| MATERIAL POLYETHYLENE | | FINISH - | WEIGHT - | SIZE A3 | CAGE CODE 00779 | DRAWING NO C-500000 | RESTRICTED TO - |
| CUSTOMER DRAWING | | | SCALE 4:1 | SHEET 1 OF 1 | REV AK2 | | |