



Chipsmall Limited consists of a professional team with an average of over 10 year of expertise in the distribution of electronic components. Based in Hongkong, we have already established firm and mutual-benefit business relationships with customers from,Europe,America and south Asia,supplying obsolete and hard-to-find components to meet their specific needs.

With the principle of “Quality Parts,Customers Priority,Honest Operation,and Considerate Service”,our business mainly focus on the distribution of electronic components. Line cards we deal with include Microchip,ALPS,ROHM,Xilinx,Pulse,ON,Everlight and Freescale. Main products comprise IC,Modules,Potentiometer,IC Socket,Relay,Connector.Our parts cover such applications as commercial,industrial, and automotives areas.

We are looking forward to setting up business relationship with you and hope to provide you with the best service and solution. Let us make a better world for our industry!



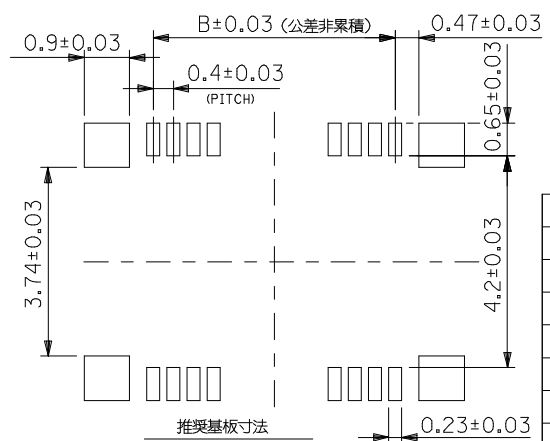
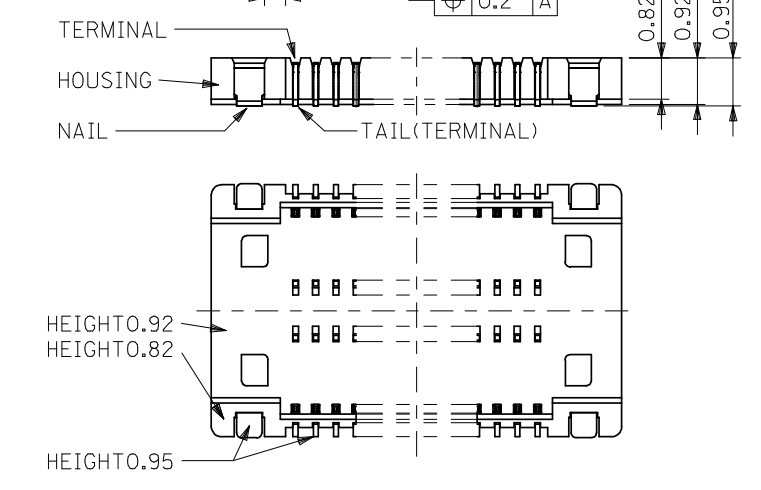
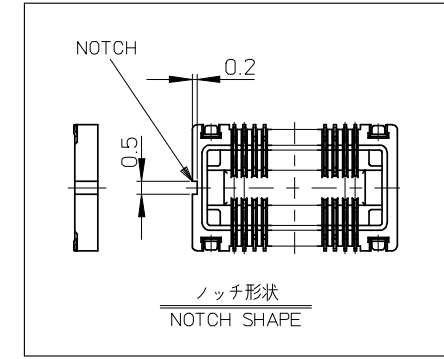
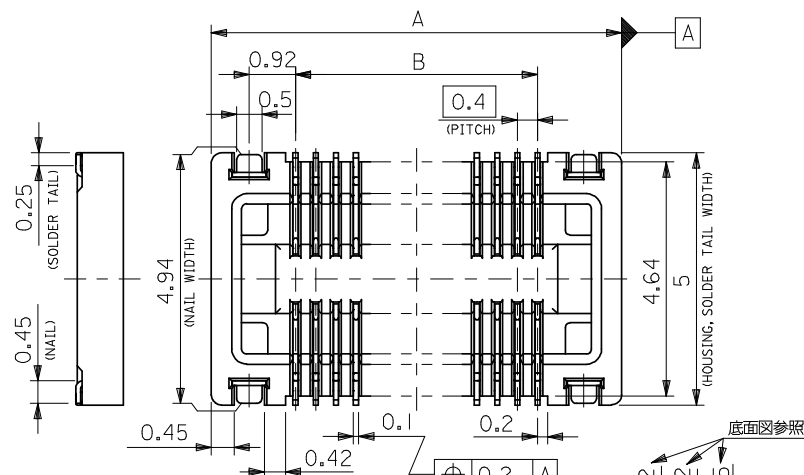
## Contact us

Tel: +86-755-8981 8866 Fax: +86-755-8427 6832

Email & Skype: info@chipsmall.com Web: www.chipsmall.com

Address: A1208, Overseas Decoration Building, #122 Zhenhua RD., Futian, Shenzhen, China

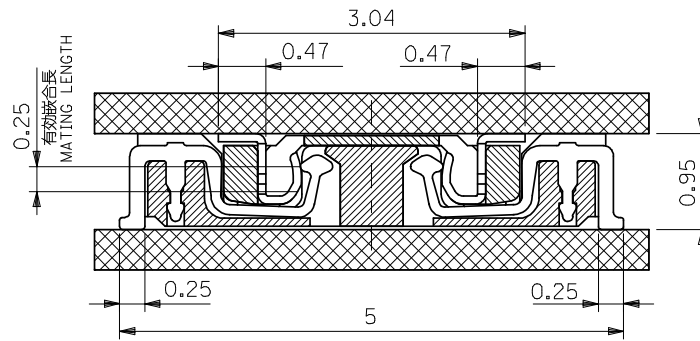




- 注記 NOTES
- 材質 MATERIAL  
ハウジング : 液晶ポリマー-UL94V-0  
HOUSING : LIQUID CRYSTAL POLYMER [LCP] UL94V-0  
ターミナル : 銅合金  
TERMINAL : COPPER ALLOY  
ネール : 銅合金  
NAIL : COPPER ALLOY
  - メッキ仕様 PLATING  
接点部 : 金メッキ 0.1μm  
CONTACT AREA : GOLD PLATING 0.1μm  
半田付け部 : 金メッキ 0.1μm  
SOLDER TAIL AREA : GOLD PLATING 0.1μm  
下地メッキ : ニッケルメッキ 1.0μm  
UNDER PLATING : NICKEL PLATING 1.0μm  
ネール : 錫メッキ 1.0μm  
NAIL : TIN PLATING 1.0μm  
下地メッキ : ニッケルメッキ 0.5μm  
UNDER PLATING : NICKEL PLATING 0.5μm
  - テール及びネールの平坦度は 0.1 以下  
TAIL AND NAIL COPLANARITY : 0.1 MAX.
  - 嵌合相手 : 500027 シリズ  
MATE WITH : 500027 SERIES
  - 本製品は 500024-\*\*\*9 の鉛フリー品である。  
THIS PRODUCT IS LEAD FREE OF 50024-\*\*\*9

18.94	15.6	500024-8071	500024-8008	—#—	80
16.94	13.6	500024-7071	500024-7008	—#—	70
15.74	12.4	500024-6471	500024-6408	—#—	64
14.94	11.6	500024-6071	500024-6008	—#—	60
12.94	9.6	500024-5071	500024-5008	—#—	50
10.94	7.6	500024-4071	500024-4008	○	40
9.74	6.4	500024-3471	500024-3408	—#—	34
8.94	5.6	500024-3071	500024-3008	—#—	30
A	B	EMBOSSED TAPE PKG. ORDER No. オダー番号	MATERIAL No.	NOTCH	CIRCUIT

REVISED EC NO: J2009-0301 DRWN: MWABEI 2008/08/27 CHKD: THARUYAMA 2008/08/28 APPR: NUKITA 2008/08/28	GENERAL TOLERANCES (UNLESS SPECIFIED)		DIMENSION STYLE MM ONLY	SCALE ---	DESIGN UNITS METRIC	500024-***8	MODEL NO.
	10 UNDER	±0.2	DRAWN BY H. SHIMABUKUR	DATE '04/02/18	TITLE 0.4MM PITCH B/B CONN H=0.95 REC HSG ASSY -LEAD FREE-	MOLEX INCORPORATED	
	10 OVER 30 UNDER	±0.25	CHECKED BY K. TOJO	DATE '04/02/18			
	30 OVER	±0.3	APPROVED BY M. SASAO	DATE '04/02/18	MATERIAL NO. SEE TABLE	DOCUMENT NO. SD-500024-018	SHEET NO. 1 OF 2
REV	DESCRIPTION	ANGULAR ±3 ° DRAFT WHERE APPLICABLE MUST REMAIN WITHIN DIMENSIONS	SIZE A3	THIS DRAWING CONTAINS INFORMATION THAT IS PROPRIETARY TO MOLEX INCORPORATED AND SHOULD NOT BE USED WITHOUT WRITTEN PERMISSION			

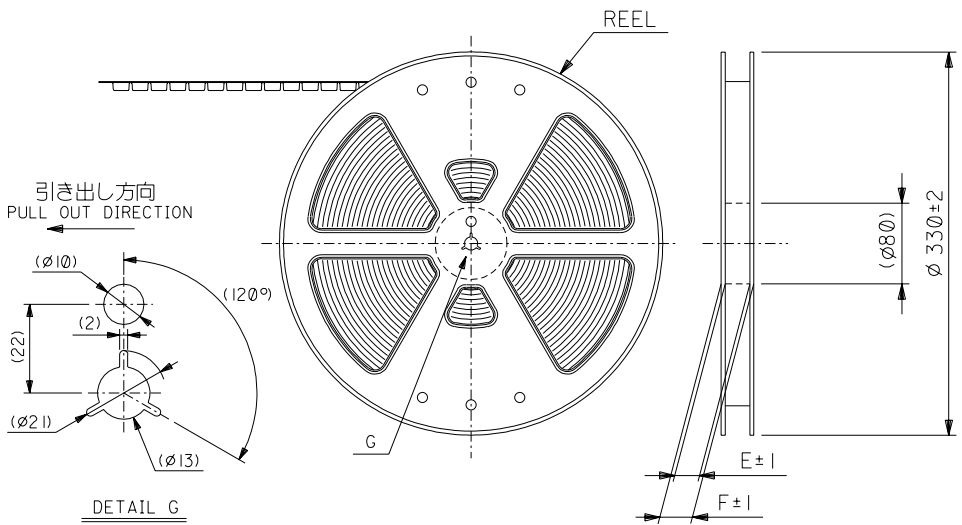


嵌合断面図 (参考)  
MATED DRAWING

500024-\*\*\*8 MODEL NO.

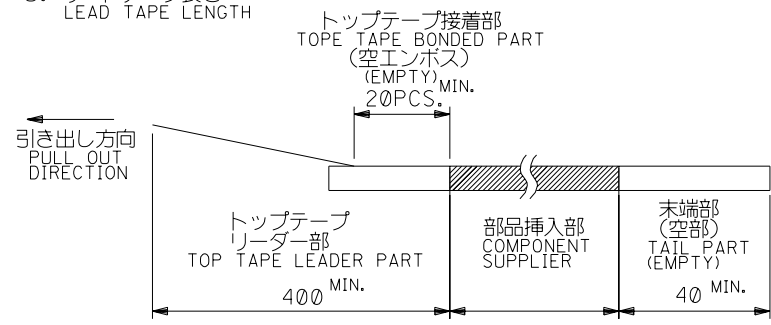
REVISED EC NO: J2009-0301 DRWN: MWABEI 2008/08/27 CHKD: THARUYAMA 2008/08/28 APPR: NUKITA 2008/08/28	GENERAL TOLERANCES (UNLESS SPECIFIED)		DIMENSION STYLE MM ONLY	SCALE ---	DESIGN UNITS METRIC	THIRD ANGLE PROJECTION
	10 UNDER	±0.2	DRAWN BY H. SHIMABUKUR	DATE '04/02/18	TITLE 0.4MM PITCH B/B CONN H=0.95 REC HSG ASSY -LEAD FREE-	
	10 OVER 30 UNDER	±0.25	CHECKED BY K. TOJO	DATE '04/02/18	MOLEX INCORPORATED	
	30 OVER	±0.3	APPROVED BY M. SASAO	DATE '04/02/18	DOCUMENT NO. SD-500024-018	SHEET NO. 2 OF 2
DESCRIPTION ANGULAR ±3 ° DRAFT WHERE APPLICABLE MUST REMAIN WITHIN DIMENSIONS	MATERIAL NO. SEE SHEET 1		THIS DRAWING CONTAINS INFORMATION THAT IS PROPRIETARY TO MOLEX INCORPORATED AND SHOULD NOT BE USED WITHOUT WRITTEN PERMISSION			

DWG. NO. SD-500024-019



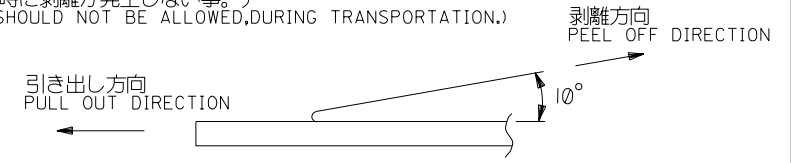
注)  
NOTES

- 製品番号500024-\*\*\*8 詳細寸法については、製品単体図面を参照下さい。  
IN THE PACKAGE PART NUMBER 500024-\*\*\*8 DETAILED DIMENSIONS, SEE SALES DRAWING FOR CONNECTOR.
- 梱包数量：2000個/リール  
NUMBER OF CONNECTORS：2000 PCS/REEL.
- リードテープ長さ  
LEAD TAPE LENGTH



- トップテープの剥離強度：(剥離方向は下図参照)  
PEELING OFF FORCE OF TOP TAPE (PELLING DIRECTION AS SHOWN IN FOLLOWING FIGURE.)  
0. 1~1. 3N {10~130gf}

尚、本規格値は、出荷時に適用。  
THIS REQUIREMENT SHOULD BE APPLIED AT SHIPMENT.  
(但し、輸送時に剥離が発生しない事。)  
(PEEL OFF SHOULD NOT BE ALLOWED, DURING TRANSPORTATION.)

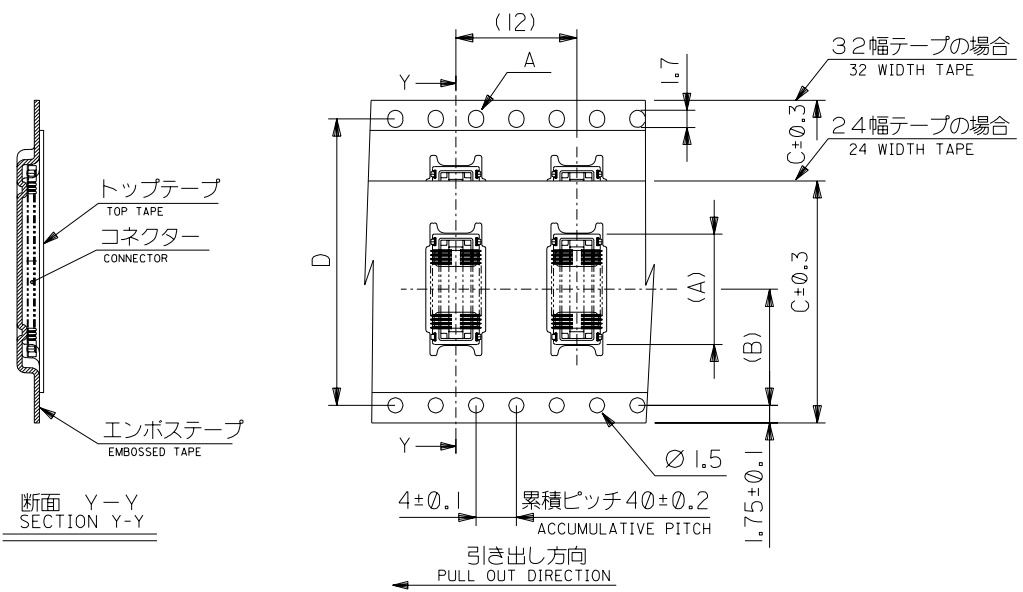


- 材料  
MATERIAL  
キャリアテープ：ポリプロピレン (PP)  
CARRIER TAPE: POLYPROPYLENE (PP)  
トップテープ：PET, PE, PEF  
TOP TAPE: PET, PE, PEF  
リール：ポリスチレン  
REEL: POLYSTYRENE
- 本製品は 500024-\*\*\*01 の鉛フリー品である。  
THIS PRODUCT IS LEAD FREE OF 500024-\*\*\*01

DO NOT SCALE DRAWING

EC NO. DRWN: CHK: APPR:		EC NO. DRWN: CHK: APPR:		EC NO. DRWN: CHK: APPR:		EC NO. DRWN: CHK: APPR:		EC NO. DRWN: CHK: APPR:		500024-***71   MODEL NO. DIMENSIONS: <input type="checkbox"/> mm <input type="checkbox"/> INCH <input checked="" type="checkbox"/> mm ONLY SHT REV REVISION ON CAD ONLY			
EC NO. J2004-2492 04/02/18 DRWN: H. SHIMABUKURO CHK: K. TOJO APPR: MSASAO		RELEASED EC NO. J2004-2492 04/02/18 DRWN: H. SHIMABUKURO CHK: K. TOJO APPR: MSASAO		MATERIAL 材料 注記参照 SEE NOTES		GENERAL TOLERANCES: (UNLESS SPECIFIED) 一般公差		SCALE NONE <input checked="" type="checkbox"/> mm <input type="checkbox"/> INCH		DESIGN UNITS <input checked="" type="checkbox"/> mm <input type="checkbox"/> INCH		THIRD ANGLE PROJECTION	
WIRE RANGE 適用電線範囲		FINISH 仕上げ		WIRE RANGE 適用電線範囲		FINISH 仕上げ		WIRE RANGE 適用電線範囲		FINISH 仕上げ		TITLE: 500024-***8 -LEAD FREE-TAPING PACKAGE	
WIRE RANGE 適用電線範囲		FINISH 仕上げ		WIRE RANGE 適用電線範囲		FINISH 仕上げ		WIRE RANGE 適用電線範囲		FINISH 仕上げ		MOLEX MOLEX INCORPORATED	
INS. RANGE 被覆外径		INS. RANGE 被覆外径		INS. RANGE 被覆外径		INS. RANGE 被覆外径		INS. RANGE 被覆外径		INS. RANGE 被覆外径		CAD FILENAME SD-500024-019.S01	
INS. RANGE 被覆外径		INS. RANGE 被覆外径		INS. RANGE 被覆外径		INS. RANGE 被覆外径		INS. RANGE 被覆外径		INS. RANGE 被覆外径		MATERIAL NO. SEE CHART	
INS. RANGE 被覆外径		INS. RANGE 被覆外径		INS. RANGE 被覆外径		INS. RANGE 被覆外径		INS. RANGE 被覆外径		INS. RANGE 被覆外径		DRAWING NO. SD-500024-019	
INS. RANGE 被覆外径		INS. RANGE 被覆外径		INS. RANGE 被覆外径		INS. RANGE 被覆外径		INS. RANGE 被覆外径		INS. RANGE 被覆外径		SHEET NO. 1 OF 2	
INS. RANGE 被覆外径		INS. RANGE 被覆外径		INS. RANGE 被覆外径		INS. RANGE 被覆外径		INS. RANGE 被覆外径		INS. RANGE 被覆外径		THIS DRAWING CONTAINS INFORMATION THAT IS PROPRIETARY TO MOLEX INCORPORATED AND SHOULD NOT BE USED WITHOUT WRITTEN PERMISSION.	
INS. RANGE 被覆外径		INS. RANGE 被覆外径		INS. RANGE 被覆外径		INS. RANGE 被覆外径		INS. RANGE 被覆外径		INS. RANGE 被覆外径		SIZE B	

SD-500024-019.S01



18.94	14.2	32	28.4	33.4	37.4	500024-8008	500024-8071	80
16.94	14.2		28.4			500024-7008	500024-7071	70
15.74	14.2		28.4			500024-6408	500024-6471	64
14.94	14.2		28.4			500024-6008	500024-6071	60
12.94	11.5	24	—#—	25.4	29.4	500024-5008	500024-5071	50
10.94	11.5		—#—			500024-4008	500024-4071	40
9.74	11.5		—#—			500024-3408	500024-3471	34
8.94	11.5		—#—			500024-3008	500024-3071	30
(A)	(B)	C	D	E	F	CONNECTOR	MATERIAL No.	CIRCUIT

EC NO. DRWN: CHK: APPR:		EC NO. DRWN: CHK: APPR:		EC NO. DRWN: CHK: APPR:		EC NO. DRWN: CHK: APPR:		EC NO. DRWN: CHK: APPR:		EC NO. DRWN: CHK: APPR: SEE SHEET 1 OF 2		MATERIAL 材料 注記参照 SEE NOTES		GENERAL TOLERANCES: (UNLESS SPECIFIED) 一般公差		SCALE NONE		DESIGN UNITS <input checked="" type="checkbox"/> mm <input type="checkbox"/> INCH		MODEL NO. 500024-***71		DIMENSIONS: <input type="checkbox"/> mm <input type="checkbox"/> INCH <input checked="" type="checkbox"/> mm ONLY		SHT REV					
FINISH 仕上げ 注記参照 SEE NOTES												10 UNDER 未滿		±0.2		DRAWN BY & DATE H.SHIMABUKURO 04/2/17		TITLE: 500024-***8 -LEAD FREE- TAPING PACKAGE						REVISION ON CAD ONLY					
WIRE RANGE 適用電線範囲												10 OVER 30 UNDER 以上 未滿		±0.25		CHECKED BY & DATE K.TOJO 04/2/17													
INS. RANGE 被覆外径												30 OVER 以上		±0.3		APPROVED BY & DATE M. Saito 04/2/17		MATERIAL NO. SEE CHART		DRAWING NO. SD-500024-019		SHEET NO. 2							
												ANGLE 角度		*3°		THIS DRAWING CONTAINS INFORMATION THAT IS PROPRIETARY TO MOLEX INCORPORATED AND SHOULD NOT BE USED WITHOUT WRITTEN PERMISSION.												SIZE B	