



Chipsmall Limited consists of a professional team with an average of over 10 year of expertise in the distribution of electronic components. Based in Hongkong, we have already established firm and mutual-benefit business relationships with customers from,Europe,America and south Asia,supplying obsolete and hard-to-find components to meet their specific needs.

With the principle of “Quality Parts,Customers Priority,Honest Operation,and Considerate Service”,our business mainly focus on the distribution of electronic components. Line cards we deal with include Microchip,ALPS,ROHM,Xilinx,Pulse,ON,Everlight and Freescale. Main products comprise IC,Modules,Potentiometer,IC Socket,Relay,Connector.Our parts cover such applications as commercial,industrial, and automotives areas.

We are looking forward to setting up business relationship with you and hope to provide you with the best service and solution. Let us make a better world for our industry!



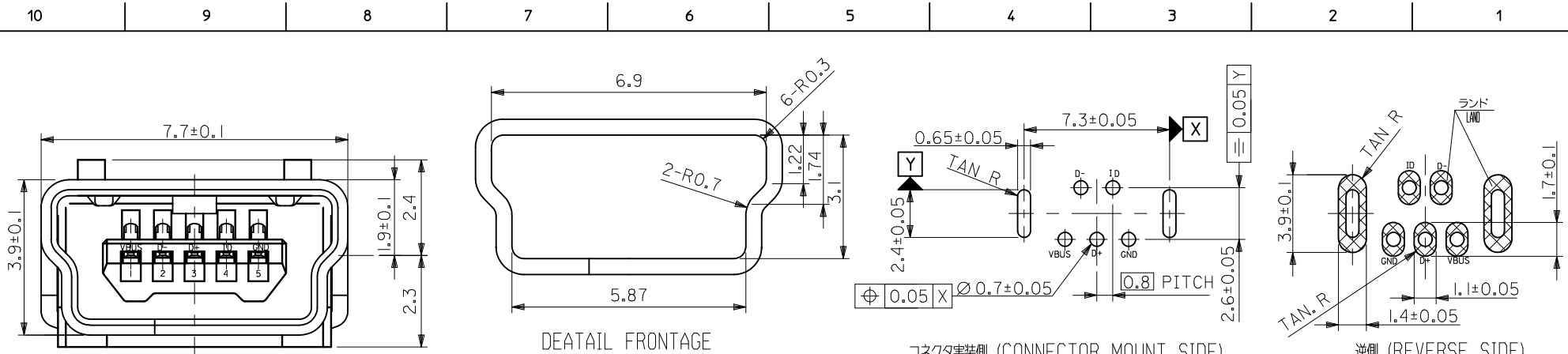
## Contact us

Tel: +86-755-8981 8866 Fax: +86-755-8427 6832

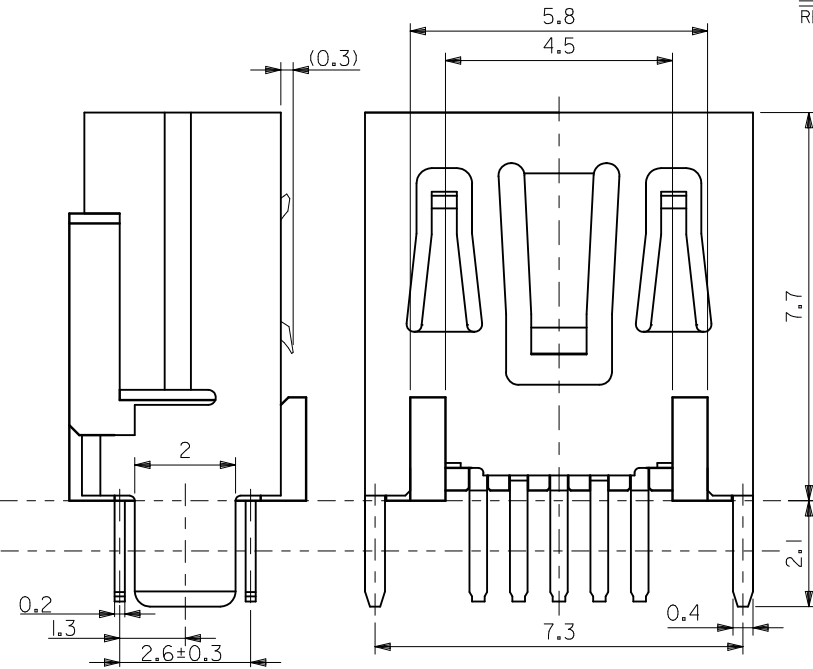
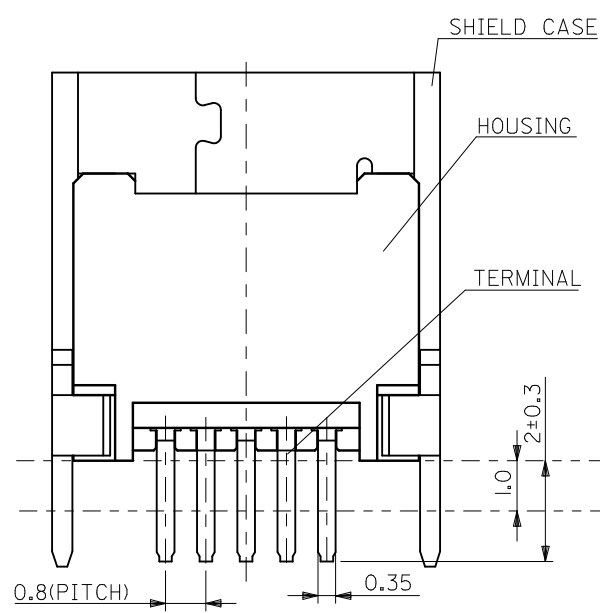
Email & Skype: info@chipsmall.com Web: www.chipsmall.com

Address: A1208, Overseas Decoration Building, #122 Zhenhua RD., Futian, Shenzhen, China





コネクタ実装側 (CONNECTOR MOUNT SIDE) 推奨基板寸法  
逆側 (REVERSE SIDE) 推奨基板寸法  
RECOMMENDED P.C.B. PATTERN LAYOUT



- 注記 NOTES
- 材質 MATERIAL  
 ハウジング: ポリアミド, 黒色, UL94V-0  
 HOUSING: POLYAMIDE, BLACK, UL94V-0  
 ターミナル: 銅合金 (t=0.2)  
 TERMINAL: COPPER ALLOY (t=0.2)  
 シールド ケース: 銅合金 (t=0.4)  
 SHIELD CASE: COPPER ALLOY (t=0.4)
  - メッキ仕様 PLATING  
 ターミナル TERMINAL  
 接点部: 金メッキ CONTACT AREA: GOLD  
 半田付け部: 錫メッキ SOLDER TAIL AREA: TIN  
 下地部: ニッケルメッキ UNDER PLATING: NICKEL  
 シールド ケース: 錫メッキ SHIELD CASE: TIN  
 下地部: ニッケルメッキ UNDER PLATING: NICKEL
  - ELV AND RoHS COMPLIANT

500075-1517
TRAY PKG.
ORDER No./オーダー番号

REVISED EC NO.: J2011-1372 DRWN: KADONO CHKD: CHIKANO APPR: MYAGI	2011/04/18	2011/04/18	2011/04/18	DESCRIPTION REV	GENERAL TOLERANCES (UNLESS SPECIFIED)		DIMENSION STYLE MM ONLY		SCALE 10:1	DESIGN UNITS METRIC	THIRD ANGLE PROJECTION <b>USB SERIES MINI-B STRAIGHT TYPE 2 REC ASSY -LEAD FREE-</b> <b>MOLEX INCORPORATED</b> DOCUMENT NO. SD-500075-008 SHEET NO. 1 OF 1
	10 UNDER	±0.2	DRAWN BY MNABE I		DATE '04/08/30	TITLE					
	10 OVER 30 UNDER	±0.25	CHECKED BY KTOJO		DATE '04/08/30						
	30 OVER	±0.3	APPROVED BY NUKITA		DATE '04/08/30						
ANGULAR ±3 °					DRAFT WHERE APPLICABLE MUST REMAIN WITHIN DIMENSIONS		MATERIAL NO. SEE TABLE				
							SIZE A3		THIS DRAWING CONTAINS INFORMATION THAT IS PROPRIETARY TO MOLEX INCORPORATED AND SHOULD NOT BE USED WITHOUT WRITTEN PERMISSION		