



Chipsmall Limited consists of a professional team with an average of over 10 year of expertise in the distribution of electronic components. Based in Hongkong, we have already established firm and mutual-benefit business relationships with customers from,Europe,America and south Asia,supplying obsolete and hard-to-find components to meet their specific needs.

With the principle of “Quality Parts,Customers Priority,Honest Operation,and Considerate Service”,our business mainly focus on the distribution of electronic components. Line cards we deal with include Microchip,ALPS,ROHM,Xilinx,Pulse,ON,Everlight and Freescale. Main products comprise IC,Modules,Potentiometer,IC Socket,Relay,Connector.Our parts cover such applications as commercial,industrial, and automotives areas.

We are looking forward to setting up business relationship with you and hope to provide you with the best service and solution. Let us make a better world for our industry!



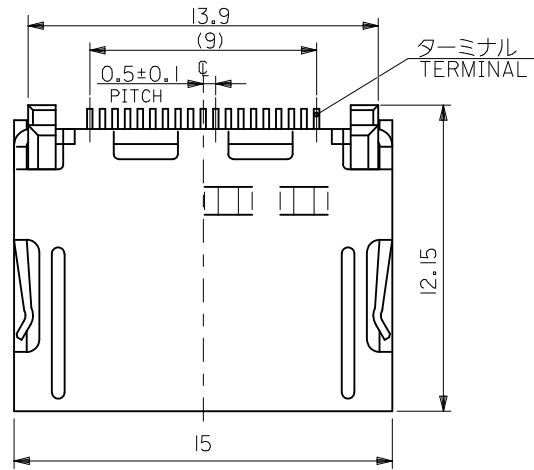
Contact us

Tel: +86-755-8981 8866 Fax: +86-755-8427 6832

Email & Skype: info@chipsmall.com Web: www.chipsmall.com

Address: A1208, Overseas Decoration Building, #122 Zhenhua RD., Futian, Shenzhen, China



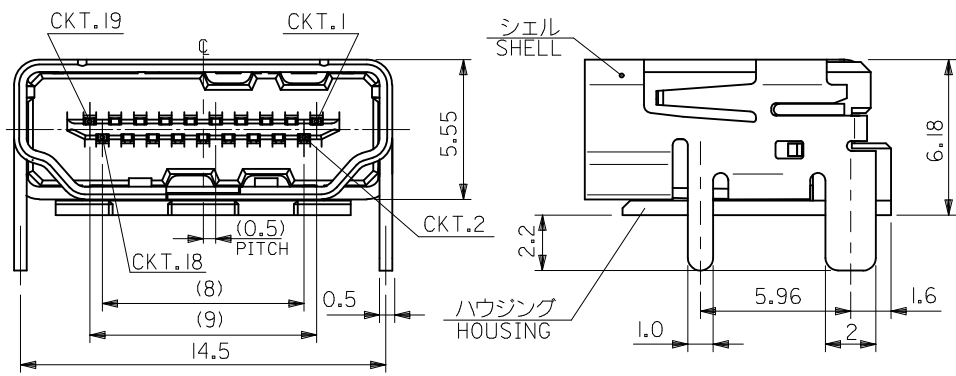


注記
NOTE

- 材質
MATERIAL
ハウジング: ガラス入り耐熱樹脂
HOUSING: GLASS FILLED HEAT-RESISTED RESIN, UL94V-0
ターミナル: 銅合金
TERMINAL: COPPER ALLOY
シェル: 銅合金
SHELL: COPPER ALLOY
- めっき仕様
PLATING
ターミナル: <接点部>金めっき 0.76μm以上
TERMINAL <CONTACT AREA>: (1) GOLD(Au) 0.76 MICROMETER MINIMUM.
(2) GOLD FLASH OVER Pd/Ni

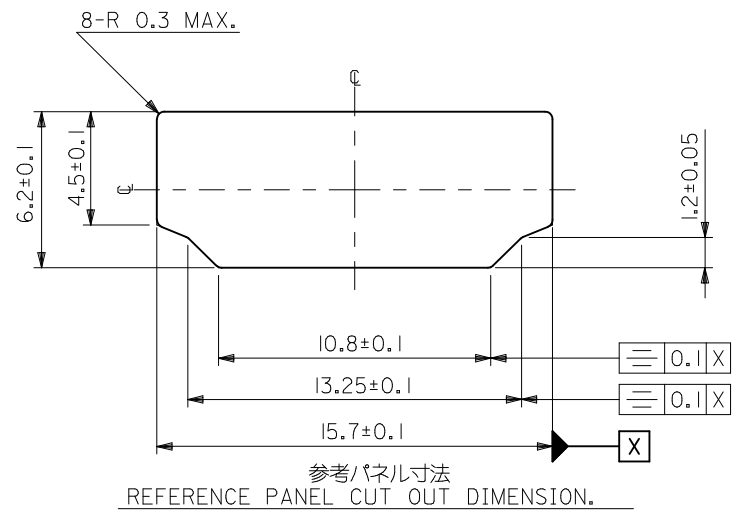
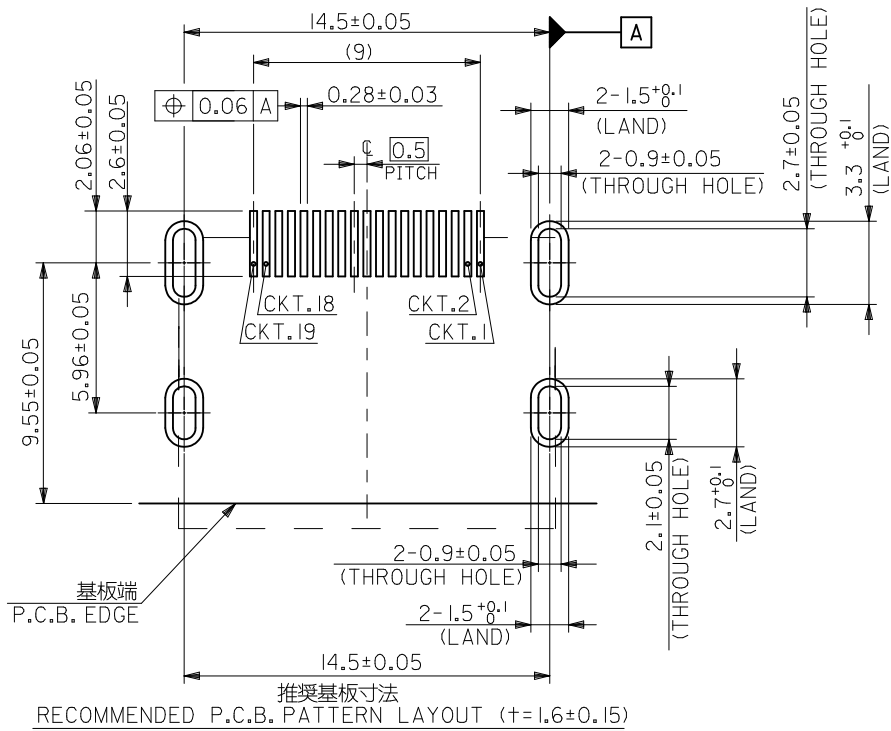
<半田付け部>錫めっき 1.0μm以上
<SOLDER TAIL AREA> TIN(Sn) 1.0 MICROMETER MINIMUM.
<下地>ニッケルめっき 2μm以上
<UNDER-PLATING> NICKEL(Ni) 2 MICROMETER MINIMUM.

シェル: 錫めっき 1.0μm以上
SHELL TIN(Sn) 1.0 MICROMETER MINIMUM.
下地ニッケルめっき 1.27μm以上
UNDER-PLATING NICKEL (Ni) 1.27 MICROMETER MINIMUM.
- テール部の平坦度: 0.1 MAXIMUM.
COPLANALITY OF TAIL: 0.1 MAXIMUM.

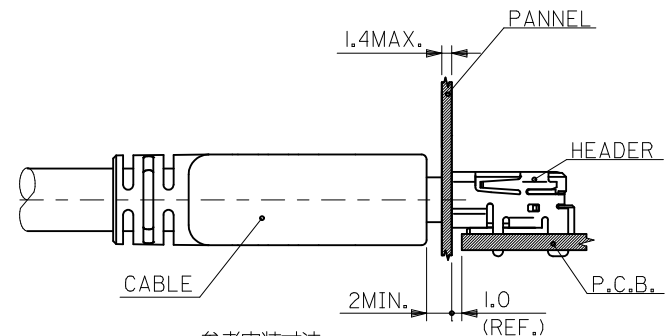


500254-1926	SEE NOTES 2(2)	19
500254-1927	SEE NOTES 2(1)	
EMBOSS PACKAGING		CIRCUITS
MATERIAL NO.	CONTACT AREA PLATING	

ADD NEW P/N EC NO: S2012-0578 DRWN: ZENG 2012/01/18 CHKD: JESSIECHUA 2012/03/15 APPR: NAGESHKN 2012/03/19	GENERAL TOLERANCES (UNLESS SPECIFIED)		DIMENSION STYLE MM ONLY		SCALE	DESIGN UNITS METRIC	THIRD ANGLE PROJECTION
	10 UNDER	±0.2	DRAWN BY K. TOYODA	DATE '04/03/26	TITLE HDMI RIGHT ANGLE HEADER ASSY -LEAD FREE-		
	10 OVER 30 UNDER	±0.25	CHECKED BY K. ASAKAWA	DATE '04/03/26	MOLEX INCORPORATED		
	30 OVER	±0.3	APPROVED BY S. ICHIKAWA	DATE '04/03/26	MATERIAL NO. SEE CHART	DOCUMENT NO. SD-500254-005	SHEET NO. 1 OF 3
REV C1	DESCRIPTION	ANGULAR ±3 ° DRAFT WHERE APPLICABLE MUST REMAIN WITHIN DIMENSIONS		THIS DRAWING CONTAINS INFORMATION THAT IS PROPRIETARY TO MOLEX INCORPORATED AND SHOULD NOT BE USED WITHOUT WRITTEN PERMISSION			



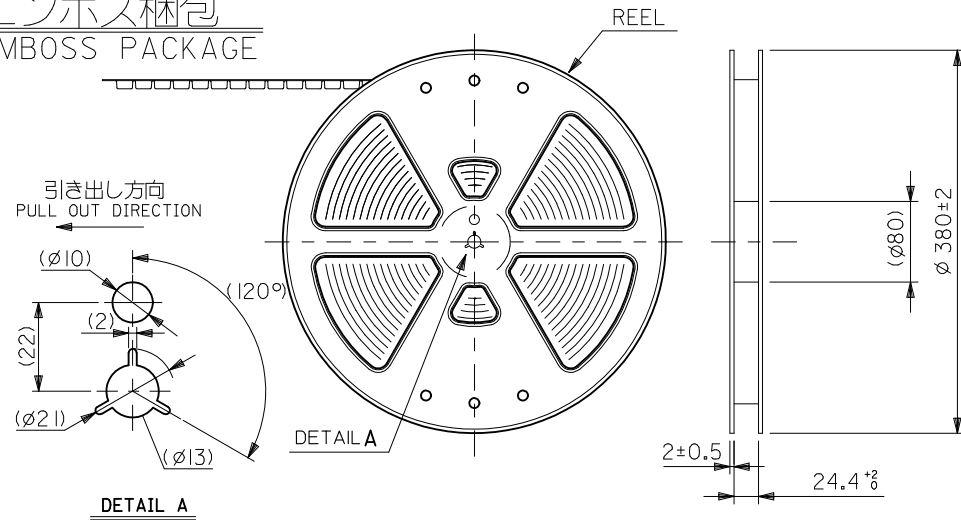
参考パネル寸法
REFERENCE PANEL CUT OUT DIMENSION.



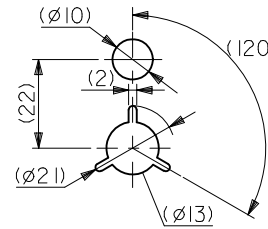
参考実装寸法
REFERENCE MOUNT DIMENSION.
(SCALE 2:1)

SEE SHEET1 EC NO: S2012-0578 DRWN: ZENG 2012/01/18 CHKD: JESSIECHUA 2012/03/15 APPR: NAGESHKN 2012/03/19	GENERAL TOLERANCES (UNLESS SPECIFIED)		DIMENSION STYLE MM ONLY	SCALE	DESIGN UNITS METRIC	THIRD ANGLE PROJECTION
	10 UNDER	±0.2	DRAWN BY K. TOYODA	DATE '04/03/26	TITLE HDMI RIGHT ANGLE HEADER ASSY -LEAD FREE-	
	10 OVER 30 UNDER	±0.25	CHECKED BY K. ASAKAWA	DATE '04/03/26	MOLEX INCORPORATED	
	30 OVER	±0.3	APPROVED BY S. ICHIKAWA	DATE '04/03/26	DOCUMENT NO. SD-500254-005	SHEET NO. 2 OF 3
C1	ANGULAR ±3 °	DRAFT WHERE APPLICABLE MUST REMAIN WITHIN DIMENSIONS	MATERIAL NO. SEE CHART	THIS DRAWING CONTAINS INFORMATION THAT IS PROPRIETARY TO MOLEX INCORPORATED AND SHOULD NOT BE USED WITHOUT WRITTEN PERMISSION		

エンボス梱包
EMBOSS PACKAGE



引き出し方向
PULL OUT DIRECTION



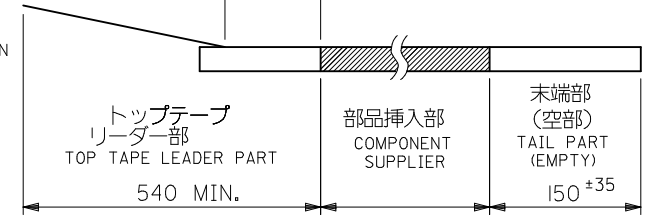
DETAIL A

NOTE

- 梱包数量: 500 個/リール
NUMBER OF CONNECTORS: 500 PCS/REEL
- リードテープ長さ
LEAD TAPE LENGTH

トップテープ接着部
TOP TAPE BONDED PART
(空エンボス)
(EMPTY)
20MIN.

引き出し方向
PULL OUT DIRECTION

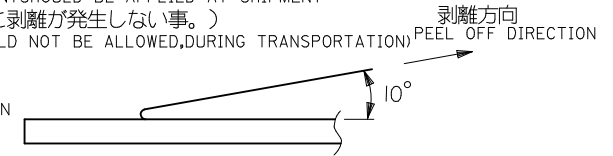


- トップテープの剥離強度: 0.1 □ 1.3N (10 □ 130gf)
(剥離方向は下図参照) キャリアテープ幅: 24 mm
PEEL-OFF FORCE OF TOP TAPE: 0.1 □ 1.3N (10 □ 130gf)
CARRIER TAPE WIDTH

(剥離方向は下図参照)
(PEELING DIRECTION AS SHOWN IN FOLLOWING FIG.)

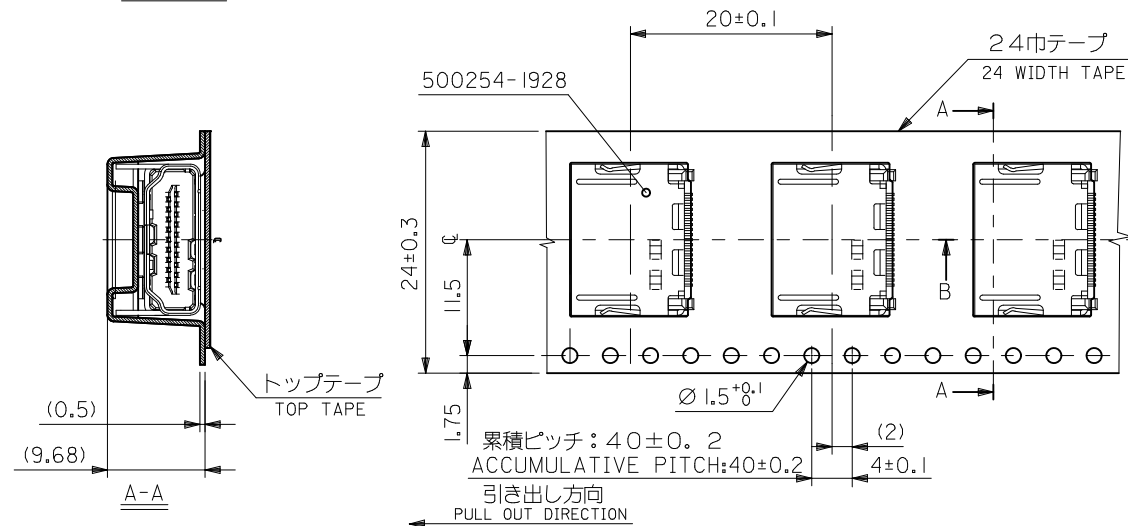
尚、本規格値は、出荷時に適用。
THIS REQUIREMENT SHOULD BE APPLIED AT SHIPMENT
(但し、輸送時に剥離が発生しない事。)
(PEEL OFF SHOULD NOT BE ALLOWED, DURING TRANSPORTATION)

引き出し方向
PULL OUT DIRECTION

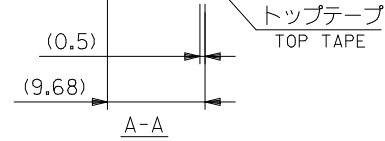


- 材料
MATERIAL

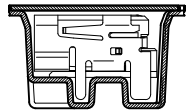
キャリアテープ: ポリプロピレン
CARRIER TAPE: POLYPROPYLENE
トップテープ: ポリエステル, ポリエチレン
TOP TAPE: POLYESTER, POLYETHYLENE
リール: ポリスチレン
REEL: POLYSTYRENE



エンボステープ内の製品の向き
DIRECTION OF CONNECTOR IN EMBOSS TAPE



A-A



B-B

500254-1926	
500254-1927	19
MATERIAL NO.	CIRCUITS

SEE SHEET 1 EC NO: S2012-0578 DRWN: ZENG 2012/01/18 CHKD: JESSIECHUA 2012/03/15 APPR: MAGESHKN 2012/03/19	DESCRIPTION REV	GENERAL TOLERANCES (UNLESS SPECIFIED)		DIMENSION STYLE MM ONLY		SCALE	DESIGN UNITS METRIC	THIRD ANGLE PROJECTION		
		10 UNDER	±0.2	DRAWN BY K. TOYODA	DATE '04/03/26	TITLE	HDMI RIGHT ANGLE HEADER ASSY -LEAD FREE-			
		10 OVER 30 UNDER	±0.25	CHECKED BY K. ASAKAWA	DATE '04/03/26	MOLEX INCORPORATED				
		30 OVER	±0.3	APPROVED BY S. ICHIKAWA	DATE '04/03/26					
ANGULAR ±3 °		DRAFT WHERE APPLICABLE MUST REMAIN WITHIN DIMENSIONS		MATERIAL NO. SEE CHART		DOCUMENT NO. SD-500254-005		SHEET NO. 3 OF 3		
THIS DRAWING CONTAINS INFORMATION THAT IS PROPRIETARY TO MOLEX INCORPORATED AND SHOULD NOT BE USED WITHOUT WRITTEN PERMISSION										