



Chipsmall Limited consists of a professional team with an average of over 10 year of expertise in the distribution of electronic components. Based in Hongkong, we have already established firm and mutual-benefit business relationships with customers from,Europe,America and south Asia,supplying obsolete and hard-to-find components to meet their specific needs.

With the principle of “Quality Parts,Customers Priority,Honest Operation,and Considerate Service”,our business mainly focus on the distribution of electronic components. Line cards we deal with include Microchip,ALPS,ROHM,Xilinx,Pulse,ON,Everlight and Freescale. Main products comprise IC,Modules,Potentiometer,IC Socket,Relay,Connector.Our parts cover such applications as commercial,industrial, and automotives areas.

We are looking forward to setting up business relationship with you and hope to provide you with the best service and solution. Let us make a better world for our industry!



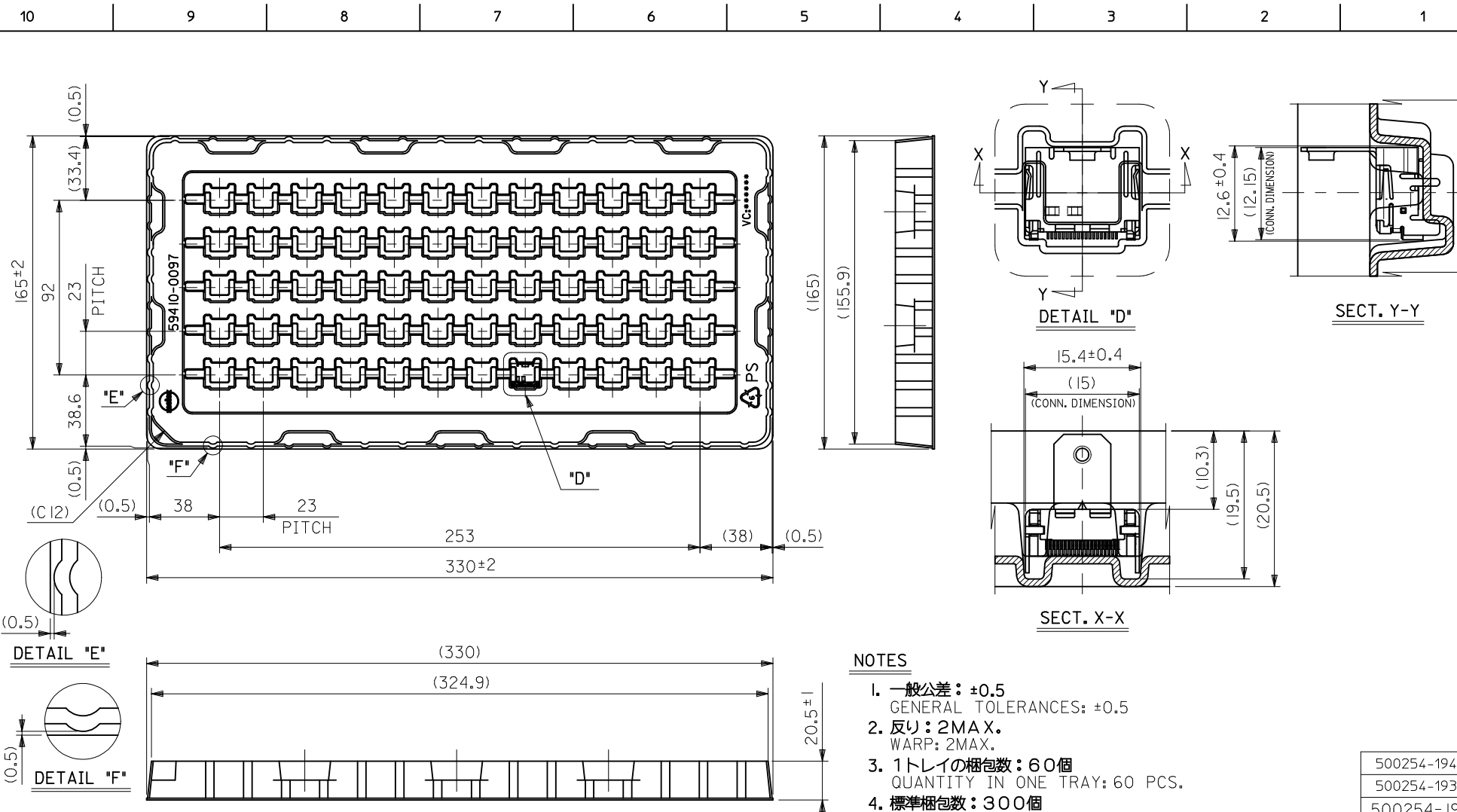
Contact us

Tel: +86-755-8981 8866 Fax: +86-755-8427 6832

Email & Skype: info@chipsmall.com Web: www.chipsmall.com

Address: A1208, Overseas Decoration Building, #122 Zhenhua RD., Futian, Shenzhen, China





NOTES

1. 一般公差：±0.5
GENERAL TOLERANCES: ±0.5
2. 反り：2MAX.
WARP: 2MAX.
3. 1トレイの梱包数：60個
QUANTITY IN ONE TRAY: 60 PCS.
4. 標準梱包数：300個
STANDARD PACKAGING QUANTITY: 300 PCS.
5. トレイは、180° 反転させ交互に重ねる。
TRAYS SHOULD BE PILED ALTERNATELY.

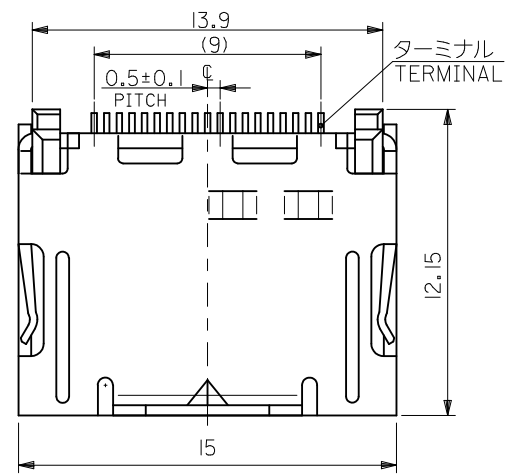
500254-1942
500254-1932
500254-1941
500254-1931
適用製品番号 APPLICABLE PART NO.

MATERIAL

POLYSTYRENE SHEET (t=1.0)
WHITE

ADD NEW P/N ECNO: S2012-0578 DRWN: ZENG 2012/03/01 CHKD: JESSIECHUA 2012/03/15 APPR: NAGESHKN 2012/03/19	GENERAL TOLERANCES (UNLESS SPECIFIED)		DIMENSION STYLE MM ONLY		SCALE	DESIGN UNITS METRIC	TRAY FOR HDMI CONN. R/A WITH FLANGE -LEAD FREE- MOLEX MOLEX INCORPORATED DOCUMENT NO. SD-500254-004 SHEET NO. 1 OF 1
	10 UNDER	± ---	DRAWN BY	DATE	TITLE		
	10 OVER 30 UNDER	± ---	T. HARUYAMA	'04/02/25	TRAY FOR HDMI CONN. R/A WITH FLANGE -LEAD FREE-		
	30 OVER	± ---	M. ENOMOTO	'04/02/25	MOLEX INCORPORATED		
REV: C2	DESCRIPTION	ANGULAR ± --- °	DRAFT WHERE APPLICABLE MUST REMAIN WITHIN DIMENSIONS		MATERIAL NO. 59410-0097	DOCUMENT NO. SD-500254-004	SHEET NO. 1 OF 1
THIS DRAWING CONTAINS INFORMATION THAT IS PROPRIETARY TO MOLEX INCORPORATED AND SHOULD NOT BE USED WITHOUT WRITTEN PERMISSION							

F



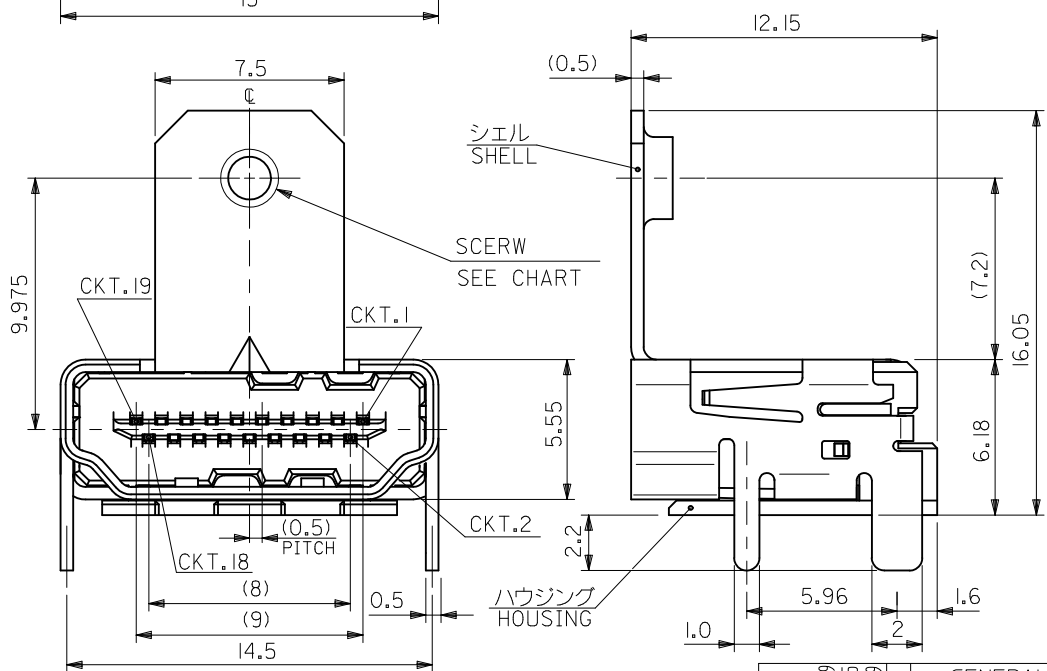
注記 1. 材質
 NOTE MATERIAL
 ハウジング: ガラス入り耐熱樹脂
 HOUSING: GLASS FULLED HEAT-RESISTED RESIN, UL94V-0
 ターミナル: 銅合金
 TERMINAL: COPPER ALLOY
 シェル: 銅合金
 SHELL: COPPER ALLOY

2. めっき仕様
 PLATING
 ターミナル: <接点部> 金めっき 0.76μm (A) : 0.76 MICROMETER MINIMUM.
 TERMINAL <CONTACT AREA> GOLD(Au) (A) : 0.76 MICROMETER MINIMUM.
 (B) : GOLD FLASH OVER Pd/Ni
 <半田付け部> 錫めっき 1.0μm (B) : 1.0 MICROMETER MINIMUM.
 <SOLDER TAIL AREA> TIN(Sn) 1.0 MICROMETER MINIMUM.
 <下地> ニッケルめっき 2.0μm (C) : 2.0 MICROMETER MINIMUM.
 <UNDER-PLATING> NICKEL(Ni) 2 MICROMETER MINIMUM.

シェル: 錫めっき 1.0μm (D) : 1.0 MICROMETER MINIMUM.
 SHELL: TIN(Sn) 1.0 MICROMETER MINIMUM.
 下地ニッケルめっき 1.27μm (E) : 1.27 MICROMETER MINIMUM.
 UNDER-PLATING NICKEL (Ni) 1.27 MICROMETER MINIMUM.

E

D



3. ネジ締めトルク
 SCREWING TORQUE

	推奨ネジ締めトルク RECOMMENDED SCREWING TORQUE	最大許容ネジ締めトルク TORQUE LIMIT	PLATING
500254-1931	0.343N-m {3.5kgf-cm} MAXIMUM.	0.392N-m {4.0kgf-cm} MAXIMUM.	2-(A)
500254-1941	0.294N-m {3.0kgf-cm} MAXIMUM.	0.343N-m {3.5kgf-cm} MAXIMUM.	
500254-1932	0.343N-m {3.5kgf-cm} MAXIMUM.	0.392N-m {4.0kgf-cm} MAXIMUM.	2-(B)
500254-1942	0.294N-m {3.0kgf-cm} MAXIMUM.	0.343N-m {3.5kgf-cm} MAXIMUM.	

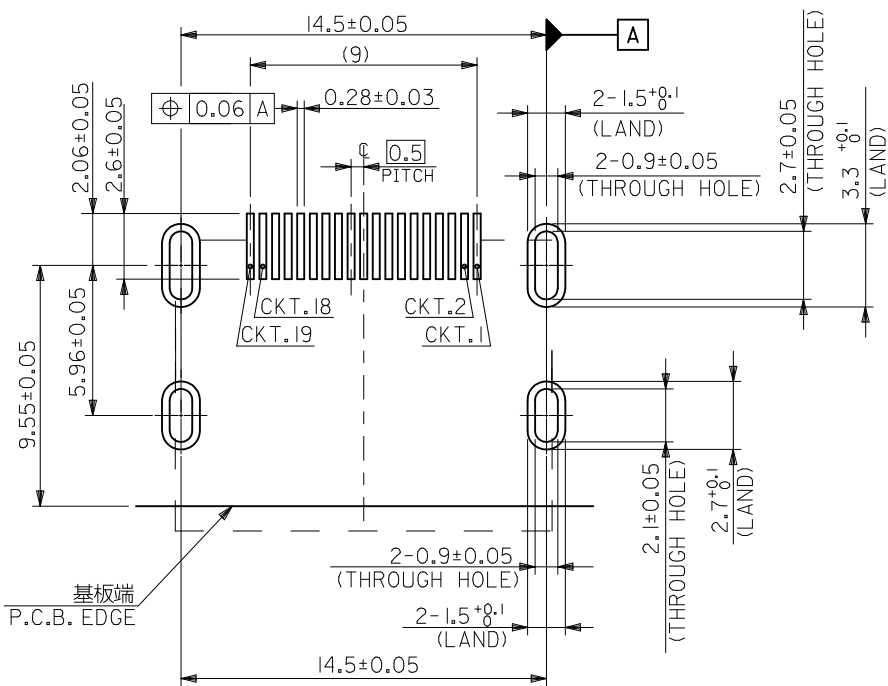
4. テール部の平坦度: 0.1 MAXIMUM.
 COPLANALITY OF TAIL: 0.1 MAXIMUM.

No.4-40UNC	500254-1942	19
M3x0.5	500254-1932	
No.4-40UNC	500254-1941	19
M3x0.5	500254-1931	
SCREW	TRAY PACKAGING	CIRCUITS
	MATERIAL NO.	

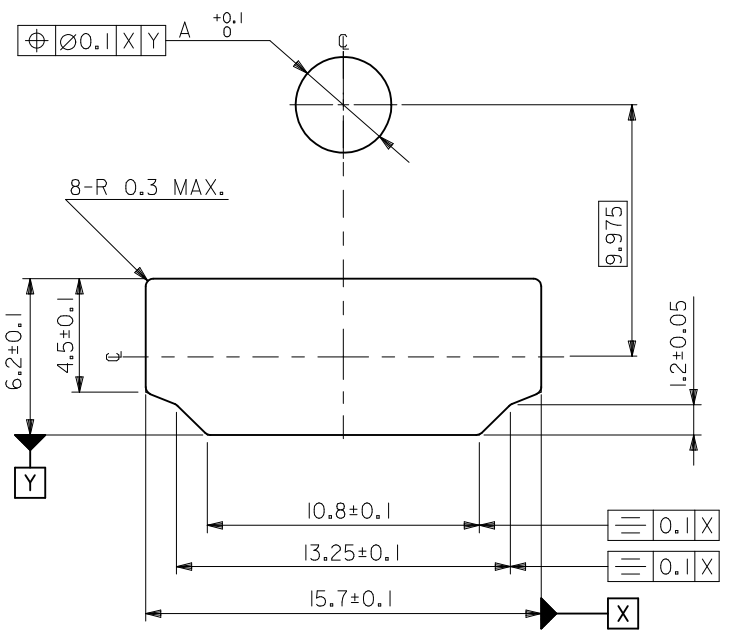
B

A

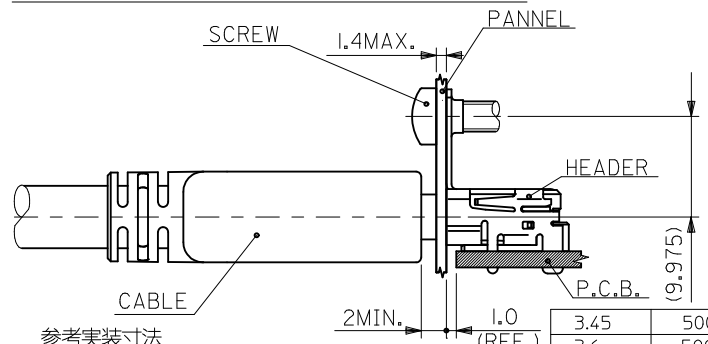
ADD NEW P/N EC NO: S2012-0578 DRWN: ZENG 2012/07/29 CHKD: JESSIECHUA 2012/03/15 APPR: NAGESHKN 2012/03/19	GENERAL TOLERANCES (UNLESS SPECIFIED)		DIMENSION STYLE MM ONLY		SCALE	DESIGN UNITS METRIC	THIRD ANGLE PROJECTION	
	10 UNDER	±0.2	DRAWN BY K. TOYODA	DATE '04/03/26	TITLE	HDMI RIGHT ANGLE HEADER ASSY WITH FLANGE -LEAD FREE- MOLEX INCORPORATED		
	10 OVER 30 UNDER	±0.25	CHECKED BY K. ASAKAWA	DATE '04/03/26	DOCUMENT NO. SD-500254-006			
	30 OVER	±0.3	APPROVED BY S. ICHIKAWA	DATE '04/03/26	SEE CHART			
REV	DESCRIPTION	ANGULAR ±3 °	DRAFT WHERE APPLICABLE MUST REMAIN WITHIN DIMENSIONS		THIS DRAWING CONTAINS INFORMATION THAT IS PROPRIETARY TO MOLEX INCORPORATED AND SHOULD NOT BE USED WITHOUT WRITTEN PERMISSION			



推奨基板寸法
RECOMMENDED P.C.B. PATTERN LAYOUT (±1.6±0.15)
(COMPONENT SIDE)



参考パネル寸法
REFERENCE PANEL CUT OUT DIMENSION.



3.45	500254-1942
3.6	500254-1932
3.45	500254-1941
3.6	500254-1931
"A"	TRAY PACKAGE

ADD NEW P/N EC NO: S2012-0578 DRWN: JZENG 2012/07/29 CHKD: JESSIECHUA 2012/03/15 APPR: NAGESHKN 2012/03/19	DESCRIPTION REV: C2	GENERAL TOLERANCES (UNLESS SPECIFIED)		DIMENSION STYLE MM ONLY		SCALE	DESIGN UNITS METRIC	THIRD ANGLE PROJECTION	
		10 UNDER	±0.2	DRAWN BY K. TOYODA	DATE '04/03/26	TITLE	HDMI RIGHT ANGLE HEADER ASSY WITH FLANGE -LEAD FREE- MOLEX INCORPORATED		
		10 OVER 30 UNDER	±0.25	CHECKED BY K. ASAKAWA	DATE '04/03/26	DOCUMENT NO. SD-500254-006			
		30 OVER	±0.3	APPROVED BY S. ICHIKAWA	DATE '04/03/26	MATERIAL NO. SEE CHART	INCORPORATED AND SHOULD NOT BE USED WITHOUT WRITTEN PERMISSION		
ANGULAR ±3 ° DRAFT WHERE APPLICABLE MUST REMAIN WITHIN DIMENSIONS		SIZE A3							