



Chipsmall Limited consists of a professional team with an average of over 10 year of expertise in the distribution of electronic components. Based in Hongkong, we have already established firm and mutual-benefit business relationships with customers from,Europe,America and south Asia,supplying obsolete and hard-to-find components to meet their specific needs.

With the principle of “Quality Parts,Customers Priority,Honest Operation,and Considerate Service”,our business mainly focus on the distribution of electronic components. Line cards we deal with include Microchip,ALPS,ROHM,Xilinx,Pulse,ON,Everlight and Freescale. Main products comprise IC,Modules,Potentiometer,IC Socket,Relay,Connector.Our parts cover such applications as commercial,industrial, and automotives areas.

We are looking forward to setting up business relationship with you and hope to provide you with the best service and solution. Let us make a better world for our industry!



Contact us

Tel: +86-755-8981 8866 Fax: +86-755-8427 6832

Email & Skype: info@chipsmall.com Web: www.chipsmall.com

Address: A1208, Overseas Decoration Building, #122 Zhenhua RD., Futian, Shenzhen, China



Appliance Inlet DC Filter, ECO Design, Front- or Rear Side Mounting



Screw-on mounting, front or back side
PCB snap-in version
MOLEX HCS-125 connector



Screw-on mounting, front or back side
Quick connect terminals 6.3 x 0.8 mm
AMP Universal MATE-N-LOK or MOLEX MLX



Snap-in mounting
with wires (stranded)
AMP Universal MATE-N-LOK or MOLEX MLX



Description

- Panel Mount :
Screw-on version from front or rear side, snap-in version from front side, PCB Version from rear side
- 2 Functions :
Appliance Inlet , DC line filter in standard version
- Solder, quick connect or wires (stranded)

Approvals

- VDE Certificate Number: 40020642
- UL File Number: E72928

Characteristics

- Compact high-performance DC-filter
- Optimal shielding due to completely closed filter case, unpotted
- Applications:
- Mission Critical Ethernet LAN Routers
- High uptime Ethernet LAN Switches
- Fiber Optic WAN Switches
- Fiber Optic WAN Multiplexer

Other versions on request

- Snap-in for panel thickness >2mm to 3mm
- flexible wire with various lengths
- Quick connect terminals 4.8 x 0.8 mm
- Capacity CY 5.5 nF
- with long earth pin in connector

References

PCB Mounting
Alternative: version 5120 for AC applications

Weblinks

[pdf datasheet](#), [html-datasheet](#), [General Product Information](#), [RoHS](#), [CHINA-RoHS](#), [REACH](#), [Distributor-Stock-Check](#), [Accessories](#), [Detailed request for product](#)

Technical Data

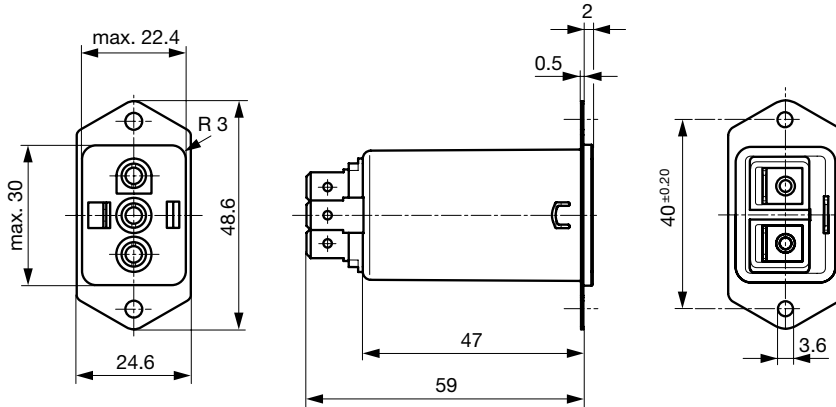
Ratings IEC	15 A / 125VDC
Ratings UL/CSA	3 - 15 A @ Ta 40 °C / 125VDC
Dielectric Strength	> 0.5kVDC between (VAC 1 min., DIN EN 50155) > 1.1kVDC between protective conductor and live parts Test voltage (2 sec)
Allowable Operation Temperature	-25 °C to 85 °C
Climatic Category	25/085/21 acc. to IEC 60068-1
Protection Class	Suitable for appliances with protection class I
Terminal	Quick connect terminals 6.3 x 0.8 mm Wire leads AWG 18 (10-15A AWG 16), 150 mm
Panel Thickness s	Screw: max 8 mm Mounting screw torque max 0.5Nm Snap-in: 0.8mm to 2 mm (all steps with one variant)
Material: Housing	Themoplast / steel tin-plated, black / metallic, UL 94V-0

Line Filter	DC Standard Version, UL 1283 Technical Details
MTBF	> 3'900'000h acc. to MIL-HB-217 F

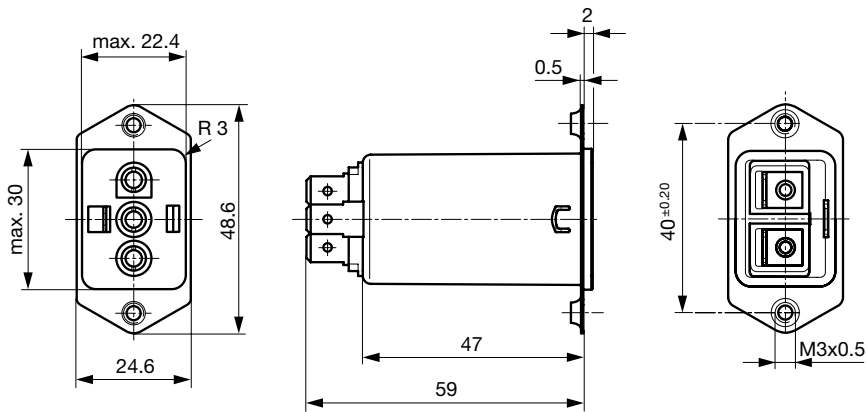
Detailed information on product approvals, code requirements, usage instructions and detailed test conditions can be looked up in [General Product Information](#)

Dimension

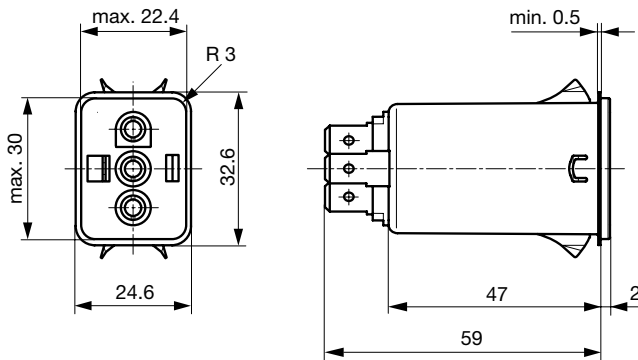
Front- or rear side mounting for screws with nuts or blind rivets, mating connector Molex HCS-125



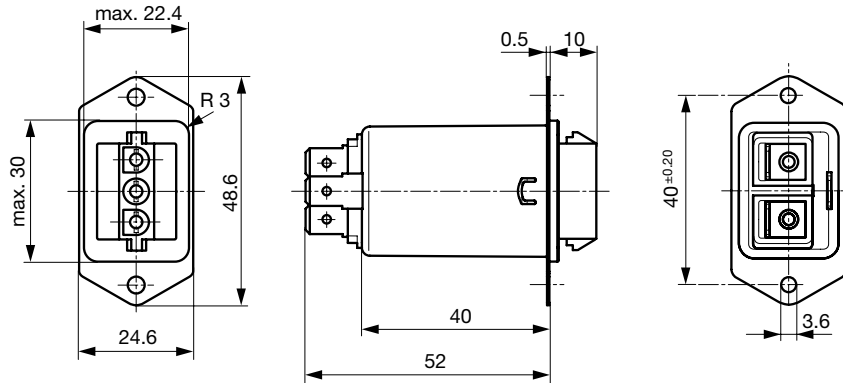
Rear side mounting with pre-formed, threaded holes for M3 screws, mating connector Molex HCS-125



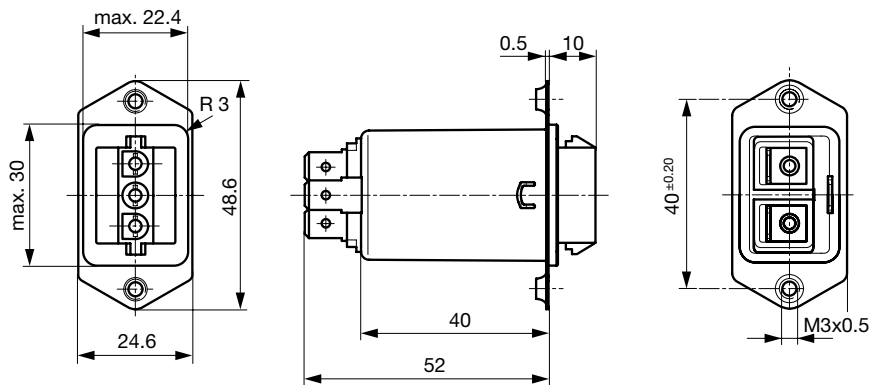
Snap-in mounting from front side, mating connector Molex HCS-125



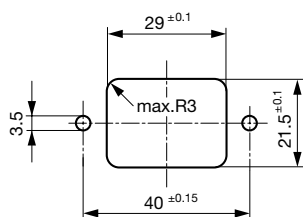
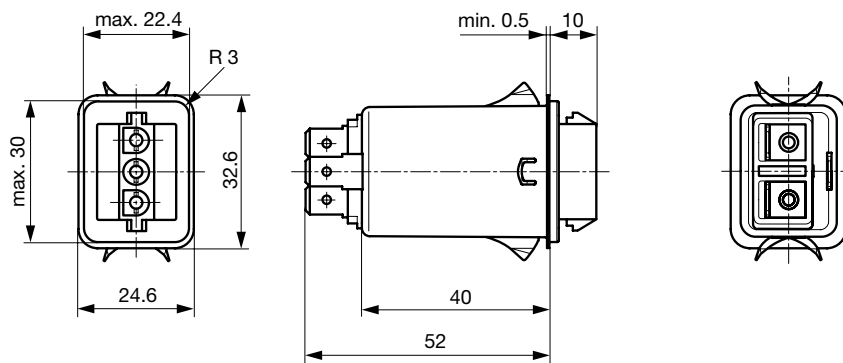
Front or rear side mounting for screws with nuts or blind rivets, mating connector AMP Universal MATE-N-LOK oder Molex MLX



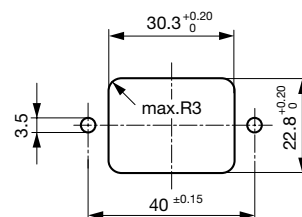
Rear side mounting with pre-formed, threaded holes for M3 screws, mating connector AMP Universal MATE-N-LOK oder Molex MLX



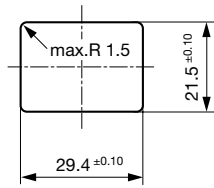
Snap-in mounting from front side, mating connector AMP Universal MATE-N-LOK oder Molex MLX



Panel cutout for front side mounting

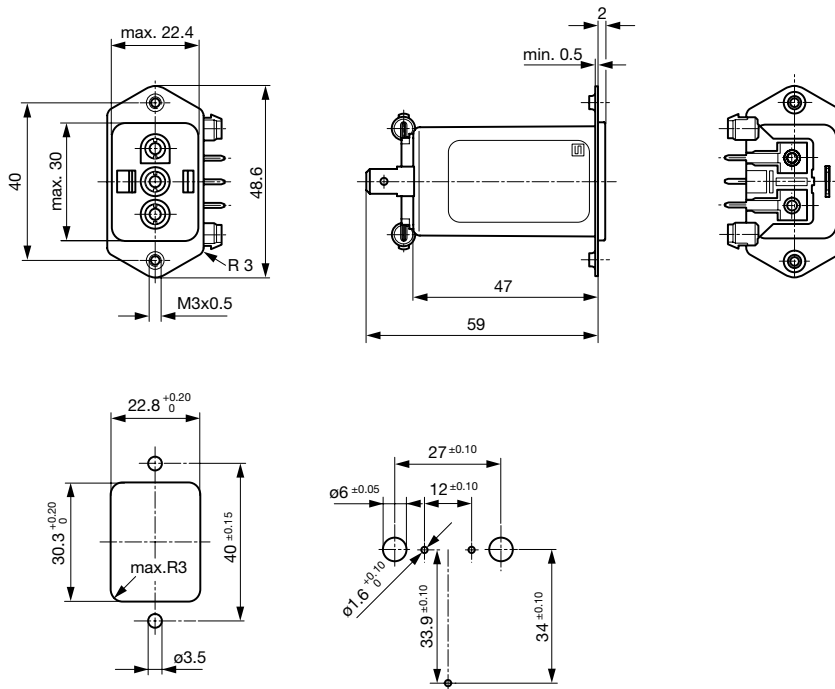


Panel cutout for rear side mounting

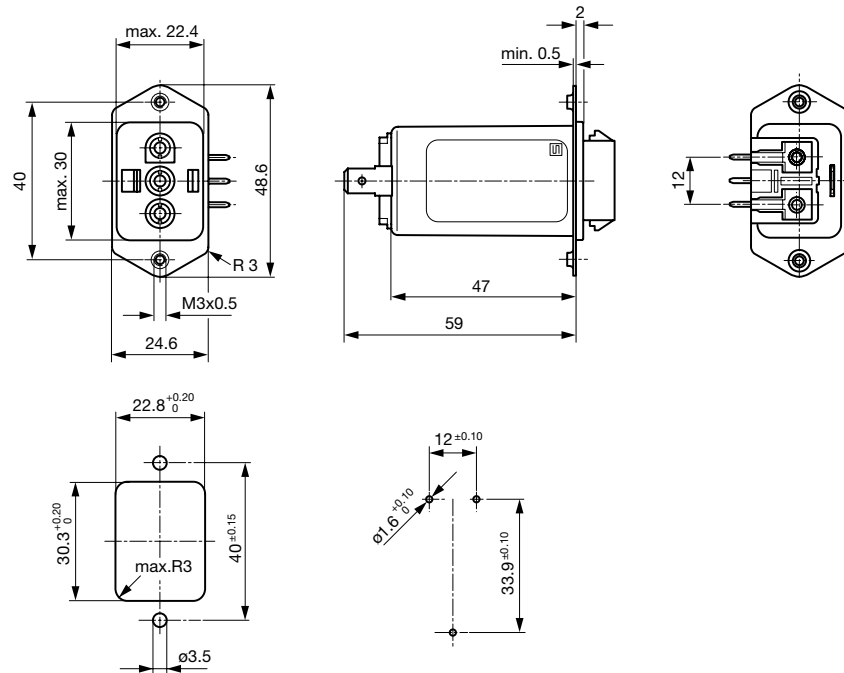


Panel cutout for snap-in mounting

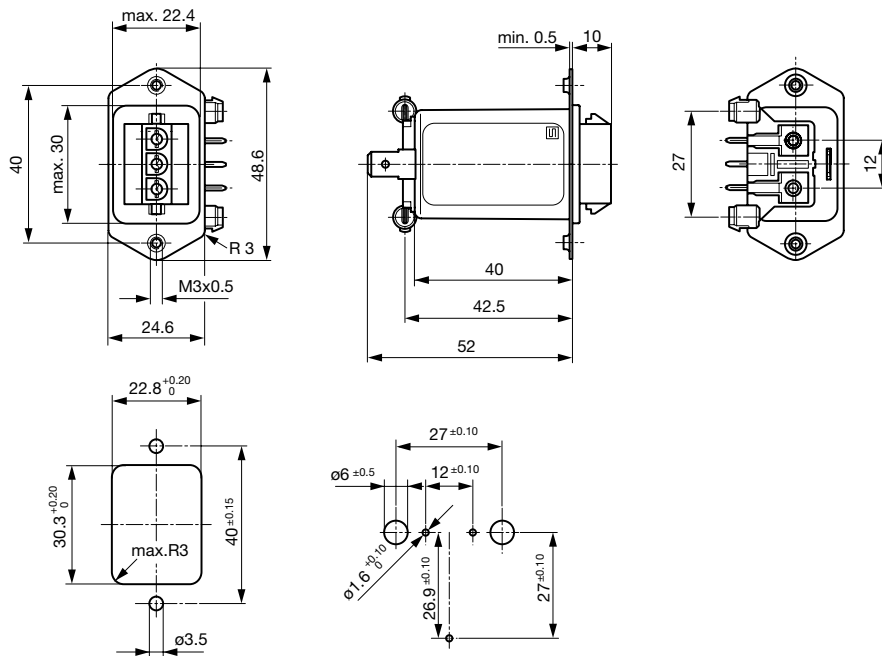
PCB snap-in rear-side mounting with pre-formed threaded holes for M3 screws, mating connector Molex HCS-125



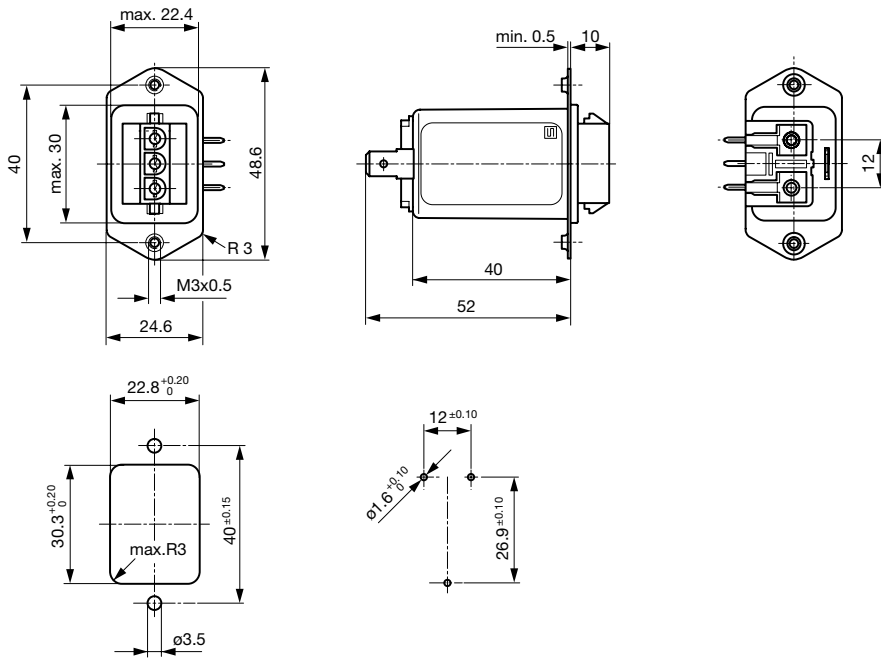
PCB rear-side mounting with pre-formed threaded holes for M3 screws, mating connector Molex HCS-125



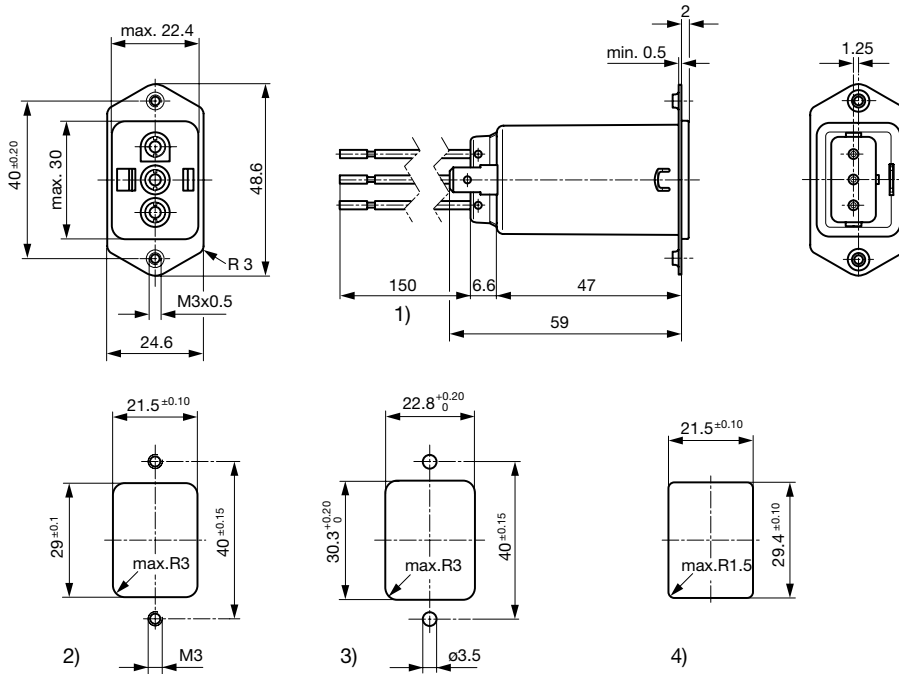
PCB snap-in rear-side mounting with pre-formed threaded holes for M3 screws, mating connector AMP Universal MATE-N-LOK or MOLEX MLX



PCB rear-side mounting with pre-formed threaded holes for M3 screws, mating connector AMP Universal MATE-N-LOK or Molex MLX



Screw and snap-in mounting with flexible wire, mating connector Molex HCS-125 or AMP Universal MATE-N-LOK



- 1) Flexible wire, standard length 150 mm or special length on request
- 2) Panel cut-out screw-on version, front-side mounting
- 3) Panel cut-out, screw-on version, back-side mounting
- 4) Panel cut-out snap-in version, front-side mounting

Mating Connector



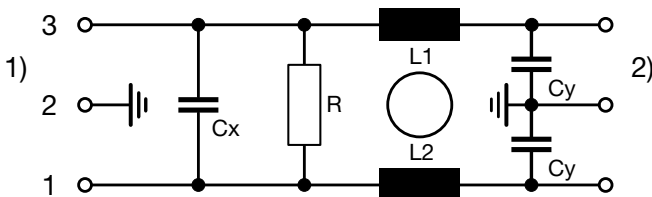
Molex HCS-125
Housing: Molex no. 03-12-1036
Female terminal (3 needed per housing): Molex no. 18-12-1222

AMP Universal MATE-N-LOK
Housing: AMP no. 1-480700-0
Female terminal (3 needed per housing): AMP no. 926901-1
Molex MLX
Housing: Molex no. 50-84-1030
Female terminal (3 needed per housing): Molex no. 02-08-1002

Technical Data of Filter-Components

Rated Current [A]	Filter-Type	Inductances L [mH]	Capacitance CX [nF]	Capacitance CY [nF]	R [MΩ]
3	DC Standard Version	2 x 4	100	4.7	1
6	DC Standard Version	2 x 0.8	100	4.7	1
10	DC Standard Version	2 x 0.4	100	4.7	1
15	DC Standard Version	2 x 0.1	100	4.7	1

Diagrams



1) Line
2) Load

Attenuation Loss

Standard version

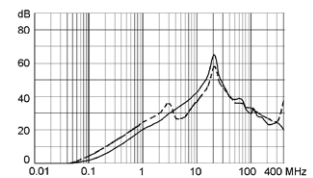
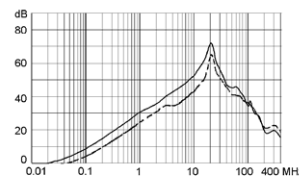
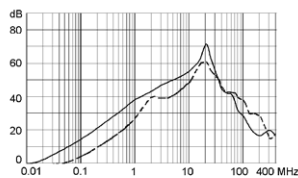
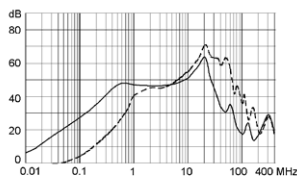
--- 50Ω differential mode ____ 50Ω common mode

3 A

6 A

10 A

15 A



All Variants

Rated Current [A]	Mounting	Mounting side	Terminal	Mating Connector	Order Number
3	Screw	Rear Side	Quick connect terminals 6.3 x 0.8 mm	Molex HCS-125	5003.0121.1
3	Screw/PCB	Rear Side	PCB pin and earth pin 6.3 x 0.8	Molex HCS-125	5003.015B.1
3	Screw/PCB snap-in	Rear Side	PCB pin and earth pin 6.3 x 0.8	Molex HCS-125	5003.016B.1
3	Screw-on/Rivet	Front-/Rear-Side	Quick connect terminals 6.3 x 0.8 mm	Molex HCS-125	5003.0111.1
6	Snap-in	Front Side	Quick connect terminals 6.3 x 0.8 mm	Molex HCS-125	5003.0231.1

Rated Current [A]	Mounting	Mounting side	Terminal	Mating Connector	Order Number
6	Screw	Rear Side	Quick connect terminals 6.3 x 0.8 mm	Molex HCS-125	5003.0221.1
6	Screw/PCB	Rear Side	PCB pin and earth pin 6.3 x 0.8	Molex HCS-125	5003.025B.1
6	Screw/PCB snap-in	Rear Side	PCB pin and earth pin 6.3 x 0.8	Molex HCS-125	5003.026B.1
6	Screw-on/Rivet	Front-/Rear-Side	Quick connect terminals 6.3 x 0.8 mm	Molex HCS-125	5003.0211.1
6	Screw-on/Rivet	Front-/Rear-Side	Solder terminal	Molex HCS-125	5003.0213.1
10	Screw	Rear Side	Quick connect terminals 6.3 x 0.8 mm	Molex HCS-125	5003.0321.1
10	Screw/PCB	Rear Side	PCB pin and earth pin 6.3 x 0.8	Molex HCS-125	5003.035B.1
10	Screw/PCB snap-in	Rear Side	PCB pin and earth pin 6.3 x 0.8	Molex HCS-125	5003.036B.1
10	Screw-on/Rivet	Front-/Rear-Side	Quick connect terminals 6.3 x 0.8 mm	Molex HCS-125	5003.0311.1
10	Screw-on/Rivet	Front-/Rear-Side	Flexible wire and Earth pin 6.3 x 0.8	Molex HCS-125	5003.0316.1
15	Screw	Rear Side	Quick connect terminals 6.3 x 0.8 mm	Molex HCS-125	5003.0421.1
15	Screw/PCB	Rear Side	PCB pin and earth pin 6.3 x 0.8	Molex HCS-125	5003.045B.1
15	Screw/PCB snap-in	Rear Side	PCB pin and earth pin 6.3 x 0.8	Molex HCS-125	5003.046B.1
15	Screw-on/Rivet	Front-/Rear-Side	Quick connect terminals 6.3 x 0.8 mm	Molex HCS-125	5003.0411.1
3	Screw	Rear Side	Quick connect terminals 6.3 x 0.8 mm	AMP / Molex MLX	5003.1121.1
3	Screw/PCB	Rear Side	PCB pin and earth pin 6.3 x 0.8	AMP / Molex MLX	5003.115B.1
3	Screw/PCB snap-in	Rear Side	PCB pin and earth pin 6.3 x 0.8	AMP / Molex MLX	5003.116B.1
3	Screw-on/Rivet	Front-/Rear-Side	Quick connect terminals 6.3 x 0.8 mm	AMP / Molex MLX	5003.1111.1
6	Screw	Rear Side	Quick connect terminals 6.3 x 0.8 mm	AMP / Molex MLX	5003.1221.1
6	Screw/PCB	Rear Side	PCB pin and earth pin 6.3 x 0.8	AMP / Molex MLX	5003.125B.1
6	Screw/PCB snap-in	Rear Side	PCB pin and earth pin 6.3 x 0.8	AMP / Molex MLX	5003.126B.1
6	Screw-on/Rivet	Front-/Rear-Side	Quick connect terminals 6.3 x 0.8 mm	AMP / Molex MLX	5003.1211.1
10	Snap-in	Front Side	Flexible wire and Earth pin 6.3 x 0.8	AMP / Molex MLX	5003.1336.1
10	Screw	Rear Side	Quick connect terminals 6.3 x 0.8 mm	AMP / Molex MLX	5003.1321.1
10	Screw	Rear Side	Solder terminal	AMP / Molex MLX	5003.1323.1
10	Screw/PCB	Rear Side	PCB pin and earth pin 6.3 x 0.8	AMP / Molex MLX	5003.135B.1
10	Screw/PCB snap-in	Rear Side	PCB pin and earth pin 6.3 x 0.8	AMP / Molex MLX	5003.136B.1
10	Screw-on/Rivet	Front-/Rear-Side	Quick connect terminals 6.3 x 0.8 mm	AMP / Molex MLX	5003.1311.1
15	Snap-in	Front Side	Quick connect terminals 6.3 x 0.8 mm	AMP / Molex MLX	5003.1431.1
15	Snap-in 2 - 3 mm	Front Side	Flexible wire and Earth solder terminal	AMP / Molex MLX	5003.1448.1
15	Screw	Rear Side	Quick connect terminals 6.3 x 0.8 mm	AMP / Molex MLX	5003.1421.1
15	Screw/PCB	Rear Side	PCB pin and earth pin 6.3 x 0.8	AMP / Molex MLX	5003.145B.1
15	Screw/PCB snap-in	Rear Side	PCB pin and earth pin 6.3 x 0.8	AMP / Molex MLX	5003.146B.1
15	Screw-on/Rivet	Front-/Rear-Side	Quick connect terminals 6.3 x 0.8 mm	AMP / Molex MLX	5003.1411.1

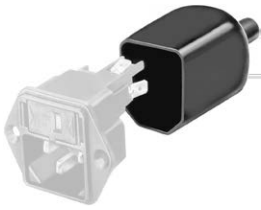
Availability for all products can be searched real-time:<http://www.schurter.com/en/Stock-Check/Stock-Check-SCHURTER>

Type for screw on mounting from rear side has pre-threaded holes for M3 screws

Packaging unit 10 Pcs

Accessories

Description



Assorted Covers
Rear Cover

0859.0048



Cord retaining kits
Cord retaining strain relief

Flat head, Z

0888.0021

Flat head, E

4700.0005

Flat head, G

4700.0007