



Chipsmall Limited consists of a professional team with an average of over 10 year of expertise in the distribution of electronic components. Based in Hongkong, we have already established firm and mutual-benefit business relationships with customers from,Europe,America and south Asia,supplying obsolete and hard-to-find components to meet their specific needs.

With the principle of “Quality Parts,Customers Priority,Honest Operation,and Considerate Service”,our business mainly focus on the distribution of electronic components. Line cards we deal with include Microchip,ALPS,ROHM,Xilinx,Pulse,ON,Everlight and Freescale. Main products comprise IC,Modules,Potentiometer,IC Socket,Relay,Connector.Our parts cover such applications as commercial,industrial, and automotives areas.

We are looking forward to setting up business relationship with you and hope to provide you with the best service and solution. Let us make a better world for our industry!



Contact us

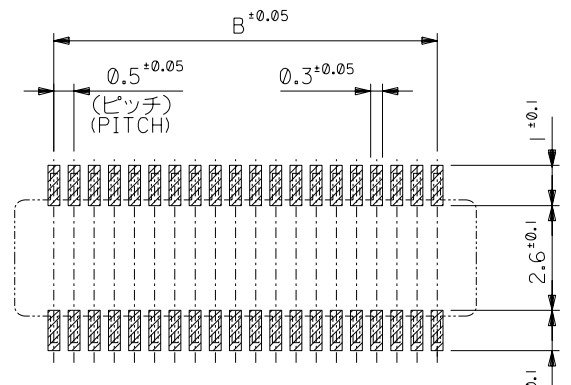
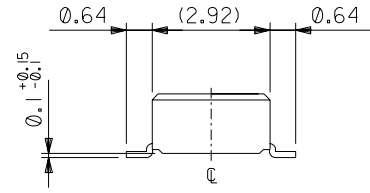
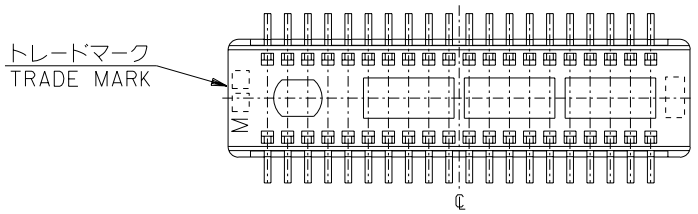
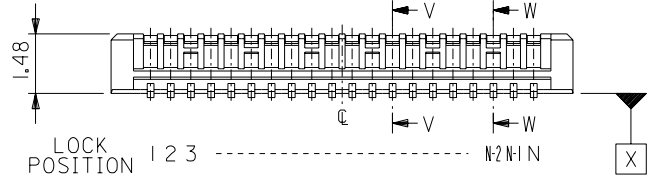
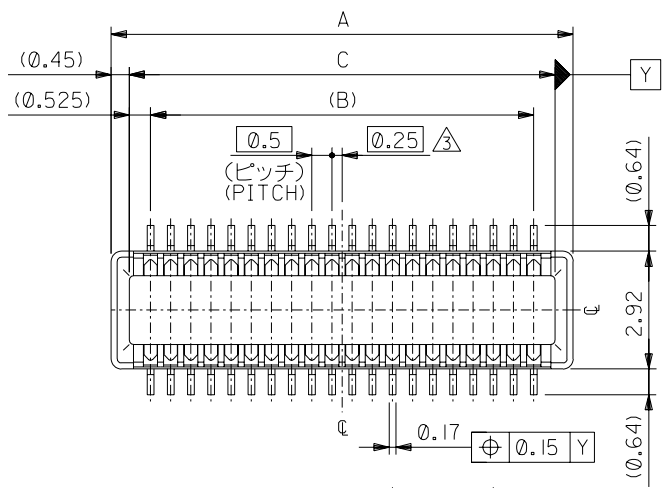
Tel: +86-755-8981 8866 Fax: +86-755-8427 6832

Email & Skype: info@chipsmall.com Web: www.chipsmall.com

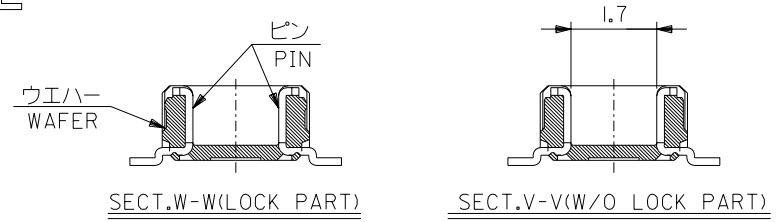
Address: A1208, Overseas Decoration Building, #122 Zhenhua RD., Futian, Shenzhen, China



DWG. NO.
SD-500334-001



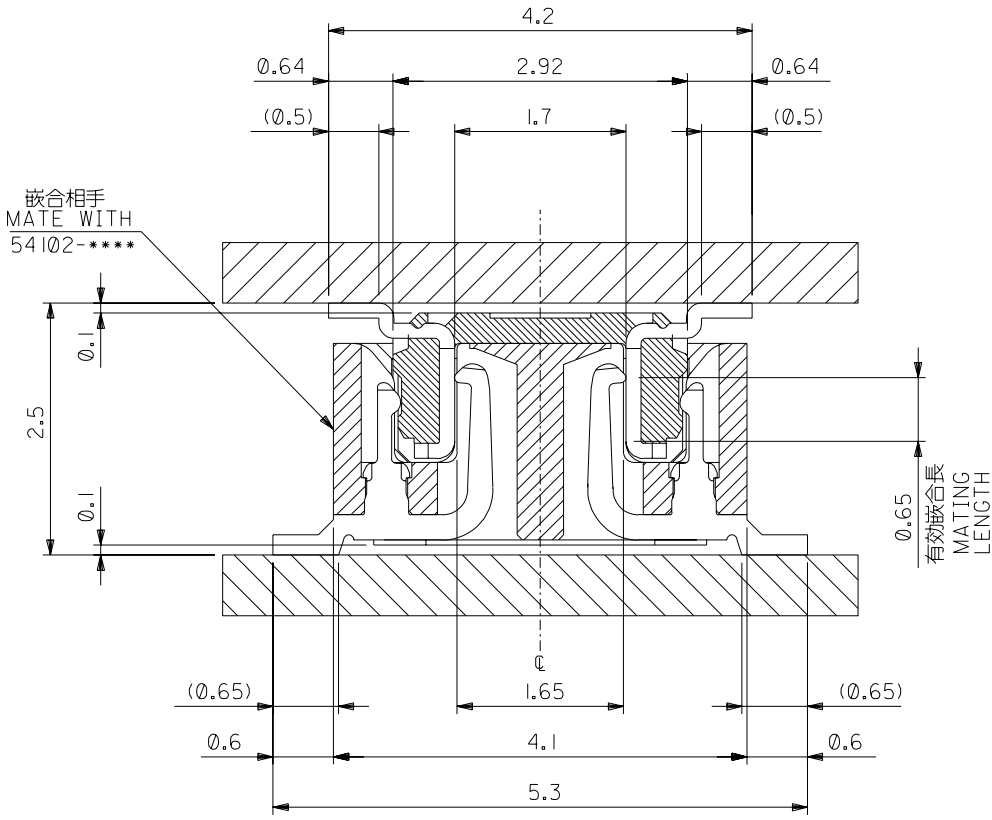
参考基板レイアウト (マウント面)
P.C. BOARD PATTERN DIMENSION (REF.)
(MOUNTING AREA)



ALL	8.05	7	8.95	500334-0308	30
	5.55	4.5	6.45	500334-0208	20
	4.55	3.5	5.45	500334-0168	16
LOCK POSITION	C	B	A	MATERIAL No.	CIRCUIT

DO NOT SCALE DRAWING

EC NO. DRWN: CHK: APPR:	EC NO. DRWN: CHK: APPR:	EC NO. DRWN: CHK: APPR:	REVISED '04/03/22 EC NO. J2004-2899 DRWN: K.TOYODA CHK: K.ASAKAWA APPR: S.ICHIKAWA	RELEASED '03/04/04 EC NO. J2003-2536 DRWN: T.YASUI CHK: T.IITO APPR: T.YAMAGUCHI	DESCRIPTION	MATERIAL 材料	GENERAL TOLERANCES: (UNLESS SPECIFIED) 一般公差	SCALE —//	MODEL No. 500334-***8	DESIGN UNITS <input checked="" type="checkbox"/> mm <input type="checkbox"/> INCH	THIRD ANGLE PROJECTION	DIMENSIONS: <input type="checkbox"/> mm <input type="checkbox"/> INCH <input type="checkbox"/> mm ONLY	SHT	REV
			A	0	—//	注記参照 SEE NOTES	10 UNDER 未満 ±0.2	DRAWN BY & DATE T.YASUI '03/ 4/ 4	TITLE: 0.5 BOARD TO BOARD Conn PLUG Assy (Hgt=2.5) -LEAD FREE-					
					—//	FINISH 仕上り	10 OVER 30 UNDER 未満 ±0.25	CHECKED BY & DATE T.IITO '03/ 4/ 7	MOLEX INCORPORATED					
					—//	WIRE RANGE 適用線径範囲	30 OVER 以上 ±0.3	APPROVED BY & DATE T.YAMAGUCHI '03/ 4/ 7	MATERIAL NO. SEE CHART	DRAWING NO. SD-500334-001	SHEET NO. 1 OF 2			
					—//	INS. RANGE 被覆外径	ANGLE 角度 ±3°	CAD FILENAME SD-500334-001.S01	THIS DRAWING CONTAINS INFORMATION THAT IS PROPRIETARY TO MOLEX INCORPORATED AND SHOULD NOT BE USED WITHOUT WRITTEN PERMISSION.		SIZE B			



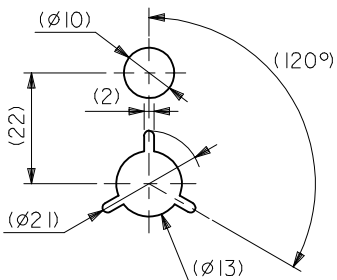
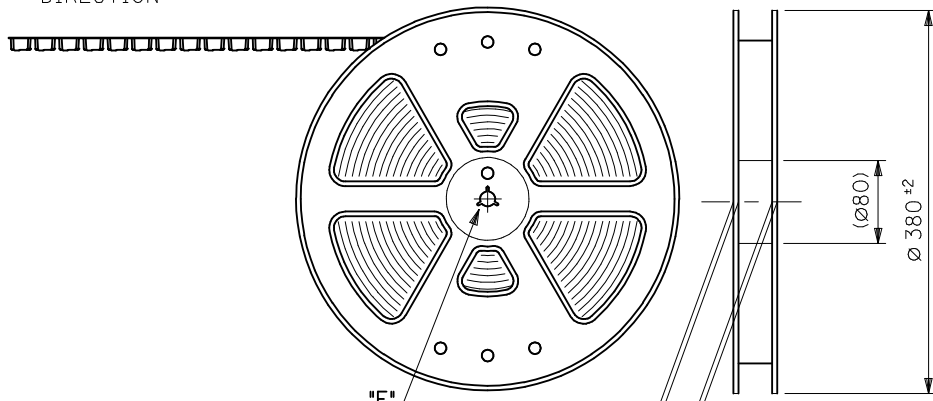
注記 NOTES:

1. 使用材料 MATERIAL
 ハウジング: 液晶ポリマー (LCP), ガラス充填, UL94V-0, 色: 黒
 HOUSING: LIQUID CRYSTAL POLYMER(LCP), GLASS FILLED
 UL94V-0, COLOR: BLACK
 ターミナル: 黄銅 (t=0.15)
 TERMINAL: BRASS (t=0.15)
2. メッキ仕様 PLATING
 金メッキ 0.25マイクロメートル以上 (コンタクト部)
 GOLD(Au) 0.25 MICROMETER MINIMUM (CONTACT AREA)
 金メッキ 0.4マイクロメートル以下 (テール部)
 GOLD(Au) 0.4 MICROMETER MAXIMUM (TAIL AREA)
 下地メッキ: ニッケルメッキ 1.5マイクロメートル以上
 UNDER PLATING: NICKEL 1.5 MICROMETER MINIMUM
3. (全極数/2) = 偶数の場合に適用。
 APPLY FOR (CIRCUIT/2)=EVEN.
4. 嵌合相手: 54102シリーズ
 MATE WITH: 54102 SERIES.
5. テール平坦度は 0.1以下。
 TAIL COPLANARITY TO BE 0.1 MAXIMUM.

DO NOT SCALE DRAWING

64 NO. DRWN: CH'K: APPR: 63 NO. DRWN: CH'K: APPR: 62 NO. DRWN: CH'K: APPR: 61 NO. DRWN: CH'K: APPR: 60 NO. DRWN: CH'K: APPR:		SEE SHEET 1 OF 2 A 0	MATERIAL 材料 注記参照 SEE NOTES FINISH 仕上げ 適用 適用 WIRE RANGE 適用 適用 INS. RANGE 被覆 被覆	GENERAL TOLERANCES: (UNLESS SPECIFIED) 一般公差 10 UNDER 未満 ±0.2 10 OVER 以上 30 UNDER 未満 ±0.25 30 OVER 以上 ±0.3 ANGLE 角度 ±3°	MODEL No. 500334-***8 DIMENSIONS: SHT REV DESIGN UNITS: mm INCH PROJECTION: 2D DRAWN BY & DATE: T.YASUI '03/ 4/ 4 CHECKED BY & DATE: T.ITO '03/ 4/ 7 APPROVED BY & DATE: T.YAMAGUCHI '03/ 4/ 7 CAD FILENAME: SD-500334-001.S02 TITLE: 0.5 BOARD TO BOARD Conn PLUG Assy (Hgt=2.5) -LEAD FREE- MOLEX INCORPORATED MATERIAL NO. SEE CHART DRAWING NO. SD-500334-001 SHEET NO. 2 OF 2	THIS DRAWING CONTAINS INFORMATION THAT IS PROPRIETARY TO MOLEX INCORPORATED AND SHOULD NOT BE USED WITHOUT WRITTEN PERMISSION.	SIZE B
--	--	----------------------------	---	---	--	--	--------

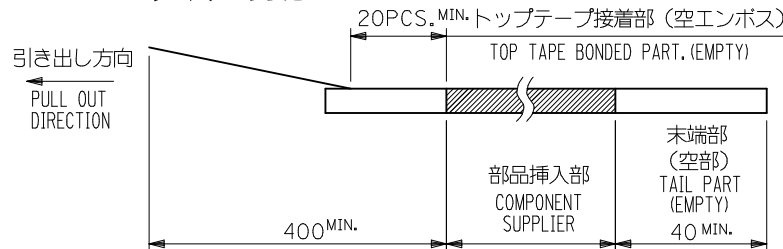
引き出し方向
PULL OUT
DIRECTION



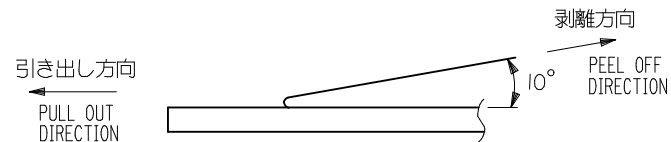
DETAIL "F"

NOTES

- 製品詳細寸法については図面 SD-500334-001 を参照下さい。
RE DETAILED DIMENSION, SEE SD-500334-001
- 梱包数量：3000個/リール
NUMBER OF CONNECTORS : 3000PCS/REEL
- リードテープ長さ LEAD TAPE LENGTH



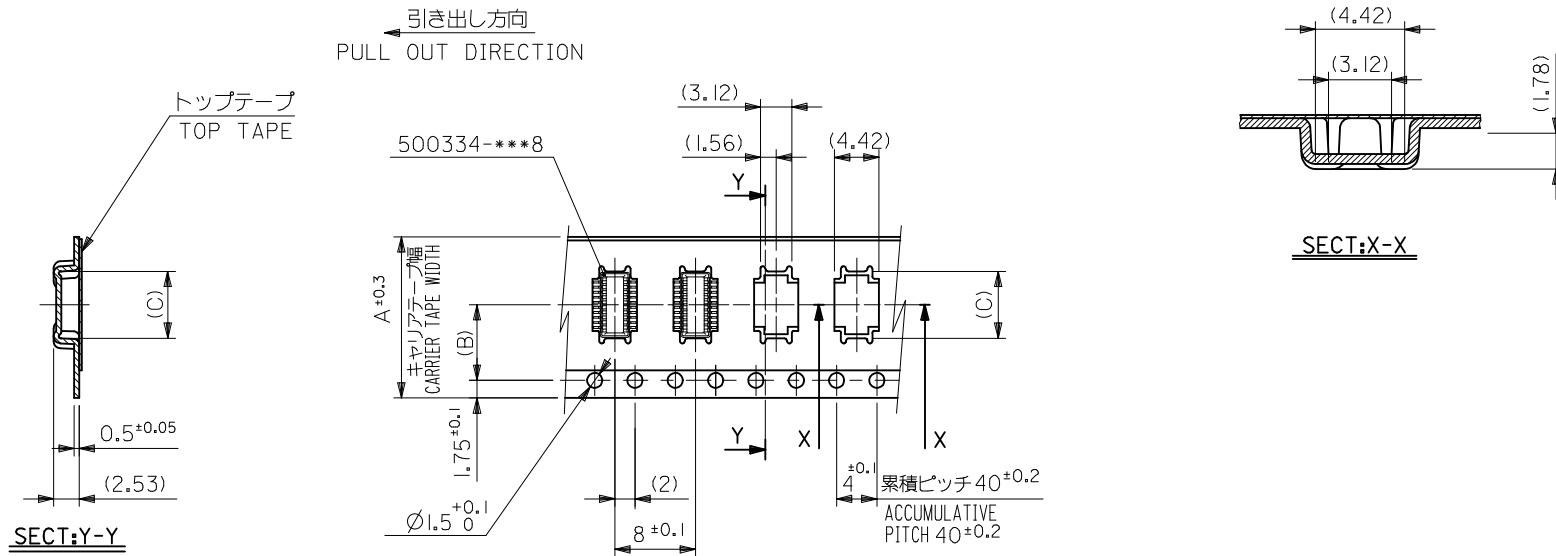
- トップテープの剥離強度：0.1N ~ 0.7N (10.2gf ~ 71.4gf)
(剥離方向は下図参照)
尚、本規格値は出荷時に適用。(但し、輸送時に剥離が発生しないこと。)
PEELING OFF FORCE OF TOP TAPE : 0.1N ~ 0.7N (10.2gf ~ 71.4gf)
(PEELING DIRECTION AS SHOWN IN FOLLOWING FIG.)
THIS REQUIREMENT SHOULD BE APPLIED AT SHIPMENT.
PEEL OFF SHOULD NOT BE ALLOWED , DURING TRANSPORTATION.



⑤. 材料 MATERIAL

キャリアテープ：ポリプロピレン (PP)
CARRIER TAPE : POLYPROPYLENE (PP)
トップテープ：ポリエステル (PET)、ポリエチレン (PE)、ポリエチレンフォーム (PEF)
TOP TAPE : POLYESTER (PET)、POLYETHYLENE (PE)、POLYETHYLENEFOAM (PEF)
リール：ポリスチレン (PS) <リサイクル材を含む>
REEL : POLYSTYRENE (PS) <RECYCLE MATERIAL CONTAINED>

REVISED EC NO: J2009-2132 DRWN: YOSHIKAWA 2009/03/19 CHKD: H. HAYASHI 2009/03/23 APPR: NUKITA 2009/03/24	DESCRIPTION	GENERAL TOLERANCES (UNLESS SPECIFIED)		DIMENSION STYLE MM ONLY		SCALE ---	DESIGN UNITS METRIC	THIRD ANGLE PROJECTION		
		10 UNDER	± 0.2	DRAWN BY N. YOSHIKAWA	DATE 2009/03/18	TITLE EMBSTP PKG FOR 0.5 B/B PLUG ASSY (HGT=2.5) -LEAD FREE-				
		10 OVER 30 UNDER	± 0.25	CHECKED BY M. HAYASHI	DATE 2009/03/18	MOLEX INCORPORATED				
		30 OVER	± 0.3	APPROVED BY N. UKITA	DATE 2009/03/18	MATERIAL NO. SEE CHART DOCUMENT NO. SD-500334-002 SHEET NO. 1 OF 2				
REV		ANGULAR ± 3 ° DRAFT WHERE APPLICABLE MUST REMAIN WITHIN DIMENSIONS		THIS DRAWING CONTAINS INFORMATION THAT IS PROPRIETARY TO MOLEX INCORPORATED AND SHOULD NOT BE USED WITHOUT WRITTEN PERMISSION						



16mm幅キャリアテープ
16mm WIDTH CARRIER TAPE

500334-***0	29.4	25.4	9.15	11.5	24	500334-0300	30
	21.4	17.4	6.65	7.5	16	500334-0200	20 [Ⓞ]
	21.4	17.4	5.65	7.5	16	500334-0160	16
MODEL NO.	[Ⓞ] E	[Ⓞ] D	(C)	(B)	A	MATERIAL No.	極数 CKT.

REVISED EC NO: J2009-2132 DRWN:YOSHIKAWA 2009/03/19 CHK'D:M.HAYASHI 2009/03/23 APPR:NUKITA 2009/03/24	GENERAL TOLERANCES (UNLESS SPECIFIED)		DIMENSION STYLE MM ONLY		SCALE ---	DESIGN UNITS METRIC	THIRD ANGLE PROJECTION
	10 UNDER	±0.2	DRAWN BY N.YOSHIKAWA	DATE 2009/03/19	TITLE EMBSTP PKG FOR 0.5 B/B PLUG ASSY (HGT=2.5) -LEAD FREE-		
	10 OVER 30 UNDER	±0.25	CHECKED BY M.HAYASHI	DATE 2009/03/19	MOLEX INCORPORATED		
	30 OVER	±0.3	APPROVED BY N.UKITA	DATE 2009/03/19	MATERIAL NO. SEE CHART	DOCUMENT NO. SD-500334-002	SHEET NO. 2 OF 2
REV	DESCRIPTION	ANGULAR ±3 °	THIS DRAWING CONTAINS INFORMATION THAT IS PROPRIETARY TO MOLEX INCORPORATED AND SHOULD NOT BE USED WITHOUT WRITTEN PERMISSION				
		DRAFT WHERE APPLICABLE MUST REMAIN WITHIN DIMENSIONS					