



Chipsmall Limited consists of a professional team with an average of over 10 year of expertise in the distribution of electronic components. Based in Hongkong, we have already established firm and mutual-benefit business relationships with customers from,Europe,America and south Asia,supplying obsolete and hard-to-find components to meet their specific needs.

With the principle of “Quality Parts,Customers Priority,Honest Operation,and Considerate Service”,our business mainly focus on the distribution of electronic components. Line cards we deal with include Microchip,ALPS,ROHM,Xilinx,Pulse,ON,Everlight and Freescale. Main products comprise IC,Modules,Potentiometer,IC Socket,Relay,Connector.Our parts cover such applications as commercial,industrial, and automotives areas.

We are looking forward to setting up business relationship with you and hope to provide you with the best service and solution. Let us make a better world for our industry!



Contact us

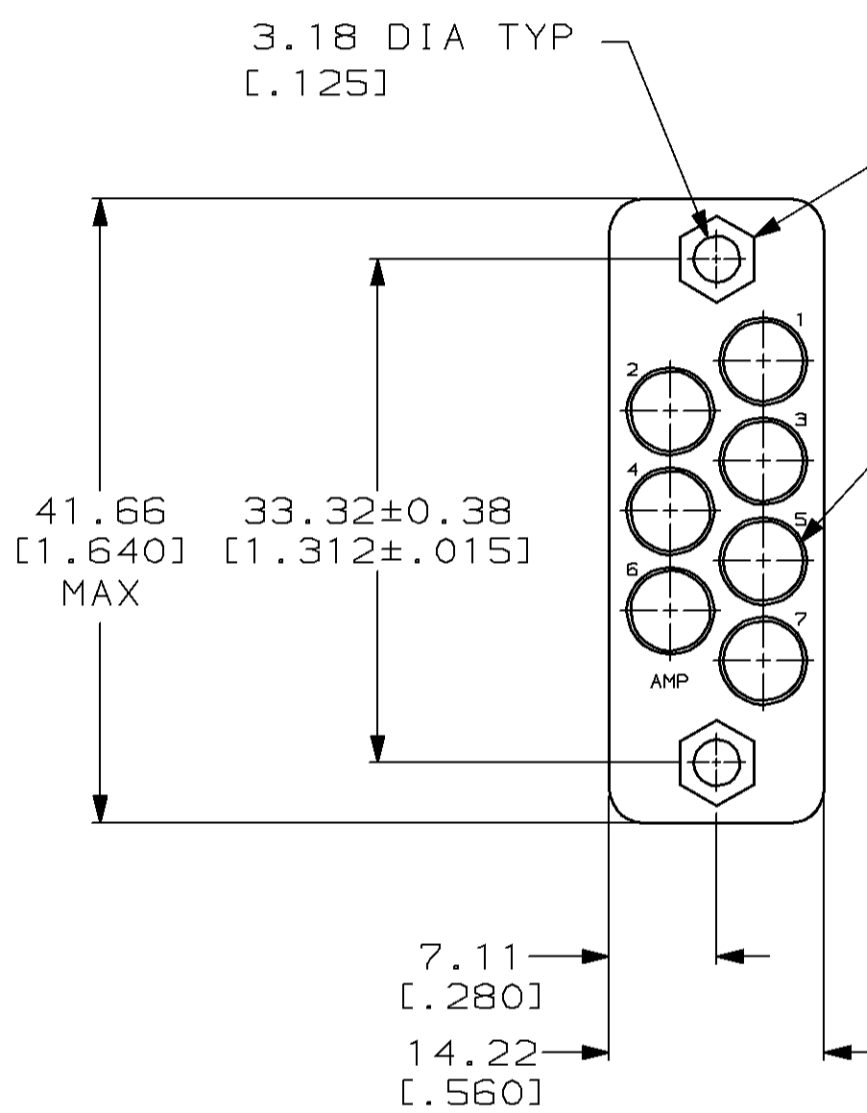
Tel: +86-755-8981 8866 Fax: +86-755-8427 6832

Email & Skype: info@chipsmall.com Web: www.chipsmall.com

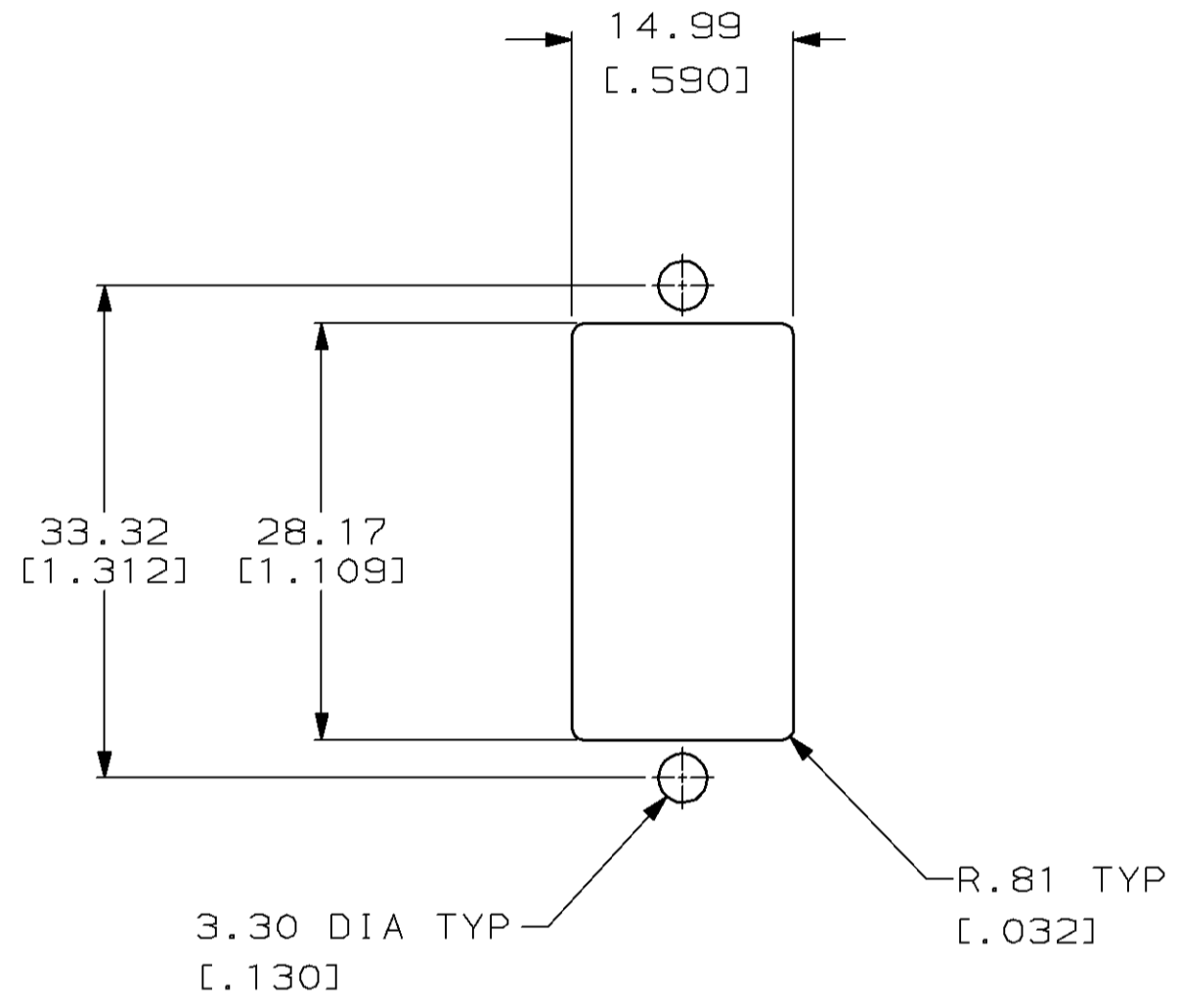
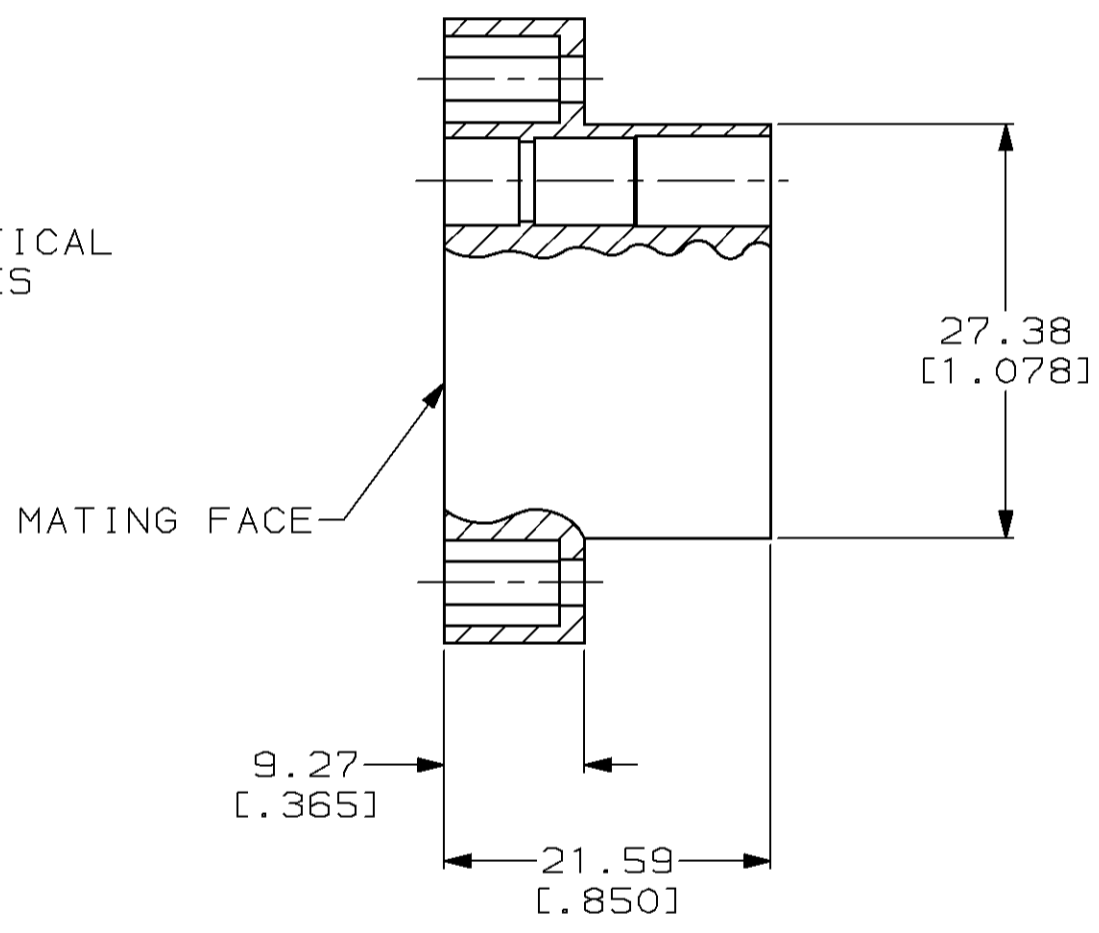
Address: A1208, Overseas Decoration Building, #122 Zhenhua RD., Futian, Shenzhen, China



LOC	DIST	P	F	ZONE	LTR	DESCRIPTION	DATE	APPD
AJ	16				U	REACTIVATE PER 0630-0391-98	10-05-98	MO



4.90±.05 [.193±.002]
 HEX, 2 PLC, 7.62
 [.300] DEEP



SUGGESTED PANEL CUTOUT

PHENOLIC (MIL-M-14F), BLACK	50063-1
MATERIAL	PART NUMBER

DO NOT SCALE PRINT. UNLESS SPECIFIED DIMENSIONS IN mm [INCHES] TOLERANCES ON : 2 PLC DEC ± .20 [.008] 3 PLC DEC ± - ANGLES ± -		DR 12/21/92 J.DAVIS		AMP Incorporated Harrisburg, PA 17105-3608	
MATERIAL SEE TABLE		CHK 12/21/92 J.McCLEOD			
FINISH -		APPD 12/21/92 J.DAVIS		NAME 7 POSN MIN COAX MALE BLOCK	
-		APPD 12/21/92 J.McCLEOD		SIZE C	
-		APPLICATION SPEC -		CAGE CODE 00779	
-		WEIGHT .282 OZ.		DRAWING NO G=50063	
-		-		SCALE 2:1	
-		-		SHEET 1 OF 1	

THIS DRAWING IS A CONTROLLED DOCUMENT FOR AMP INCORPORATED. IT IS SUBJECT TO CHANGE AND THE CONTROLLING ENGINEERING ORGANIZATION SHOULD BE CONTACTED FOR THE LATEST REVISION.