

Chipsmall Limited consists of a professional team with an average of over 10 year of expertise in the distribution of electronic components. Based in Hongkong, we have already established firm and mutual-benefit business relationships with customers from,Europe,America and south Asia,supplying obsolete and hard-to-find components to meet their specific needs.

With the principle of “Quality Parts,Customers Priority,Honest Operation,and Considerate Service”,our business mainly focus on the distribution of electronic components. Line cards we deal with include Microchip,ALPS,ROHM,Xilinx,Pulse,ON,Everlight and Freescale. Main products comprise IC,Modules,Potentiometer,IC Socket,Relay,Connector.Our parts cover such applications as commercial,industrial, and automotives areas.

We are looking forward to setting up business relationship with you and hope to provide you with the best service and solution. Let us make a better world for our industry!



Contact us

Tel: +86-755-8981 8866 Fax: +86-755-8427 6832

Email & Skype: info@chipsmall.com Web: www.chipsmall.com

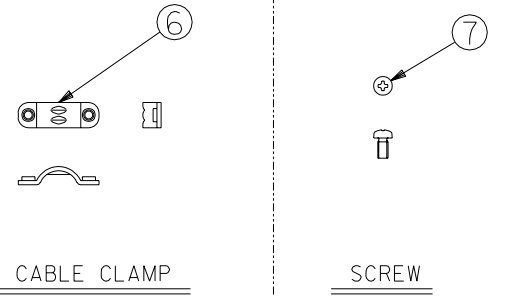
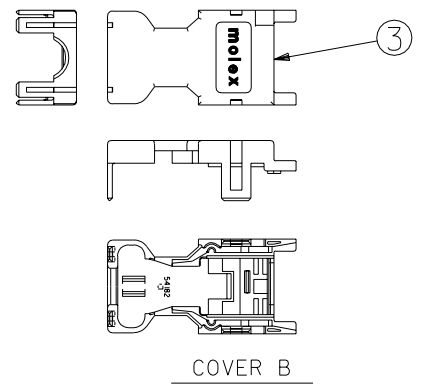
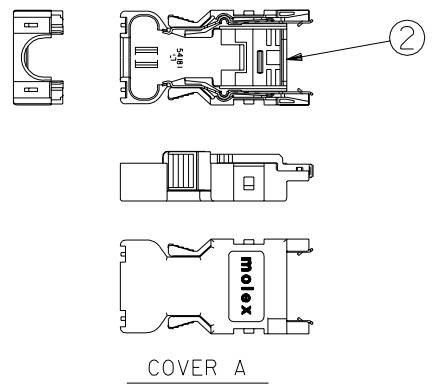
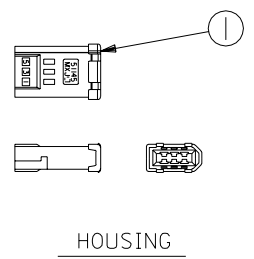
Address: A1208, Overseas Decoration Building, #122 Zhenhua RD., Futian, Shenzhen, China

DWG. NO. SD-500654-005

部品構成 PARTS CONSTRUCTION

部番 NO.	部品名 PART NAME	製品番号 MATERIAL NO.	個数 QUAN.	材質 MATERIAL
①	ハウジング HOUSING	51145-0601	1	ハウジング: ガラス入り耐熱樹脂 UL94V-0 色:黒 HOUSING: G.F. HEAT RESISTANT PLASTIC UL94V-0 COLOR: BLACK
②	カバー A COVER A	54181-0615	1	カバー A: ガラス入りポリカーボネイト樹脂 COVER A: POLYCARBONATE G.F. UL94V-0 色:グレー UL94V-0 COLOR: GRAY スプリングラッチ: ステンレス鋼 t0.4 SPRING LATCH: STAINLESS STEEL t0.4
③	カバー B COVER B	54182-0605	1	ガラス入りポリカーボネイト樹脂 UL94V-0 色:グレー POLYCARBONATE G.F. UL94V-0 COLOR: GRAY
④	シェル カバー SHELL COVER	58299-0626	1	鋼 t0.4 STEEL t0.4
⑤	シェル ボディ SHELL BODY	58300-0626	1	メッキ仕様: ニッケル下地, 錫メッキ PLATING: NICKEL BASE, TIN PLATING
⑥	ケーブルクランプ CABLE CLAMP	58303-0000	1	ステンレス鋼 STAINLESS STEEL
⑦	十字穴付きなべネジ CROSS RECESSED PAN HEAD MACHINE SCREW	59832-0009	2	黄銅(ネジサイズ: M2X4) BRASS (SCREW SIZE: M2X4)

本製品は500654-0600の鉛フリー品である。
THIS PRODUCT IS LEAD FREE OF 500654-0600.



DO NOT SCALE DRAWING

EC NO. DRWN: CHK: APPR:	EC NO. DRWN: CHK: APPR:	EC NO. DRWN: CHK: APPR:	EC NO. DRWN: CHK: APPR:	EC NO. DRWN: CHK: APPR:	RELEASED EC NO. J2004-3810 DRWN: Y.WADA '04/04/15 CHK: M.SASAO '04/04/15 APPR: M.SASAO '04/04/15	MATERIAL 材料 —#— FINISH 仕上げ —#— WIRE RANGE 適用電線範囲 —#— INS. RANGE 被覆外径 —#—	GENERAL TOLERANCES: (UNLESS SPECIFIED) 一般公差 10 UNDER 未満 ±0.2 10 OVER 以上 30 UNDER 未満 ±0.25 30 OVER 以上 ±0.3 ANGLE 角度 ±3°	SCALE 1:1 DESIGN UNITS <input checked="" type="checkbox"/> mm <input type="checkbox"/> INCH THIRD ANGLE PROJECTION	DRAWN BY & DATE Y.WADA '04/04/15 CHECKED BY & DATE M.SASAO '04/04/15 APPROVED BY & DATE M.SASAO '04/04/15	TITLE: 2.0mm PITCH I/O CONN. PLUG SET (CRIMP TYPE) -LEAD FREE-	DIMENSIONS: <input type="checkbox"/> mm <input type="checkbox"/> INCH <input checked="" type="checkbox"/> mm ONLY	SHT 1 OF 1 REV REVISION ON CAD ONLY	
						0	CAD FILENAME SD-500654-005.S01		MATERIAL NO. SEE CHART	DRAWING NO. SD-500654-005	SHEET NO. 1 OF 1	THIS DRAWING CONTAINS INFORMATION THAT IS PROPRIETARY TO MOLEX INCORPORATED AND SHOULD NOT BE USED WITHOUT WRITTEN PERMISSION.	