



Chipsmall Limited consists of a professional team with an average of over 10 year of expertise in the distribution of electronic components. Based in Hongkong, we have already established firm and mutual-benefit business relationships with customers from,Europe,America and south Asia,supplying obsolete and hard-to-find components to meet their specific needs.

With the principle of "Quality Parts,Customers Priority,Honest Operation,and Considerate Service",our business mainly focus on the distribution of electronic components. Line cards we deal with include Microchip,ALPS,ROHM,Xilinx,Pulse,ON,Everlight and Freescale. Main products comprise IC,Modules,Potentiometer,IC Socket,Relay,Connector.Our parts cover such applications as commercial,industrial, and automotives areas.

We are looking forward to setting up business relationship with you and hope to provide you with the best service and solution. Let us make a better world for our industry!



## Contact us

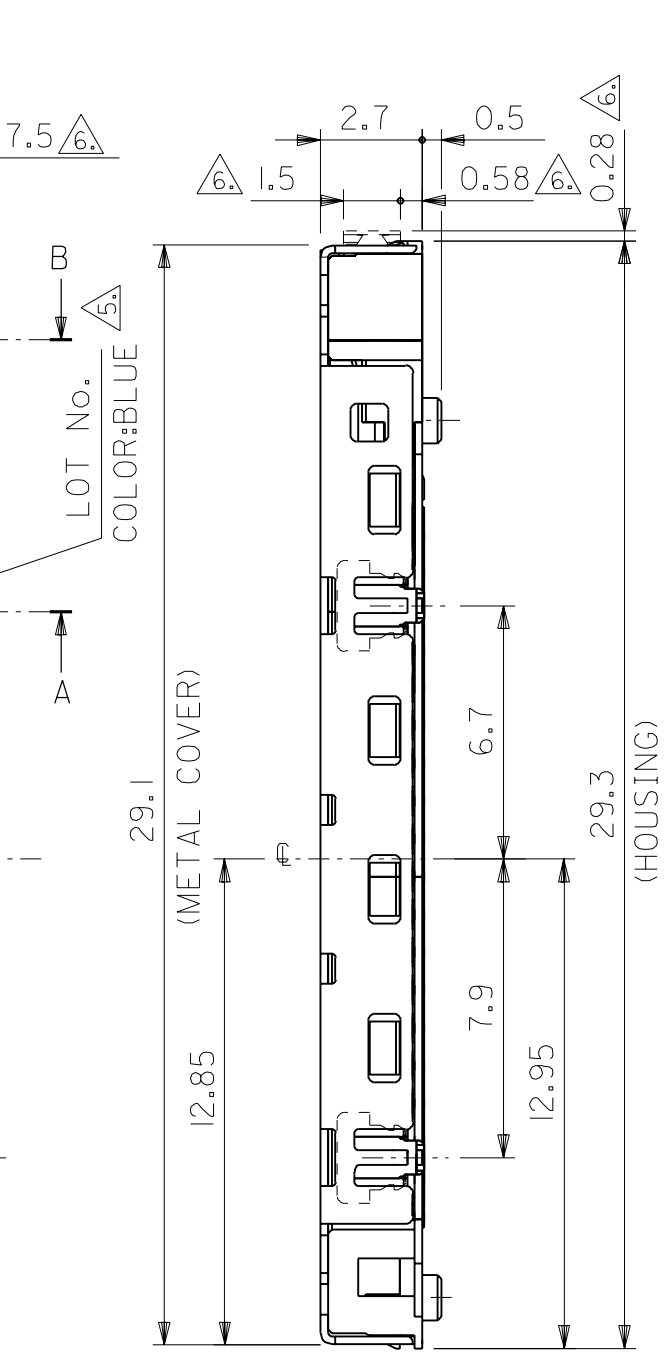
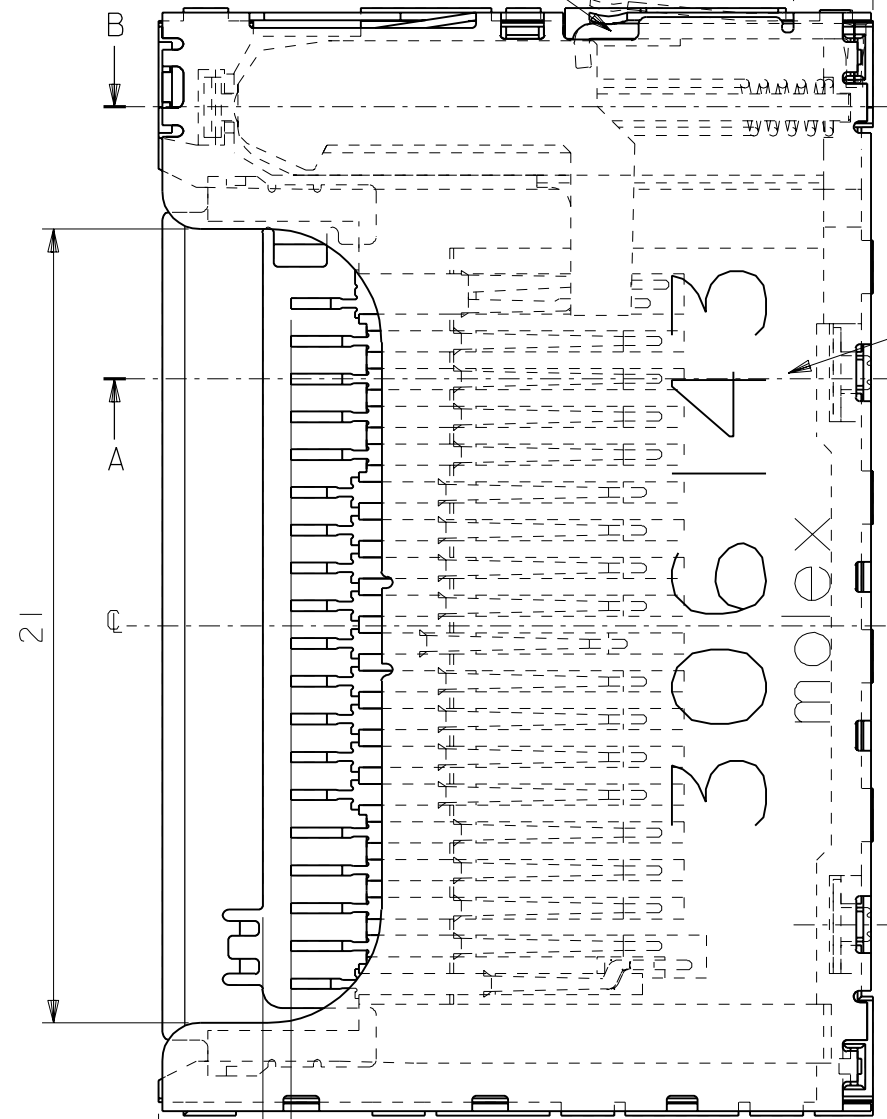
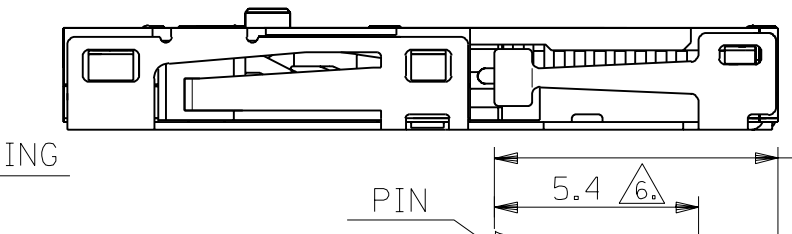
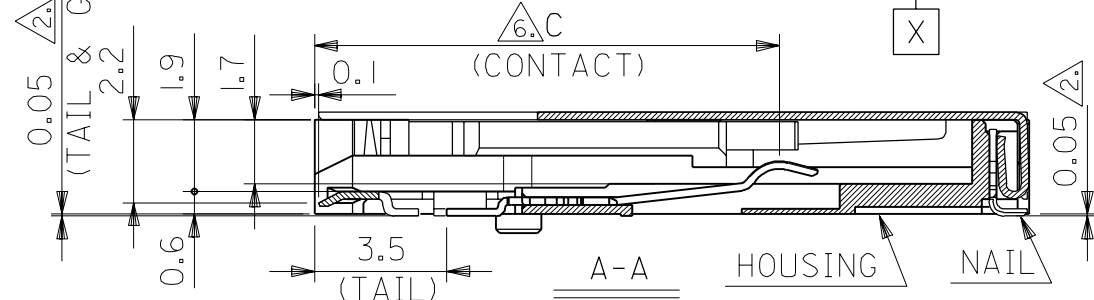
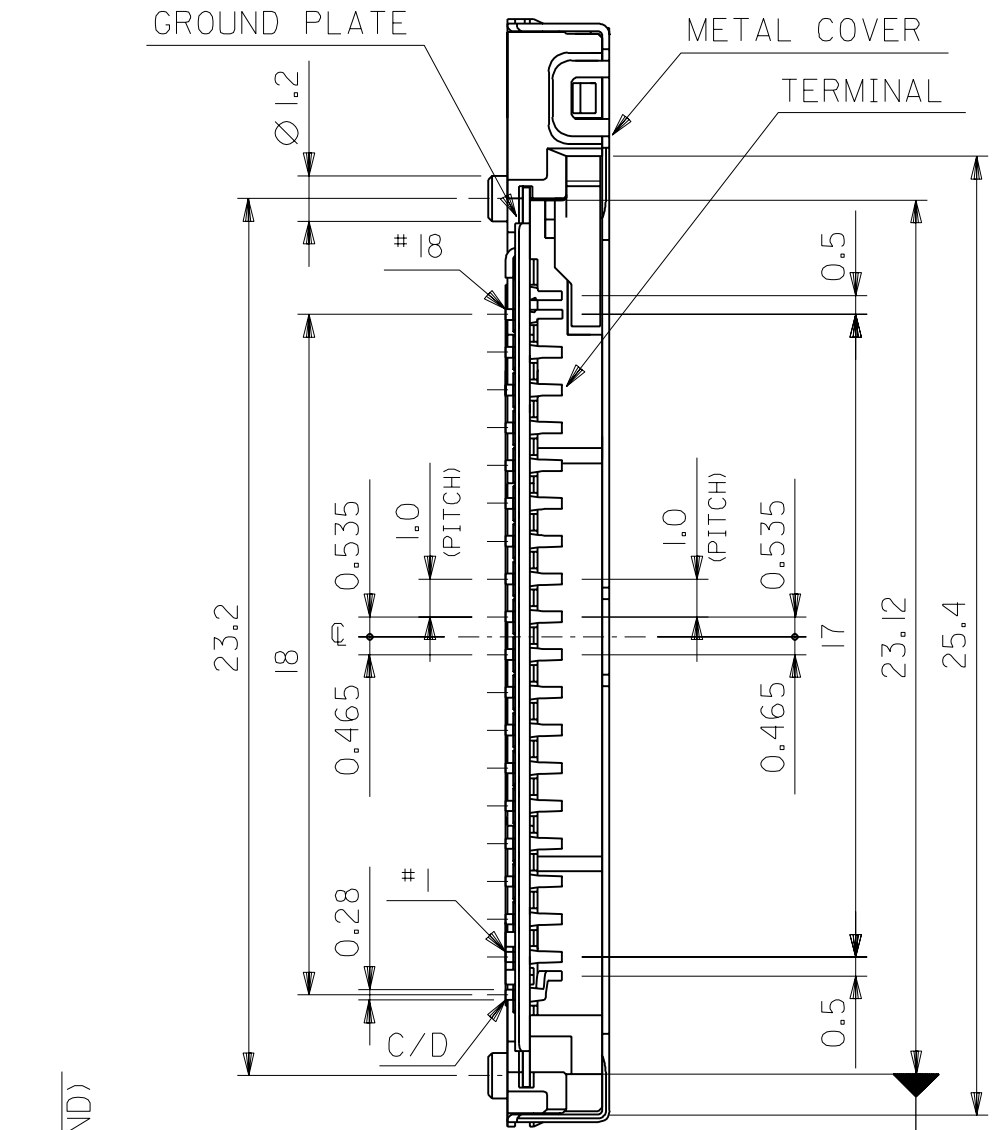
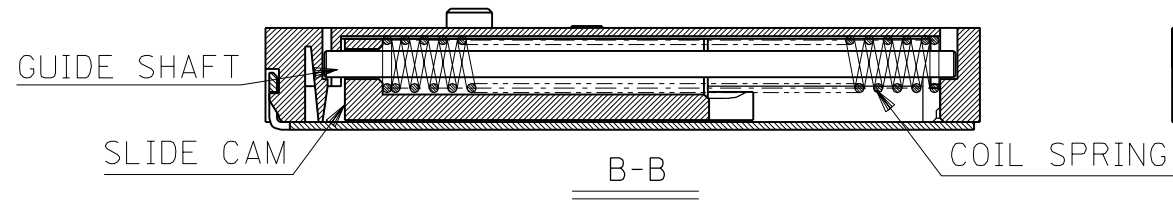
Tel: +86-755-8981 8866 Fax: +86-755-8427 6832

Email & Skype: info@chipsmall.com Web: www.chipsmall.com

Address: A1208, Overseas Decoration Building, #122 Zhenhua RD., Futian, Shenzhen, China



DWG. NO.  
SD-500733-005



無鉛  
LEAD FREE

DIMENSIONS	
CIRCUIT No.	C
#18	12, 12.5
#9	11.4
#5 ~ #8, #10 ~ #13	11.9
#1 ~ #4, #14 ~ #17	12.3
#0(C/D)	13.1

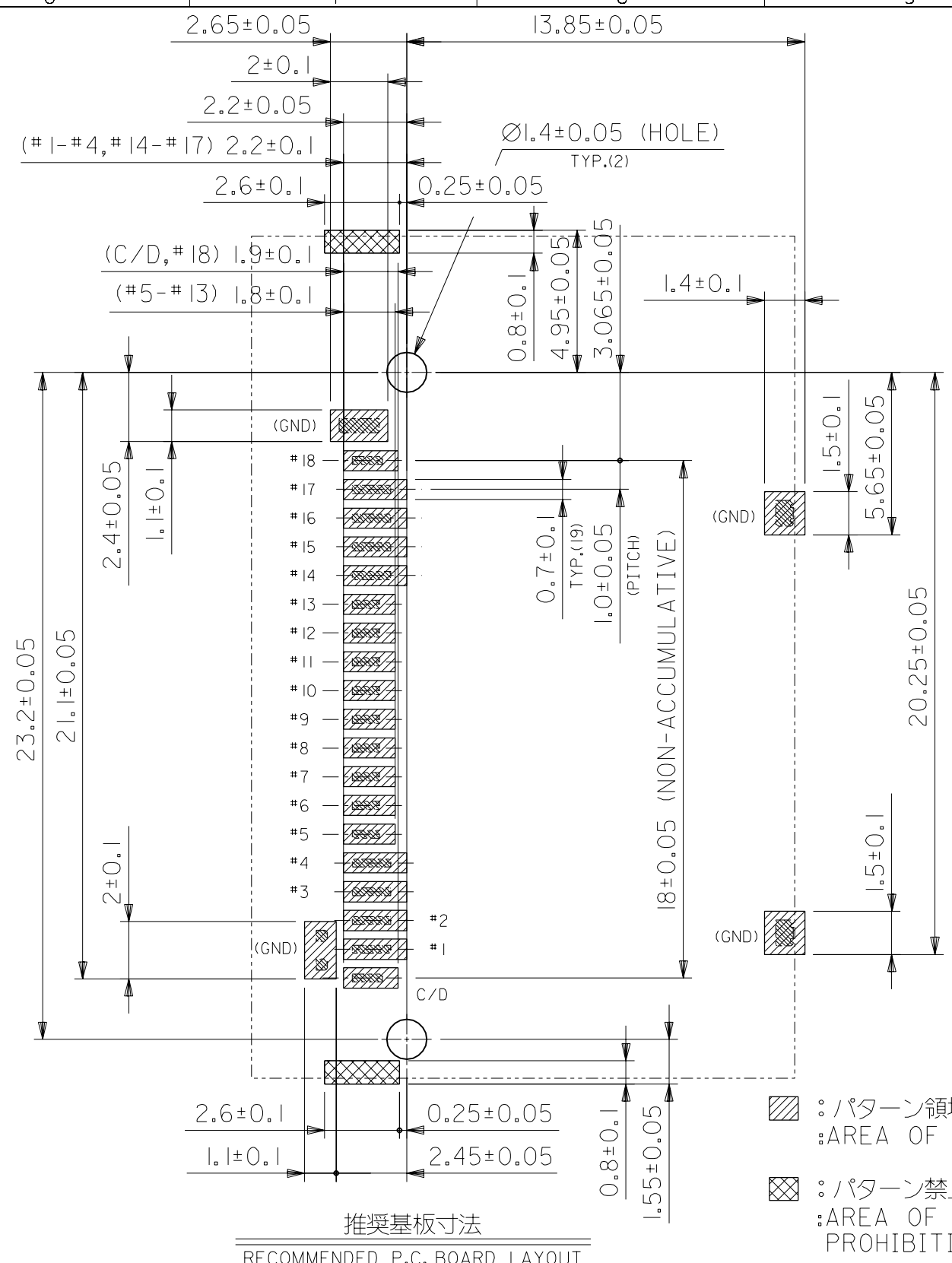
CIRCUITS	19
TAPE	500733-1991
	500733-1999
PACKAGING MATERIAL NO.	
DIMENSIONS:	SHT REV
<input type="checkbox"/> mm <input type="checkbox"/> INCH <input checked="" type="checkbox"/> mm ONLY	REVISE ON CAD ONLY

DO NOT SCALE DRAWING

EC NO. DRWN: CHK: APPR:	EC NO. DRWN: CHK: APPR:	EC NO. DRWN: CHK: APPR:	REVISED EC NO. J2004-2677 DRWN: Y.HASEGAWA '04/02/26 CHK: H.HIRATA '04/02/26 APPR: M.SASAO '04/02/26	RELEASED EC NO. J2004-2145 DRWN: Y.HASEGAWA '03/06/01 CHK: H.HIRATA '03/06/01 APPR: M.SASAO '03/06/01	DESCRIPTION
					MATERIAL 材料
					SEE NOTE 1.
					FINISH 仕上げ
					SEE NOTE 1.
					WIRE RANGE 適用電線範囲
					#
					INS. RANGE 被覆外径
					#

GENERAL TOLERANCES: (UNLESS SPECIFIED) 一般公差	SCALE 5-1	DESIGN UNITS <input checked="" type="checkbox"/> mm <input type="checkbox"/> INCH	THIRD ANGLE PROJECTION
10 UNDER 未満	±0.2	DRAWN BY & DATE Y.HASEGAWA '04/01/28	TITLE: XD PICTURE CARD SOCKET HOUSING ASS'Y (LOW PROFILE TYPE)
10 OVER 30 UNDER 以上 未満	±0.25	CHECKED BY & DATE H.HIRATA '04/01/28	MOLEX INCORPORATED
30 OVER 以上	±0.3	APPROVED BY & DATE M.SASAO '04/01/28	MATERIAL NO. SEE TABLE
ANGLE 角度	±3°	CAD FILENAME SD-500733-005.S01	DRAWING NO. SD-500733-005
		THIS DRAWING CONTAINS INFORMATION THAT IS PROPRIETARY TO MOLEX INCORPORATED AND SHOULD NOT BE USED WITHOUT WRITTEN PERMISSION.	
			SHEET NO. 1 OF 2
			SIZE B

DWG. NO.  
SD-500733-005



推奨基板寸法  
RECOMMENDED P.C. BOARD LAYOUT

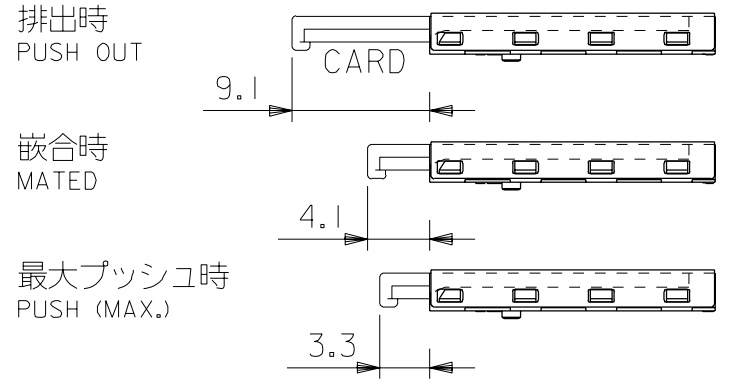
: パターン領域  
 : AREA OF PATTERN  
 : パターン禁止領域  
 : AREA OF PATTERN PROHIBITION

NOTES 1. 材質  
MATERIAL

ハウジング HOUSING	耐熱樹脂 ,UL94V-0 色:黒 HEAT RESISTANCE POLYMER ,UL94V-0,BLACK
ターミナル TERMINAL	銅合金 ,接点部:金めっき,半田付け部:錫めっき COPPER ALLOY ,CONTACT:Au PLATING, SOLDER:Sn-Cu PLATING
メタルカバー METAL COVER	ステンレス鋼 STAINLESS STEEL
ネール NAIL	銅合金 ,錫めっき COPPER ALLOY ,Sn-Cu PLATING
ガイドシャフト GUIDE SHAFT	ステンレス鋼 STAINLESS STEEL
ピン PIN	ステンレス鋼 STAINLESS STEEL
スプリング SPRING	ピアノ線 ,クロメート処理(黒) SWP ,CHLOMATE TREATMENT (BLACK)
スライドカム SLIDE CAM	耐熱樹脂 ,UL94V-0 色:黒 HEAT RESISTANCE POLYMER ,UL94V-0,BLACK
グランドプレート GROUND PLATE	銅合金 ,錫めっき COPPER ALLOY ,Sn PLATING

△2. ソルダータール及びネールはハウジング底面を基準に、上に 0mm 下に 0.15mm の範囲にあり、且つテール及びネール平坦度は 0.1 MAX.  
 SOLDER TAILS AND NAILS ARE WITHIN THE AREA FROM 0mm ABOVE TO 0.15mm BELOW HOUSING BOTTOM LINE.  
 AND TAILS AND NAILS COPLANARITY TO BE 0.1 MAX.  
 製品を平面上に置いた時、テール部が平面に接している事。  
 SOME TAILS SHOULD CONTACT WITH THE PLANE WHEN A SOCKET BEING PUT ON A PLANE.

3. ターミナル接触力: 0.3N/0.3mm  
NORMAL FORCE PER CONTACT : 0.3N/0.3mm
4. カードの突出寸法 (下図参照)  
PROTRUDING DIMENSIONS FROM SOCKET,(REFER TO BELOW)



△5. 製造ロット番号: 3 06 14 3  
 LOT NO. LEGEND:  
 YEAR: (2,3,...)  
 MONTH: (01,02,...,12)  
 DAY: (01,02,...,31)  
 LINE: (1,2,...)  
 色: 青色  
 COLOR:BLUE

△6. 本製品の側面 (図示) にはカード挿抜時に可動する部分があります。側面を拘束するようなレイアウトは、お避け下さい。  
 THIS PRODUCT HAS MOVABLE PORTION ON THE SIDE. PLEASE DO NOT CARRY OUT USAGE WHICH REATRAINS THE SIDE.

DO NOT SCALE DRAWING

EC NO. DRWN: CHK: APPR:	EC NO. DRWN: CHK: APPR:	EC NO. DRWN: CHK: APPR:	EC NO. DRWN: CHK: APPR:	SEE SHEET 1 OF 2	EC NO. DRWN: CHK: APPR:
			A	0	

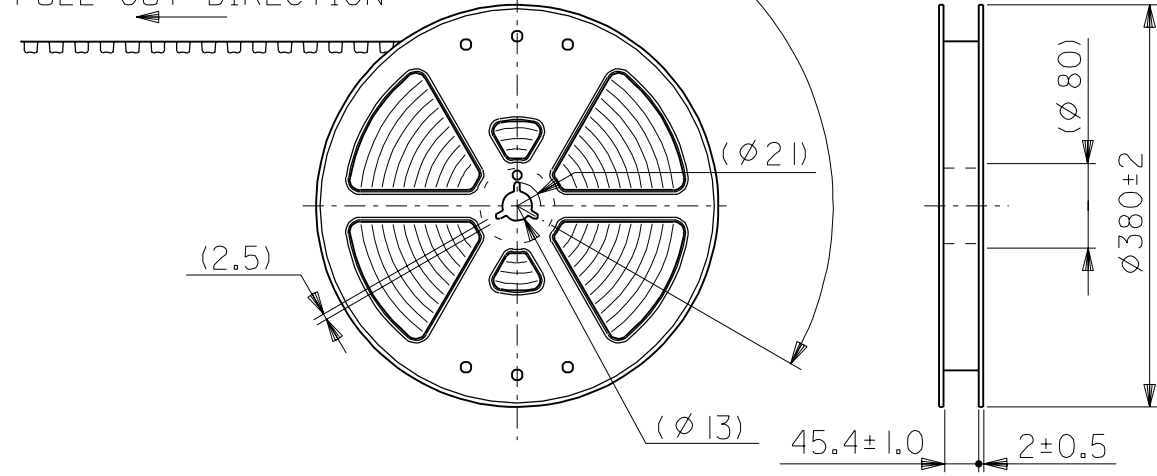
MATERIAL 材料	SEE NOTE 1.
FINISH 仕上げ	SEE NOTE 1.
WIRE RANGE 適用電線範囲	— # —
INS. RANGE 被覆外径	— # —

GENERAL TOLERANCES: (UNLESS SPECIFIED) 一般公差	SCALE 5-1	DESIGN UNITS ☑mm □INCH	THIRD ANGLE PROJECTION ☉
10 UNDER 未満	±0.2	DRAWN BY & DATE Y.HASEGAWA '04/01/28	TITLE: XD PICTURE CARD SOCKET HOUSING ASS'Y (LOW PROFILE TYPE)
10 OVER 30 UNDER 以上 未満	±0.25	CHECKED BY & DATE H.HIRATA '04/01/28	MOLEX INCORPORATED
30 OVER 以上	±0.3	APPROVED BY & DATE M.SASAO '04/01/28	
ANGLE 角度	±3°	CAD FILENAME SD-500733-005.S02	MATERIAL NO. SEE TABLE

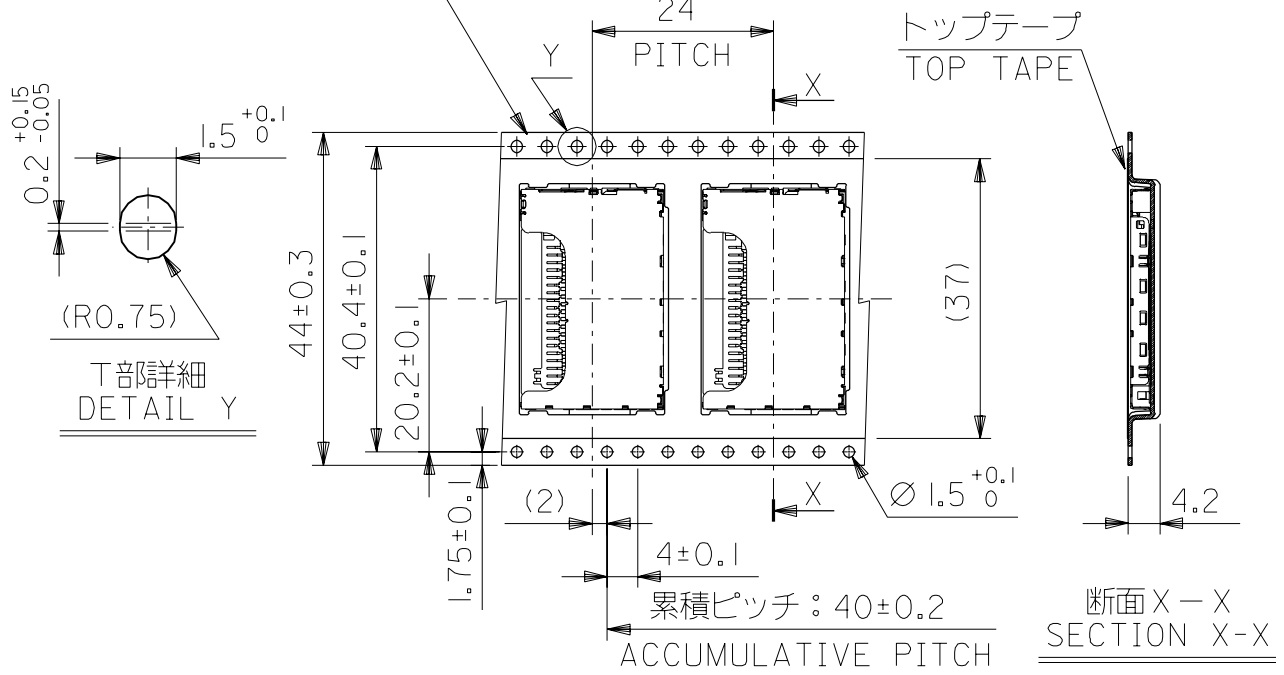
DIMENSIONS: □ mm □ INCH □ mm □ mm ☑ ONLY	SHT REV	REVISE ON CAD ONLY
THIS DRAWING CONTAINS INFORMATION THAT IS PROPRIETARY TO MOLEX INCORPORATED AND SHOULD NOT BE USED WITHOUT WRITTEN PERMISSION.		
DRAWING NO. SD-500733-005		SHEET NO. 2

DWG. NO.  
SD-500733-006

引き出し方向  
PULL OUT DIRECTION



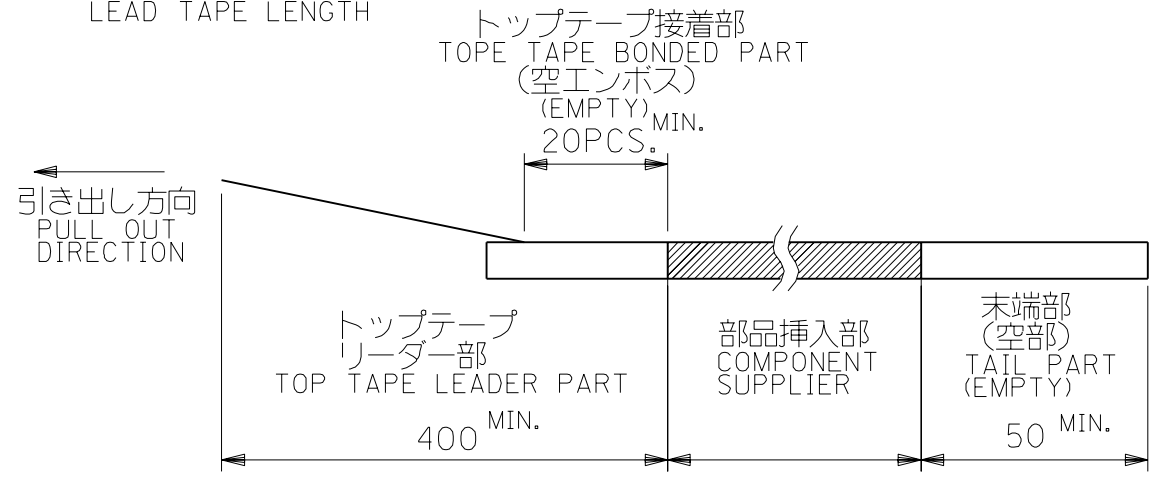
44巾テープ  
44 WIDTH TAPE



引き出し方向  
PULL OUT DIRECTION

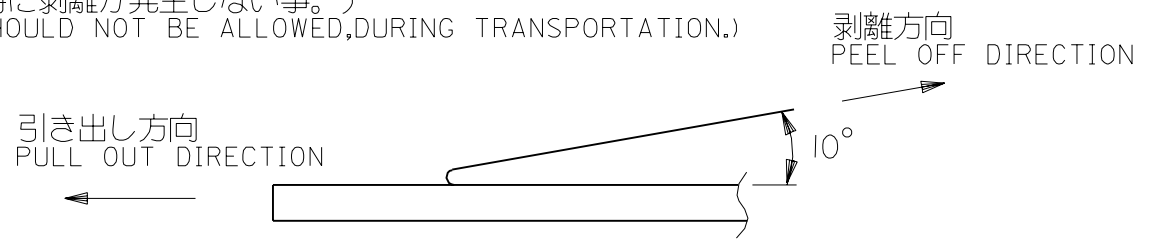
注)  
NOTES

- 製品番号500733-1999 詳細寸法については、製品単体図面を参照下さい。  
IN THE PACKAGE PART NUMBER 500733-1999 DETAILED DIMENSIONS, SEE SALES DRAWING FOR CONNECTOR.
- 梱包数量：900個/リール  
NUMBER OF CONNECTORS:900 PCS/REEL.
- リードテープ長さ  
LEAD TAPE LENGTH



- トップテープの剥離強度：(剥離方向は下図参照)  
PEELING OFF FORCE OF TOP TAPE (PELLING DIRECTION AS SHOWN IN FOLLOWING FIGURE.)  
0.1~1.3N (10~130gf)

尚、本規格値は、出荷時に適用。  
THIS REQUIREMENT SHOULD BE APPLIED AT SHIPMENT.  
(但し、輸送時に剥離が発生しない事。)  
(PEEL OFF SHOULD NOT BE ALLOWED,DURING TRANSPORTATION.)



MATERIAL  
キャリアテープ：ポリプロピレン (PP)  
CARRIER TAPE:POLYPROPYLENE(PP)  
トップテープ：PET, PE, PEF  
TOP TAPE:PET,PE,PEF  
リール：ポリスチレン (黒色)  
REEL:POLYSTYRENE(COLOR:BLACK)

無鉛  
LEAD FREE

500733-1991	
MATERIAL NO.	
DIMENSIONS:	SHT REV
<input type="checkbox"/> mm <input type="checkbox"/> INCH <input checked="" type="checkbox"/> mm ONLY	REVISE ON CAD ONLY

DO NOT SCALE DRAWING

EC NO.	DRWN:	CH'K:	APPR:	EC NO.	DRWN:	CH'K:	APPR:	EC NO.	DRWN:	CH'K:	APPR:	EC NO.	DRWN:	CH'K:	APPR:	RELEASED '04/01/28	EC NO. J2004-2145	DRWN:Y.HASEGAWA	CH'K:H.HIRATA	APPR:M.SASAO

MATERIAL 材料	—#—
FINISH 仕上げ	—#—
WIRE RANGE 適用電線範囲	—#—
INS. RANGE 被覆外径	—#—

GENERAL TOLERANCES: (UNLESS SPECIFIED) 一般公差	
10 UNDER 未満	±0.2
10 OVER 以上 30 UNDER 未満	±0.25
30 OVER 以上	±0.3
ANGLE 角度	±3°

SCALE NONE	DESIGN UNITS <input checked="" type="checkbox"/> mm <input type="checkbox"/> INCH
DRAWN BY & DATE Y.HASEGAWA '04/01/28	
CHECKED BY & DATE H.HIRATA '04/01/28	
APPROVED BY & DATE M.SASAO '04/01/28	
CAD FILENAME SD-500733-006.S01	

TITLE: 500733 TAPING PACKAGE	
MOLEX INCORPORATED	
MATERIAL NO. SEE CHART	DRAWING NO. SD-500733-006
SHEET NO. 1 OF 1	
THIS DRAWING CONTAINS INFORMATION THAT IS PROPRIETARY TO MOLEX INCORPORATED AND SHOULD NOT BE USED WITHOUT WRITTEN PERMISSION.	
SIZE B	