



Chipsmall Limited consists of a professional team with an average of over 10 year of expertise in the distribution of electronic components. Based in Hongkong, we have already established firm and mutual-benefit business relationships with customers from,Europe,America and south Asia,supplying obsolete and hard-to-find components to meet their specific needs.

With the principle of “Quality Parts,Customers Priority,Honest Operation,and Considerate Service”,our business mainly focus on the distribution of electronic components. Line cards we deal with include Microchip,ALPS,ROHM,Xilinx,Pulse,ON,Everlight and Freescale. Main products comprise IC,Modules,Potentiometer,IC Socket,Relay,Connector.Our parts cover such applications as commercial,industrial, and automotives areas.

We are looking forward to setting up business relationship with you and hope to provide you with the best service and solution. Let us make a better world for our industry!



## Contact us

Tel: +86-755-8981 8866 Fax: +86-755-8427 6832

Email & Skype: info@chipsmall.com Web: www.chipsmall.com

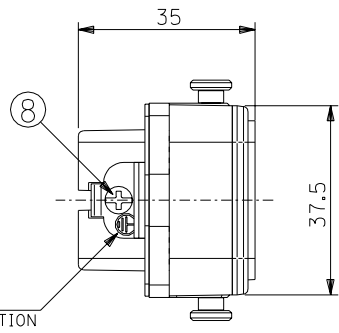
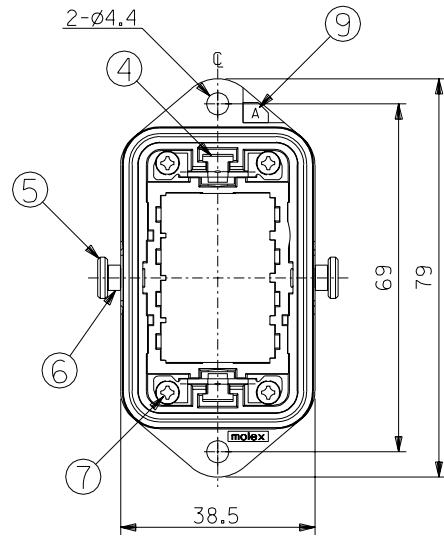
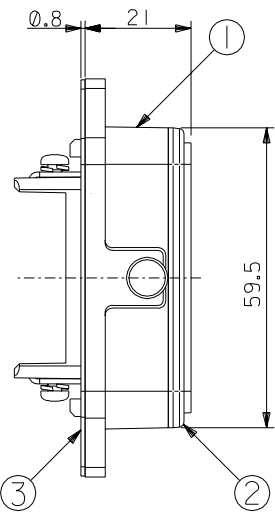
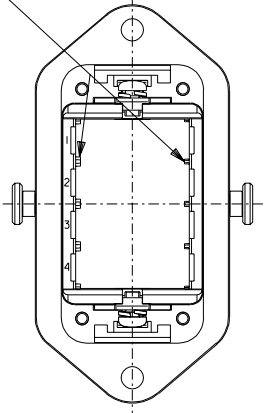
Address: A1208, Overseas Decoration Building, #122 Zhenhua RD., Futian, Shenzhen, China



DWG. NO. SD-500809-001

DO NOT SCALE DRAWING

ハウジング挿入方向キー  
POLARIZATIONS KEY FOR HOUSING



PEマーク表示  
PE MARK IDENTIFICATION

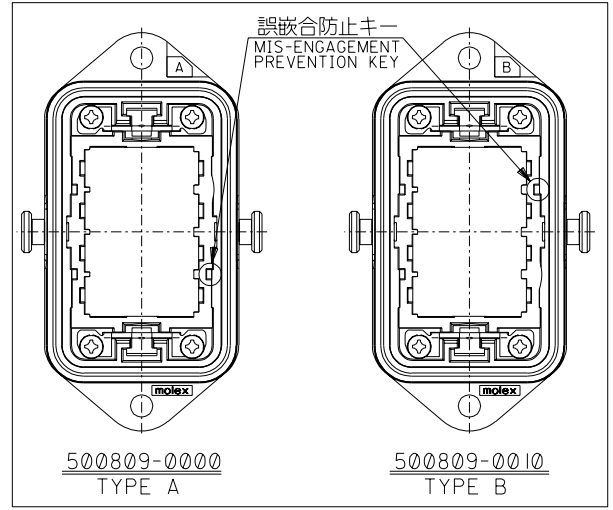
注記:  
NOTES:

1. 適用ハウジングとターミナル  
APPLICABLE HOUSING AND TERMINAL

適用ハウジング APPLICABLE HOUSING		適用ターミナル APPLICABLE TERMINAL	
ピンハウジング PIN HOUSING	500812-1000	56118-8***	56119-8***
ソケットハウジング SOCKET HOUSING	500813-1000	56120-8***	56121-8***

- M3ねじ推奨締め付トルク: 5~6kgf・cm  
M3 SCREW RECOMMENDED TIGHTENING TORQUE
- パネル切り取り寸法は, DWG No. SD-500811-001による。  
THE PANEL CUTOUT SIZE IS SHOWN IN SD-500811-001.
- 適用グラウンド圧着端子  
APPLICABLE CRIMP TERMINAL FOR GROUND  
活線と同等かそれ以上の電線サイズに適用した圧着端子を使用。  
RING TERMINAL FOR POWER WIRE SIZE OR BIGGER ONE.
- 適用ダストカバー: 500914-0001  
APPLICABLE DUST COVER: 500914-0001

部番 No.	部品名 PART NAME	数量 QTY.	材質 MATERIAL	記事 ARTICLE
①	リセプタクル シェル RECEPTACLE SHELL	1	アルミニウム合金 ALUMINIUM ALLOY	—
②	アッパー ラバー UPPER RUBBER	1	ニトリルゴム NBR	—
③	ローラー ラバー LOWER RUBBER	1	ニトリルゴム NBR	—
④	リセプタクル グランド ターミナル RECEPTACLE GROUND TERMINAL	2	黄銅 BRASS	Niメッキ Ni PLATING
⑤	リセプタクル ロックピン RECEPTACLE LOCKING PIN	2	ステンレス STAINLESS STEEL	—
⑥	スリーブ SLEEVE	2	ステンレス STAINLESS STEEL	—
⑦	ばね座金組込みねじ (M2.5×6) CROSS RECESSED HEAD SCREWS WITH SPRING WASHER (M2.5×6)	4	鋼 STEEL	Niメッキ Ni PLATING
⑧	ばね座金組込みプライめねじ (M3×5) FREE DRIVE HEAD SCREWS WITH SPRING WASHER (M3×5)	2	鋼 STEEL	Niメッキ Ni PLATING
⑨	ラベル LABEL	1	ポリエステル POLYESTER	—



B	500809-0010	500809-00*0
A	500809-0000	
TYPE	MATERIAL NO.	MODEL NO.

EC NO. DRWN: CHK: APPR:	EC NO. DRWN: CHK: APPR:	EC NO. DRWN: CHK: APPR:	REVISED '03/10/07 EC NO. J2004-0781 DRWN: S.AKIYAMA CHK: N.MATSUURA APPR: YO.ITO	REVISED '03/07/02 EC NO. J2004-0013 DRWN: S.AKIYAMA CHK: J.MIYAZAWA APPR: YO.ITO	DESCRIPTION
			A	0	
					表参照 SEE TABLE
					FINISH 仕上げ
					WIRE RANGE 適用電線範囲
					INS. RANGE 被覆外径

MATERIAL 材料	表参照 SEE TABLE
FINISH 仕上げ	—
WIRE RANGE 適用電線範囲	—
INS. RANGE 被覆外径	—

GENERAL TOLERANCES: (UNLESS SPECIFIED) 一般公差	
10 UNDER 未満	±0.2
10 OVER 30 UNDER 以上 未満	±0.25
30 OVER 以上	±0.3
ANGLE 角度	±3°

SCALE	DESIGN UNITS <input checked="" type="checkbox"/> mm <input type="checkbox"/> INCH
DRAWN BY & DATE 未済	S. Akigama '03/06/25
CHECKED BY & DATE	J. Mizuno '03/07/02
APPROVED BY & DATE	Y. Ito '03/07/02
CAD FILENAME	SD-500809-001.S01

DIMENSIONS: <input type="checkbox"/> mm <input type="checkbox"/> INCH <input checked="" type="checkbox"/> mm ONLY		SHT	REV
THIRD ANGLE PROJECTION			REVISE ON CAD ONLY
TITLE: MINI ROBOT CONN. 40P RECEPTACLE SHELL ASS'Y			
MOLEX MOLEX INCORPORATED			
MATERIAL NO.	DRAWING NO.	SHEET NO.	
SEE CHART	SD-500809-001	1 OF 1	
THIS DRAWING CONTAINS INFORMATION THAT IS PROPRIETARY TO MOLEX INCORPORATED AND SHOULD NOT BE USED WITHOUT WRITTEN PERMISSION.			SIZE B