



Chipsmall Limited consists of a professional team with an average of over 10 year of expertise in the distribution of electronic components. Based in Hongkong, we have already established firm and mutual-benefit business relationships with customers from,Europe,America and south Asia,supplying obsolete and hard-to-find components to meet their specific needs.

With the principle of “Quality Parts,Customers Priority,Honest Operation,and Considerate Service”,our business mainly focus on the distribution of electronic components. Line cards we deal with include Microchip,ALPS,ROHM,Xilinx,Pulse,ON,Everlight and Freescale. Main products comprise IC,Modules,Potentiometer,IC Socket,Relay,Connector.Our parts cover such applications as commercial,industrial, and automotives areas.

We are looking forward to setting up business relationship with you and hope to provide you with the best service and solution. Let us make a better world for our industry!



Contact us

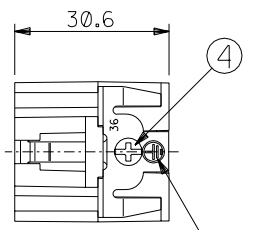
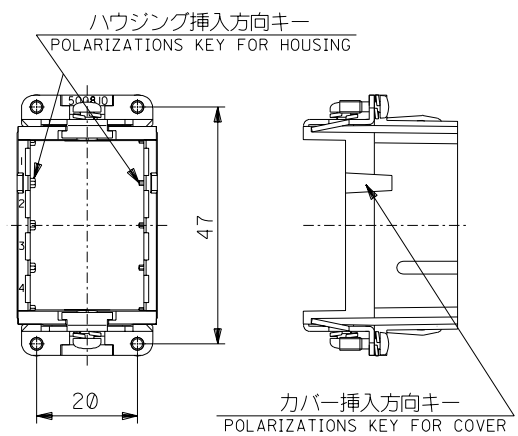
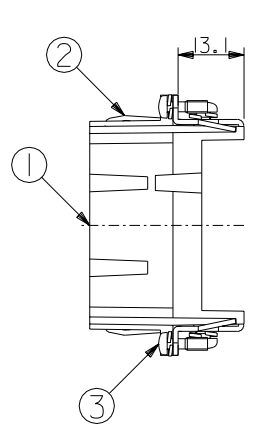
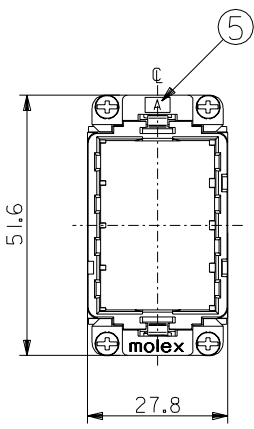
Tel: +86-755-8981 8866 Fax: +86-755-8427 6832

Email & Skype: info@chipsmall.com Web: www.chipsmall.com

Address: A1208, Overseas Decoration Building, #122 Zhenhua RD., Futian, Shenzhen, China



DWG. NO. SD-500810-001



PEマーク表示
PE MARK IDENTIFICATION

注記:
NOTES:

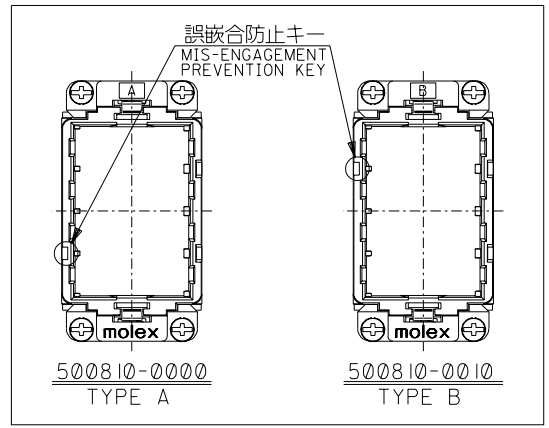
- 適用プラグカバーアッセンブリ
APPLICABLE PLUG COVER ASS'Y
ストレートタイプ : 500811-0010
STRAIGHT TYPE
- 適用ハウジングとターミナル
APPLICABLE HOUSING AND TERMINAL

適用ハウジング APPLICABLE HOUSING	適用ターミナル APPLICABLE TERMINAL
ピンハウジング PIN HOUSING	56118-8*** 56119-8***
ソケットハウジング SOCKET HOUSING	56120-8*** 56121-8***

- 推奨ねじ締め付ケトルク:
RECOMMENDED TIGHTENING TORQUE
① M3 : 5~6kgf・cm
② M2.5 : 4~5kgf・cm

- 適用グラウンド圧着端子
APPLICABLE CRIMP TERMINAL FOR GROUND
活線と同等かそれ以上の電線サイズに適用した圧着端子を使用。
RING TERMINAL FOR POWER WIRE SIZE OR BIGGER ONE.

部番 No.	部品名 PART NAME	数量 QTY.	材質 MATERIAL	記事 ARTICLE
①	プラグ シェル PLUG SHELL	1	アルミニウム合金 ALUMINIUM ALLOY	—
②	プラグ グラウンド ターミナル PLUG GROUND TERMINAL	2	黄銅 BRASS	Niメッキ Ni PLATING
③	ばね座金組込みプラマイねじ(M2.5×8) FREE DRIVE HEAD SCREWS WITH SPRING WASHER (M2.5×8)	4	鋼 STEEL	Niメッキ Ni PLATING
④	ばね座金組込みプラマイねじ(M3×5) FREE DRIVE HEAD SCREWS WITH SPRING WASHER (M3×5)	2	鋼 STEEL	Niメッキ Ni PLATING
⑤	ラベル LABEL	1	ポリエステル POLYESTER	—



B	500810-0010	500810-00*0
A	500810-0000	
TYPE	MATERIAL NO.	MODEL NO.

DO NOT SCALE DRAWING

EC NO. DRWN: CHK: APPR:	EC NO. DRWN: CHK: APPR:	EC NO. DRWN: CHK: APPR:	EC NO. DRWN: CHK: APPR:	EC NO. DRWN: CHK: APPR:	REV
					0

MATERIAL 材料	表参照 SEE TABLE
FINISH 仕上げ	—
WIRE RANGE 適用電線範囲	—
INS. RANGE 被覆外径	—

GENERAL TOLERANCES: (UNLESS SPECIFIED) 一般公差	SCALE	DESIGN UNITS □mm □INCH	
10 UNDER 未満	DRAWN BY & DATE <i>S. Akigama</i> '03/06/25	THIRD ANGLE PROJECTION	
10 OVER 30 UNDER 以上 未満			CHECKED BY & DATE <i>J. Murozumi</i> '03/07/02
30 OVER 以上			APPROVED BY & DATE <i>Y. Ota</i> '03/07/02
ANGLE 角度	CAD FILENAME SD-500810-001.S01	TITLE: MINI ROBOT CONN. 40P PLUG SHELL ASS'Y	

DIMENSIONS:		SHT	REV
<input type="checkbox"/> mm	<input type="checkbox"/> INCH		
<input checked="" type="checkbox"/> mm ONLY			REVISE ON CAD ONLY
MATERIAL NO.		DRAWING NO.	SHEET NO.
SEE CHART		SD-500810-001	1 OF 1
THIS DRAWING CONTAINS INFORMATION THAT IS PROPRIETARY TO MOLEX INCORPORATED AND SHOULD NOT BE USED WITHOUT WRITTEN PERMISSION.			SIZE B