



Chipsmall Limited consists of a professional team with an average of over 10 year of expertise in the distribution of electronic components. Based in Hongkong, we have already established firm and mutual-benefit business relationships with customers from,Europe,America and south Asia,supplying obsolete and hard-to-find components to meet their specific needs.

With the principle of “Quality Parts,Customers Priority,Honest Operation,and Considerate Service”,our business mainly focus on the distribution of electronic components. Line cards we deal with include Microchip,ALPS,ROHM,Xilinx,Pulse,ON,Everlight and Freescale. Main products comprise IC,Modules,Potentiometer,IC Socket,Relay,Connector.Our parts cover such applications as commercial,industrial, and automotives areas.

We are looking forward to setting up business relationship with you and hope to provide you with the best service and solution. Let us make a better world for our industry!



Contact us

Tel: +86-755-8981 8866 Fax: +86-755-8427 6832

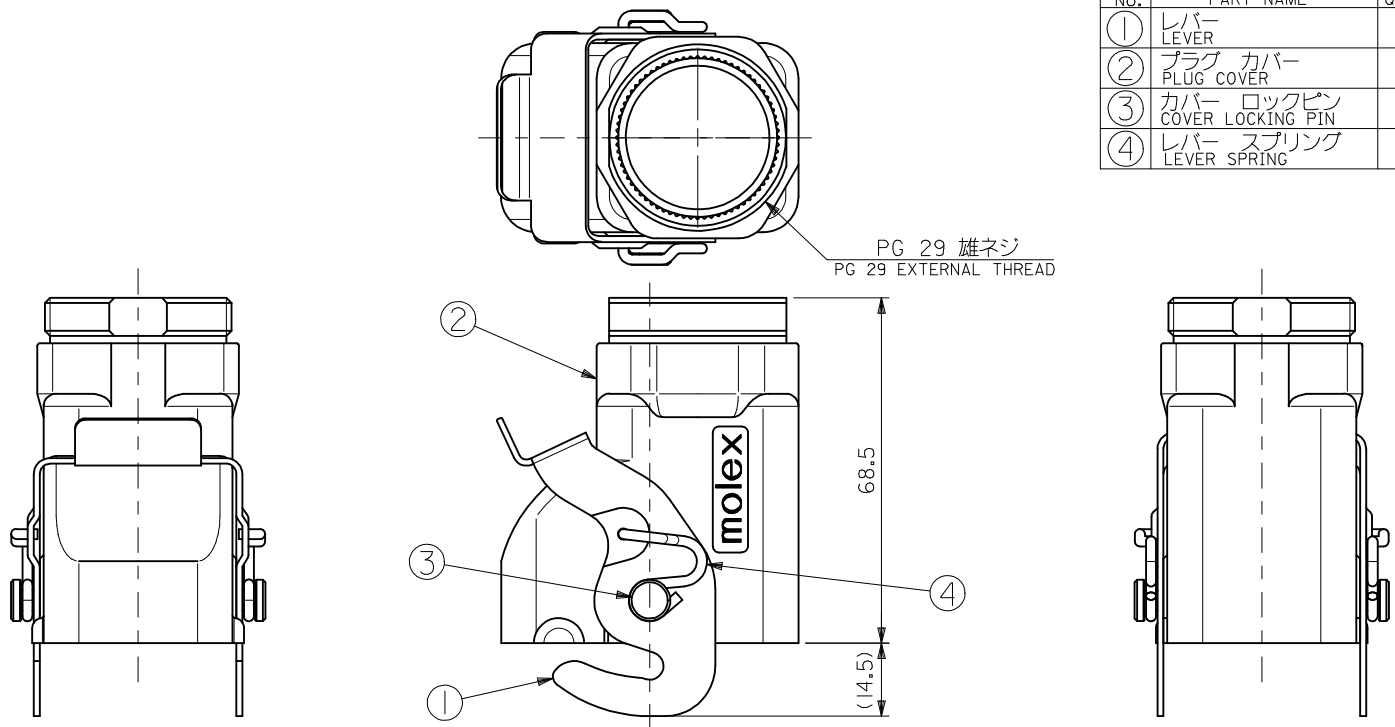
Email & Skype: info@chipsmall.com Web: www.chipsmall.com

Address: A1208, Overseas Decoration Building, #122 Zhenhua RD., Futian, Shenzhen, China

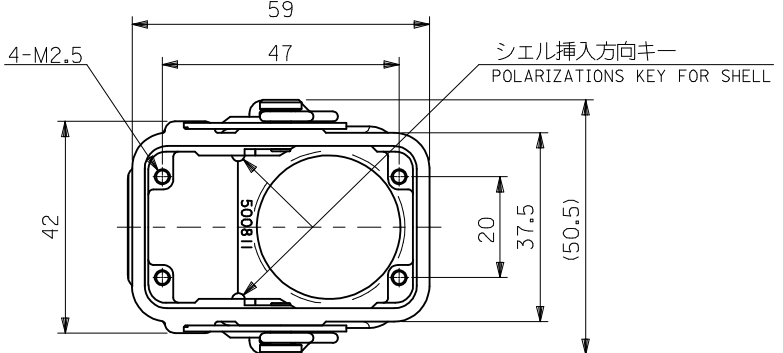


10 9 8 7 6 5 4 3 2 1

部番 No.	部品名 PART NAME	数量 QTY.	材質 MATERIAL	記事 ARTICLE
①	レバー LEVER	1	鋼 STEEL	塗装処理 PAINTING
②	プラグ カバー PLUG COVER	1	アルミニウム合金 ALUMINIUM ALLOY	—#—
③	カバー ロックピン COVER LOCKING PIN	2	ステンレス STEEL	—#—
④	レバー スプリング LEVER SPRING	2	ステンレス STEEL	—#—



- 注記 :
NOTES.
- 適用プラグシェルアッセンブリ
APPLICABLE PLUG SHELL ASS'Y
1.) TYPE A : 500810-0000
2.) TYPE B : 500810-0010
 - 適用エンドベルキャップセット
APPLICABLE END BELL CAP SET
58550-****



500811-0010	500811-****
MATERIAL NO.	MODEL NO.

REVISED EC NO: J2009-0816 DRWN: YMAEDA 2008/11/05 CHKD: NUKITA 2008/12/19 APPR: NUKITA 2008/12/19	GENERAL TOLERANCES (UNLESS SPECIFIED)		DIMENSION STYLE MM ONLY		SCALE ---	DESIGN UNITS METRIC	THIRD ANGLE PROJECTION
	10 UNDER	±0.2	DRAWN BY SAKIYAMA	DATE 2003/06/25	TITLE MINI ROBOT CONN. 40P STRAIGHT PLUG COVER ASS'Y		
	10 OVER 30 UNDER	±0.25	CHECKED BY JMIYAZAWA	DATE 2003/07/02	MOLEX INCORPORATED		
	30 OVER	±0.3	APPROVED BY YITO	DATE 2003/07/02	MATERIAL NO. SEE CHART DOCUMENT NO. SD-500811-001 SHEET NO. 1 OF 2		
ANGULAR ±3 °		DRAFT WHERE APPLICABLE MUST REMAIN WITHIN DIMENSIONS		THIS DRAWING CONTAINS INFORMATION THAT IS PROPRIETARY TO MOLEX INCORPORATED AND SHOULD NOT BE USED WITHOUT WRITTEN PERMISSION			

注記:
NOTES:

関連図面

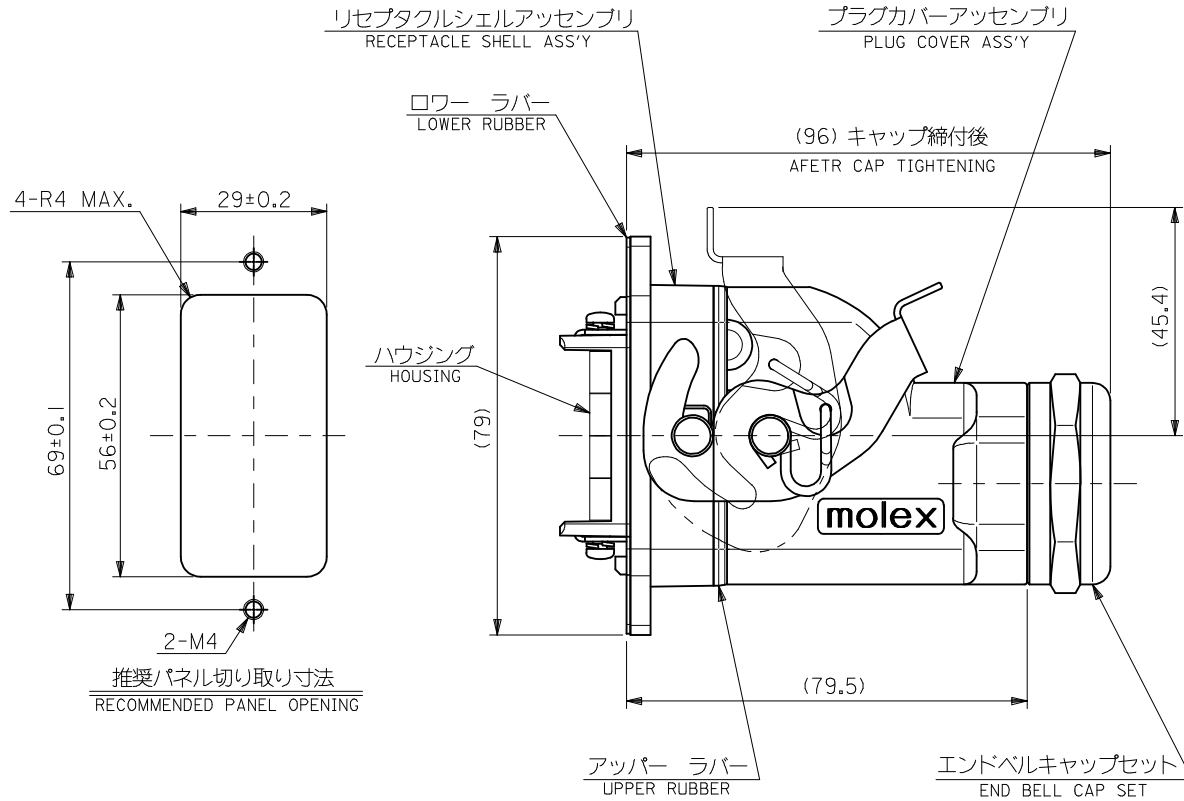
RELATION DRAWING

- ・リセプタクルシェルアッセンブリ : SD-500809-001
RECEPTACLE SHELL ASS'Y
- ・プラグシェルアッセンブリ : SD-500810-001
PLUG SHELL ASS'Y
- ・カバーアッセンブリ : SD-500811-001
PLUG COVER ASS'Y
- ・エンドベルキャップセット : SD-58550-****
END BELL CAP SET
- ・ピンハウジング : SD-500812-001
PIN HOUSING
- ・ソケットハウジング : SD-500813-001
SOCKET HOUSING
- ・ターミナル (ピン) : SD-56118/56119-001
TERMINAL (PIN)
- ・ターミナル (ソケット) : SD-56120/56121-002
TERMINAL (SOCKET)

関連規格

RELATION NORMATIVE

- VDE0110 250V 汚染度 III
過電圧カテゴリー II に適合
APPLICABLE 250V POLLUTION DEGREE III
AND OVER VOLTAGE CATEGORY II
- 保護等級 IP65
DEGREE OF PROTECTION



REVISED EC NO: J2009-0816 DRWN: YMAEDA 2008/11/05 CHKD: NUKITA 2008/12/19 APPR: NUKITA 2008/12/19	GENERAL TOLERANCES (UNLESS SPECIFIED)		DIMENSION STYLE MM ONLY	SCALE ---	DESIGN UNITS METRIC	THIRD ANGLE PROJECTION
	10 UNDER	±0.2	DRAWN BY SAKIYAMA	DATE 2003/06/25	TITLE MINI ROBOT CONN. 40P STRAIGHT PLUG COVER ASS'Y	
	10 OVER 30 UNDER	±0.25	CHECKED BY JMIYAZAWA	DATE 2003/07/02	MOLEX MOLEX INCORPORATED	
	30 OVER	±0.3	APPROVED BY YITO	DATE 2003/07/02	MATERIAL NO. SEE CHART	DOCUMENT NO. SD-500811-001
A	ANGULAR ±3 ° DRAFT WHERE APPLICABLE MUST REMAIN WITHIN DIMENSIONS		THIS DRAWING CONTAINS INFORMATION THAT IS PROPRIETARY TO MOLEX INCORPORATED AND SHOULD NOT BE USED WITHOUT WRITTEN PERMISSION			