



Chipsmall Limited consists of a professional team with an average of over 10 year of expertise in the distribution of electronic components. Based in Hongkong, we have already established firm and mutual-benefit business relationships with customers from,Europe,America and south Asia,supplying obsolete and hard-to-find components to meet their specific needs.

With the principle of “Quality Parts,Customers Priority,Honest Operation,and Considerate Service”,our business mainly focus on the distribution of electronic components. Line cards we deal with include Microchip,ALPS,ROHM,Xilinx,Pulse,ON,Everlight and Freescale. Main products comprise IC,Modules,Potentiometer,IC Socket,Relay,Connector.Our parts cover such applications as commercial,industrial, and automotives areas.

We are looking forward to setting up business relationship with you and hope to provide you with the best service and solution. Let us make a better world for our industry!



Contact us

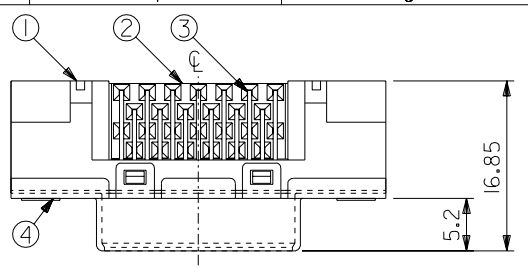
Tel: +86-755-8981 8866 Fax: +86-755-8427 6832

Email & Skype: info@chipsmall.com Web: www.chipsmall.com

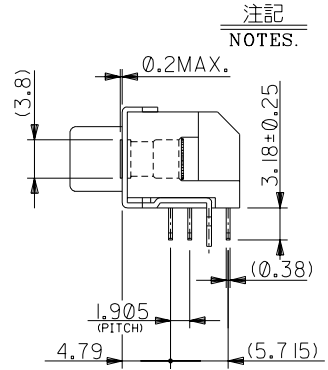
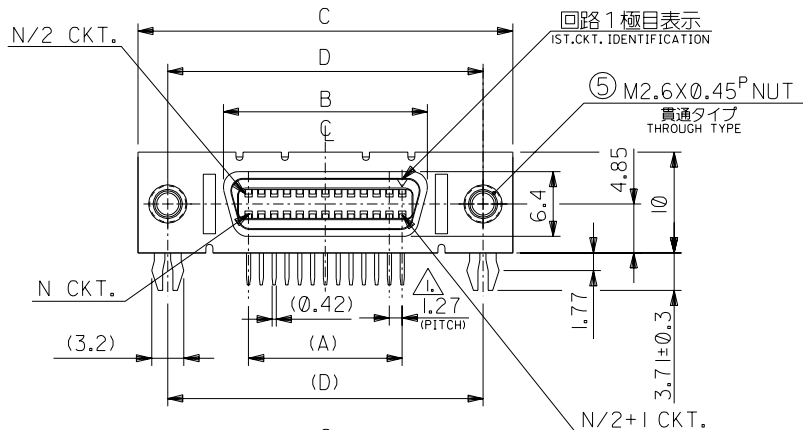
Address: A1208, Overseas Decoration Building, #122 Zhenhua RD., Futian, Shenzhen, China



DWG. NO. SD-500815-002

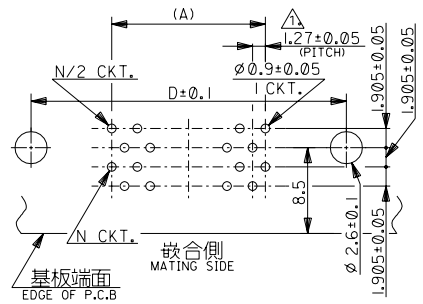
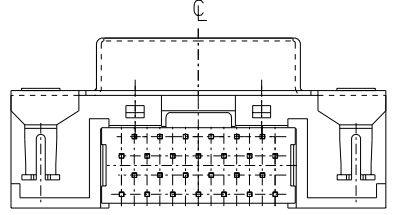


NO.	部品名 PART NAME	材質 MATERIAL	仕上げ FINISH
①	リセプタクル ハウジング RECEPTACLE HOUSING	ガラス入りPBT、黒色、UL94V-0 G.F. PBT, BLACK, UL94V-0	—
②	ガイドプレート GUIDE PLATE	ガラス入りPBT、黒色、UL94V-0 G.F. PBT, BLACK, UL94V-0	—
③	リセプタクル ターミナル RECEPTACLE TERMINAL	りん青銅 PHOSPHOR BRONZE	③
④	シェル SHELL	鋼材 STEEL	下地メッキ UNDER PLATING 仕上げメッキ FINISH PLATING
⑤	ロックナット LOCK NUT	黄銅 COPPER	—

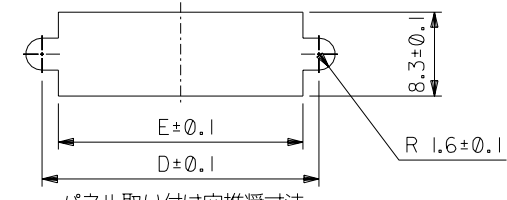


注記
NOTES.

- ① 公差非累積
NON CUMULATIVE TOLERANCE
- 2. 推奨基板厚 : $t=1.6\pm0.2$
RECOMMENDED P.C.B. THICKNESS : $t=1.6\pm0.2$
- ③ ターミナル メッキ仕様
TERMINAL PLATING
金メッキ : $0.3\ \mu\text{m}$ MIN. (接点部)
GOLD : $0.3\ \mu\text{m}$ MIN. (CONTACT AREA)
錫メッキ : $1.0\ \mu\text{m}$ MIN. (半田付け部)
TIN : $1.0\ \mu\text{m}$ MIN. (SOLDER AREA)
ニッケルメッキ : $1.0\ \mu\text{m}$ MIN. (下地メッキ)
NICKEL : $1.0\ \mu\text{m}$ MIN. (UNDER PLATING)
- 4. パネル締め付けトルク : 29.4~39.2 N・cm (3~4 kgf・cm)
SCREW TIGHTENING TORQUE : 29.4~39.2 N・cm (3~4 kgf・cm)



基板穴推奨寸法 (部品実装側)
RECOMMENDED P.C.B. LAYOUT (COMPONENT SIDE)



パネル取り付け穴推奨寸法
RECOMMENDED PANEL OPENING

43.3	46.5	52.4	35.48	30.48	500815-****	500815-5018	50
E	D	C	B	A	MODEL NO.	製品番号 MATERIAL NO.	極数 CKT.

DO NOT SCALE DRAWING

EC NO. DRWN: CHK: APPR:	EC NO. DRWN: CHK: APPR:	EC NO. DRWN: CHK: APPR:	REVISED EC NO. J2004-3487 DRWN: N.YOSHIDA '04/03/31 CHK: M.YAGI APPR: J.MIYAZAWA	RELEASED EC NO. J2004-2516 DRWN: N.YOSHIDA '04/02/20 CHK: M.YAGI APPR: J.MIYAZAWA	DESCRIPTION	MATERIAL 材料
			A	0		
					FINISH 仕上げ	
					WIRE RANGE 適用線径範囲	
					INS. RANGE 被覆外径	

GENERAL TOLERANCES: (UNLESS SPECIFIED) 一般公差		SCALE 2=1	DESIGN UNITS <input checked="" type="checkbox"/> mm <input type="checkbox"/> INCH	THIRD ANGLE PROJECTION	DIMENSIONS: <input type="checkbox"/> mm <input type="checkbox"/> INCH <input type="checkbox"/> mm ONLY	SHT REVISE ON CAD ONLY
10 UNDER 未満	±0.2	DRAWN BY & DATE N.YOSHIDA '04/02/20		TITLE: 1.27 1/0 R/A DIP REC. ASS'Y -LEAD FREE-		
10 OVER 以上	±0.25	CHECKED BY & DATE		MOLEX MOLEX INCORPORATED		
30 UNDER 未満	±0.3	APPROVED BY & DATE		CAD FILENAME SD-500815-002.S01	MATERIAL NO. SEE CHART	DRAWING NO. SD-500815-002
30 OVER 以上	±0.3	ANGLE 角度		3°	SHEET NO. 1 OF 1	
RELEASED		THIS DRAWING CONTAINS INFORMATION THAT IS PROPRIETARY TO MOLEX INCORPORATED AND SHOULD NOT BE USED WITHOUT WRITTEN PERMISSION.				SIZE B

SD-500815-002-501