



Chipsmall Limited consists of a professional team with an average of over 10 year of expertise in the distribution of electronic components. Based in Hongkong, we have already established firm and mutual-benefit business relationships with customers from,Europe,America and south Asia,supplying obsolete and hard-to-find components to meet their specific needs.

With the principle of "Quality Parts,Customers Priority,Honest Operation,and Considerate Service",our business mainly focus on the distribution of electronic components. Line cards we deal with include Microchip,ALPS,ROHM,Xilinx,Pulse,ON,Everlight and Freescale. Main products comprise IC,Modules,Potentiometer,IC Socket,Relay,Connector.Our parts cover such applications as commercial,industrial, and automotives areas.

We are looking forward to setting up business relationship with you and hope to provide you with the best service and solution. Let us make a better world for our industry!



## Contact us

Tel: +86-755-8981 8866 Fax: +86-755-8427 6832

Email & Skype: info@chipsmall.com Web: www.chipsmall.com

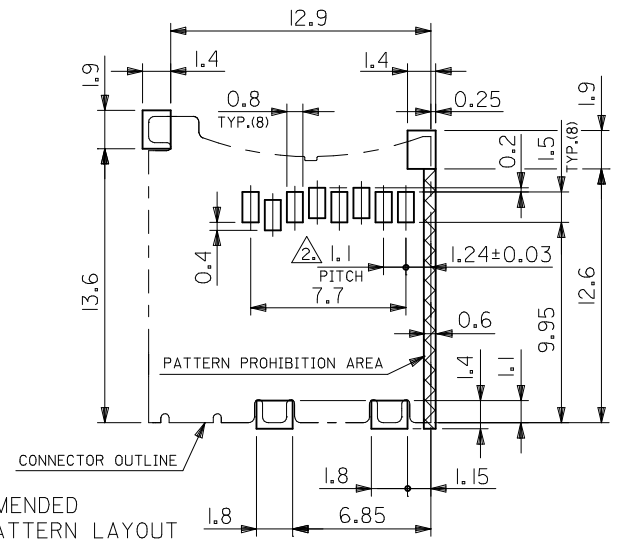
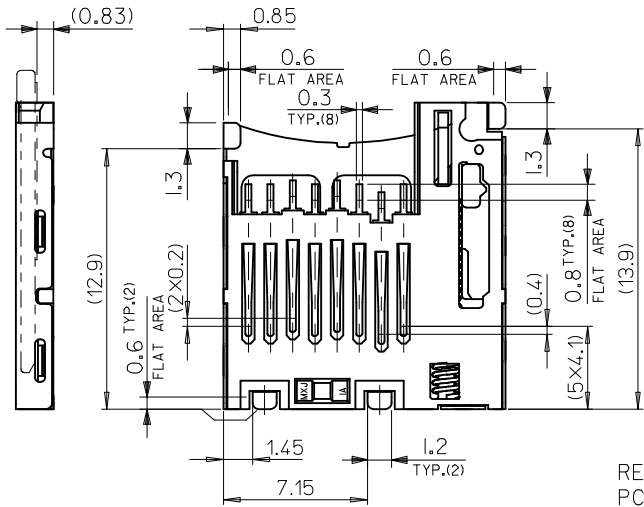
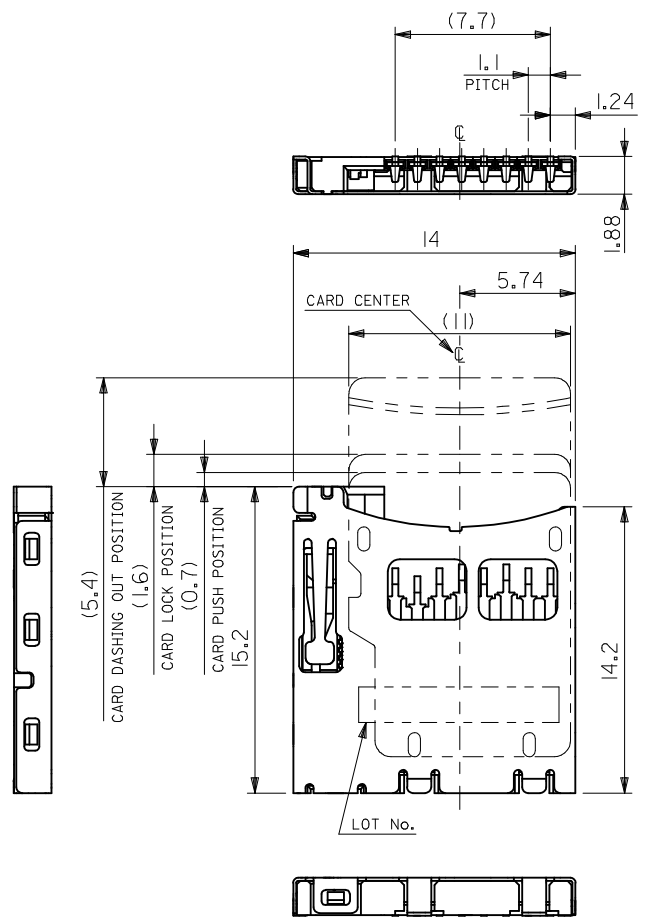
Address: A1208, Overseas Decoration Building, #122 Zhenhua RD., Futian, Shenzhen, China



10 9 8 7 6 5 4 3 2 1

CONFIDENTIAL

PARTS	QTY	MATERIAL	FINISH
ハウジング HOUSING	1	ガラス入り耐熱樹脂 (LCP), UL94V-0 色:黒 HEAT RESISTANCE POLYMER (LCP), UL94V-0, BLACK	—
スライダーカム SLIDER CAM	1	ガラス入り耐熱樹脂 (LCP), UL94V-0 色:黒 HEAT RESISTANCE POLYMER (LCP), UL94V-0, BLACK	—
ターミナル TERMINAL	8	コルソン銅 CORSON COPPER	接点部:金メッキ 0.5μm MIN. CONTACT AREA: GOLD 0.5μm MIN. 下地:ニッケルメッキ 2.0μm MIN. UNDER PLATING: NICKEL 2.0μm MIN. 半田付け部:錫メッキ 1.0μm MIN. SOLDER AREA: TIN 1.0μm MIN.
メタルカバー METAL COVER	1	洋白 NICKEL SILVER	—
ピン PIN	1	ステンレス鋼 STAINLESS STEEL	—
スプリング SPRING	1	ピアノ線 SWP	全面:ニッケルメッキ ALL OVER: NICKEL



RECOMMENDED PCB PATTERN LAYOUT  
(GENERAL TOLERANCE : ±0.05)

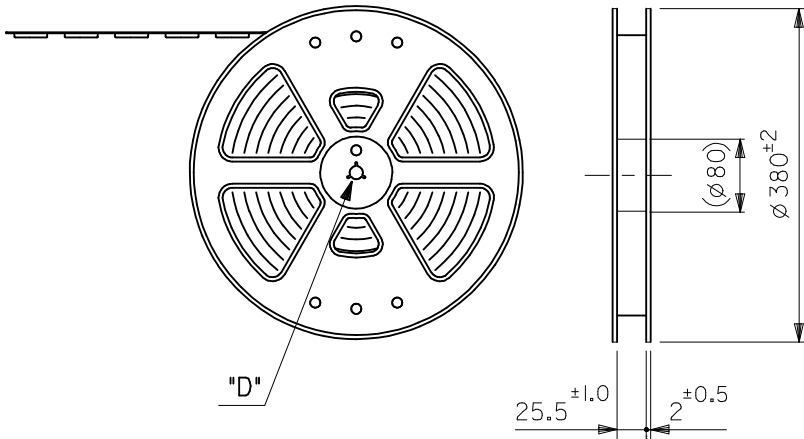
NOTES

- 1. ターミナル及びネイルの平坦度は 0.1 MAX.  
TERMINAL AND NAIL COPLANARITY TO BE 0.1 MAX.
- 公差非累積  
TOLERANCE : NON-CUMULATIVE

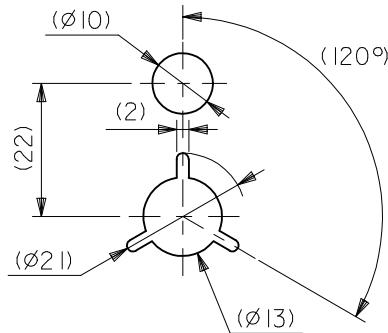
EMBOSSSED TAPE	500873-0816	500873-08**
CONNECTOR ONLY	500873-0817	
PACKAGE	MATERIAL No.	MODEL No.

PROPOSED EC NO: J2010-0622 DRWN:TFUJIKAWA 2009/09/25 CHKD:NUKITA APPR:NUKITA	GENERAL TOLERANCES (UNLESS SPECIFIED)		DIMENSION STYLE MM ONLY		SCALE 4:1	DESIGN UNITS METRIC	THIRD ANGLE PROJECTION
	10 UNDER	±0.2	DRAWN BY TFUJIKAWA	DATE 2009/07/17	TFR MEMORY CARD CONN. PUSH/PUSH NORMAL TYPE  <b>MOLEX</b> MOLEX INCORPORATED SEE CHART SD-500873-011 SHEET NO. 1 OF 1		
	10 OVER 30 UNDER	±0.25	CHECKED BY MTOMITA	DATE 2009/07/17			
	30 OVER	±0.3	APPROVED BY NUKITA	DATE 2009/07/17			
	ANGULAR ±3 °		MATERIAL NO.	DOCUMENT NO.			
DRAFT WHERE APPLICABLE MUST REMAIN WITHIN DIMENSIONS		SIZE A3					

引き出し方向  
PULL OUT DIRECTION



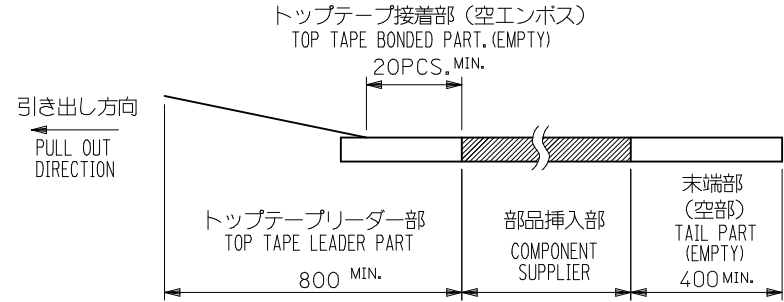
"D"



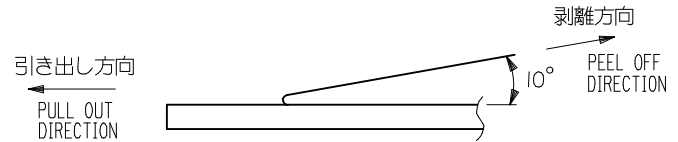
DETAIL "D"

NOTES

1. 製品詳細寸法については、SD図面を参照下さい。  
RE DETAILED DIMENSION, SEE SALES DRAWING.
2. 梱包数量：1400 個/リール  
NUMBER OF CONNECTORS：1400PCS/REEL
3. リードテープ長さ LEAD TAPE LENGTH



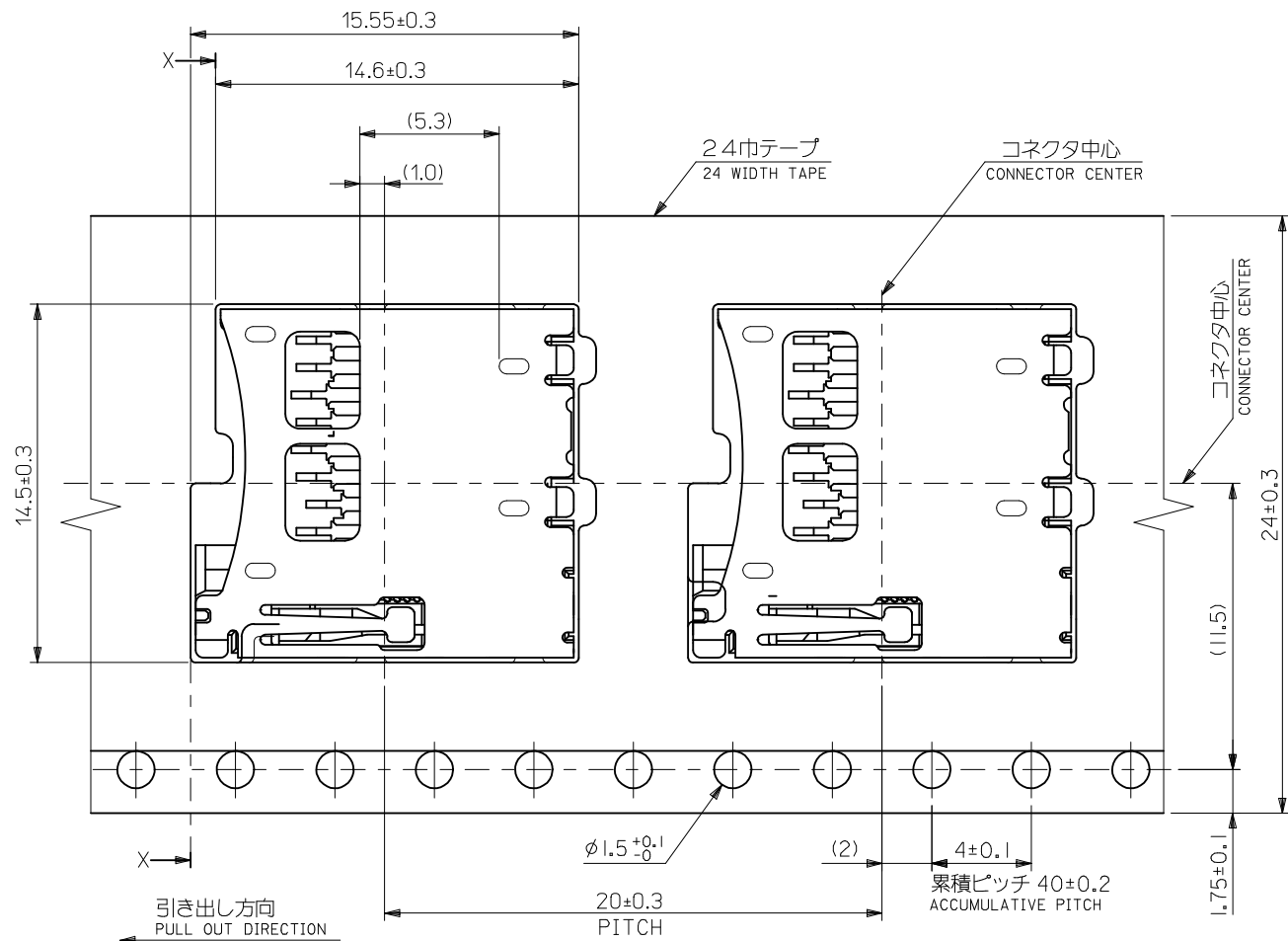
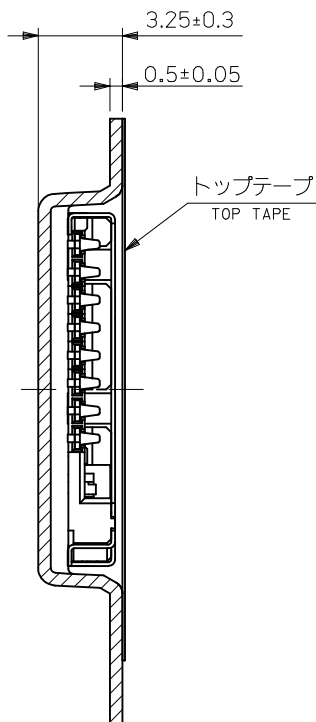
4. トップテープの剥離強度：0.1N～1.3N (10.2gf～130gf) (剥離方向は下図参照)  
尚、本規格値は出荷時に適用。(但し、輸送時に剥離が発生しないこと。)  
PEELING OFF FORCE OF TOP TAPE：0.1N～1.3N (10.2gf～130gf)  
(PEELING DIRECTION AS SHOWN IN FOLLOWING FIG.)  
THIS REQUIREMENT SHOULD BE APPLIED AT SHIPMENT.  
PEEL OFF SHOULD NOT BE ALLOWED , DURING TRANSPORTATION.



5. 材料 (MATERIAL)  
キャリアテープ (CARRIER TAPE)：ポリスチレン (POLYSTYRENE)  
トップテープ (TOPTAPE)：PET, PE, PEF  
リール (REEL)：ポリスチレン (PS) <リサイクル材を含む>  
POLYSTYRENE (PS) <RECYCLE MATERIAL CONTAINED>

500873-0817	500873-0816	500873-08**
CONNECTOR NO.	MATERIAL NO.	MODEL NO.

PROPOSED EC NO: J2010-0622 DRWN:TFUJIKAWA 2009/09/25 CHKD:MTOMITA APPR:MTOMITA	DESCRIPTION REV: O	GENERAL TOLERANCES (UNLESS SPECIFIED)		DIMENSION STYLE MM ONLY		SCALE ---	DESIGN UNITS METRIC	THIRD ANGLE PROJECTION	
		10 UNDER	±0.2	DRAWN BY TFUJIKAWA	DATE 2009/07/17	TITLE TFR CARD CONN. EMBOSSD TAPE PACKAGE			
		10 OVER 30 UNDER	±0.25	CHECKED BY MTOMITA	DATE 2009/07/17	MATERIAL NO. 500873-0816			
		30 OVER	±0.3	APPROVED BY NUKITA	DATE 2009/07/17	DOCUMENT NO. SD-500873-012			
ANGULAR ±3 °		DRAFT WHERE APPLICABLE MUST REMAIN WITHIN DIMENSIONS		SIZE A3		THIS DRAWING CONTAINS INFORMATION THAT IS PROPRIETARY TO MOLEX INCORPORATED AND SHOULD NOT BE USED WITHOUT WRITTEN PERMISSION			



<b>PROPOSED</b> EC NO: J2010-0622 DRWN: FUJIKAWA 2009/09/25 CHKD: MTOMITA APPR: MTOMITA	GENERAL TOLERANCES (UNLESS SPECIFIED)		DIMENSION STYLE MM ONLY		SCALE ---	DESIGN UNITS METRIC	THIRD ANGLE PROJECTION
	10 UNDER	±0.2	DRAWN BY FUJIKAWA	DATE 2009/07/17	TITLE TFR CARD CONN. EMBOSSD TAPE PACKAGE		
	10 OVER 30 UNDER	±0.25	CHECKED BY MTOMITA	DATE 2009/07/17	MOLEX INCORPORATED		
	30 OVER	±0.3	APPROVED BY NUKITA	DATE 2009/07/17	MATERIAL NO. 500873-0816	DOCUMENT NO. SD-500873-012	SHEET NO. 2 OF 2
	ANGULAR ±3 °		THIS DRAWING CONTAINS INFORMATION THAT IS PROPRIETARY TO MOLEX INCORPORATED AND SHOULD NOT BE USED WITHOUT WRITTEN PERMISSION				
DRAFT WHERE APPLICABLE MUST REMAIN WITHIN DIMENSIONS							